

MICRO SWITCH

FREEPORT ILLINOIS, U.S.A
A DIVISION OF HONEYWELL INC.
FED. MFG. CODE 91929

SWITCH - BASIC

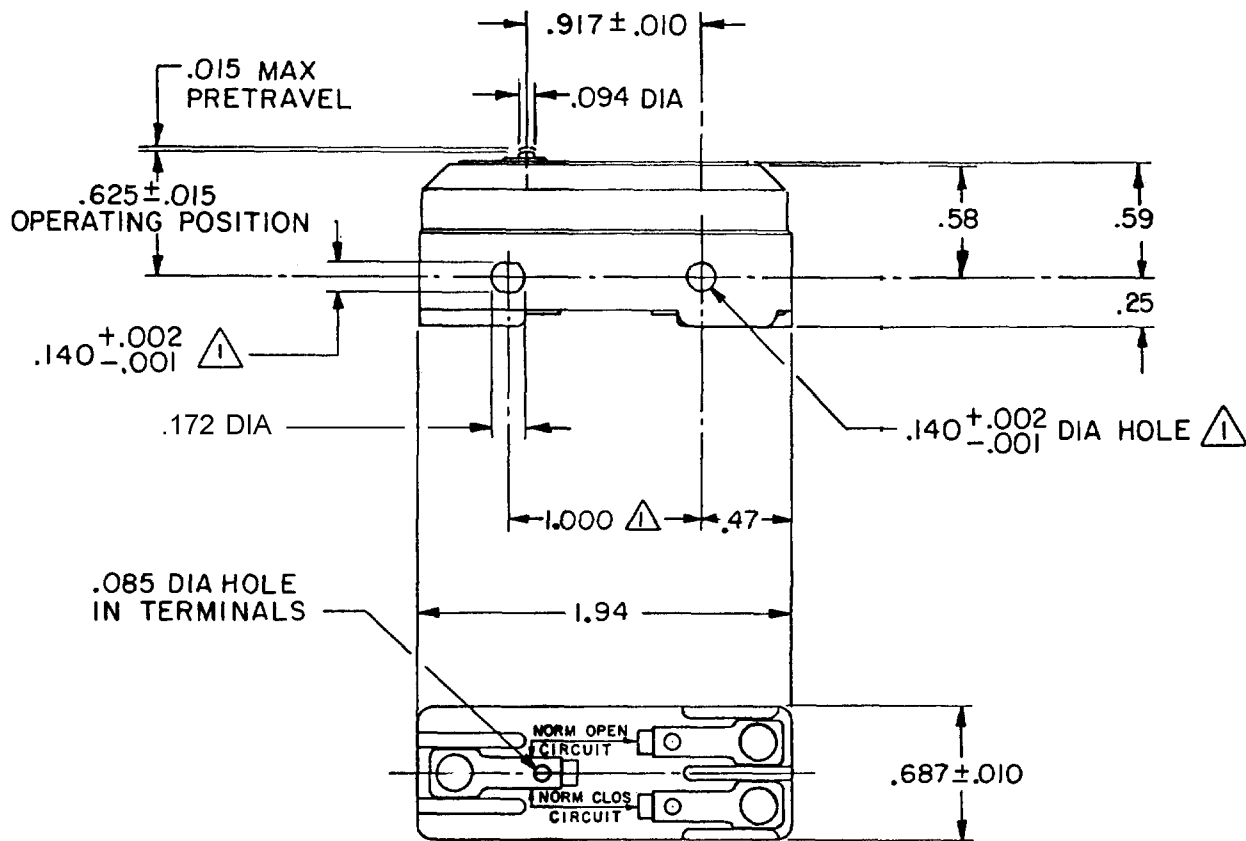
CATALOG LISTING

BZ-R2430

CATALOG LISTING
BZ-R2430
PAGE 1 OF 1
REPLACES
RELEASE NO. PR-17792

M
ISSUE
4

REVISIONS	
A	204121 KED 10 OCT 01
B	204448 CSL 28 NOV 01
C	0033747 MST 12SEP07



- NOTES**
- 1 MOUNTING HOLES WILL ACCEPT PINS OR SCREWS OF .139 MAX DIA ON 1.000±.002 CENTERS
 - 2 - SWITCH WILL WITHSTAND TEMPERATURE OF 250°F

THIS DRAWING COVERS A PROPRIETARY ITEM AND IS THE PROPERTY OF MICRO SWITCH, A DIVISION OF HONEYWELL. THIS DRAWING IS NOT TO BE COPIED OR USED WITHOUT THE APPROVAL OF MICRO SWITCH.

THIRD ANGLE PROJECTION

CHARACTERISTICS	
OPERATING FORCE	7-9 OZ
RELEASE FORCE	4 OZ MIN
DIFFERENTIAL TRAVEL	.00020-.00035
OVERTRAVEL	.005 MIN

ELECTRICAL DATA	
CONTACT ARRANGEMENT S P D T	
L34	
5A 125, 250, OR 480 VAC	

SCALE	FULL	DO NOT SCALE PRINT
UNLESS OTHERWISE SPECIFIED TOLERANCES ARE		
ONE PLACE	(.0)	± .030
TWO PLACE	(.00)	± .015
THREE PLACE	(.000)	± .005
ANGLES		±

FO-52848-B
DRAWN
J A P 15 DEC 89
CHECK DAW 16 DEC '89
CHECK PSR

-L310-

WEIGHT .060 LB