

MICRO SWITCH

FREERPORT ILLINOIS, U.S.A.
A DIVISION OF HONEYWELL

FED. MFG. CODE 91929

SWITCH-BASIC

CATALOG LISTING

BZ-R179

S

PRODUCT CODE - AGF8802
JG STOCK NUMBER - JG05373

BZ-R179

PAGE 1 OF 1

M

DRAWING NUMBER

6

ISSUE

REPLACES

PR-388

RELEASE NO.

CHECK

REVISIONS

A	NEW DRWG	3 OCT 68
B	CO 58037 SMA	1 OCT 85
C	CO-77591 DAW	22 JUN 94
D	CO-84234 LJK	8 MAR 99
E	0014573 KRB	19 JUL 05

19 JUL 05

RJ

CHECK

30 OCT 68

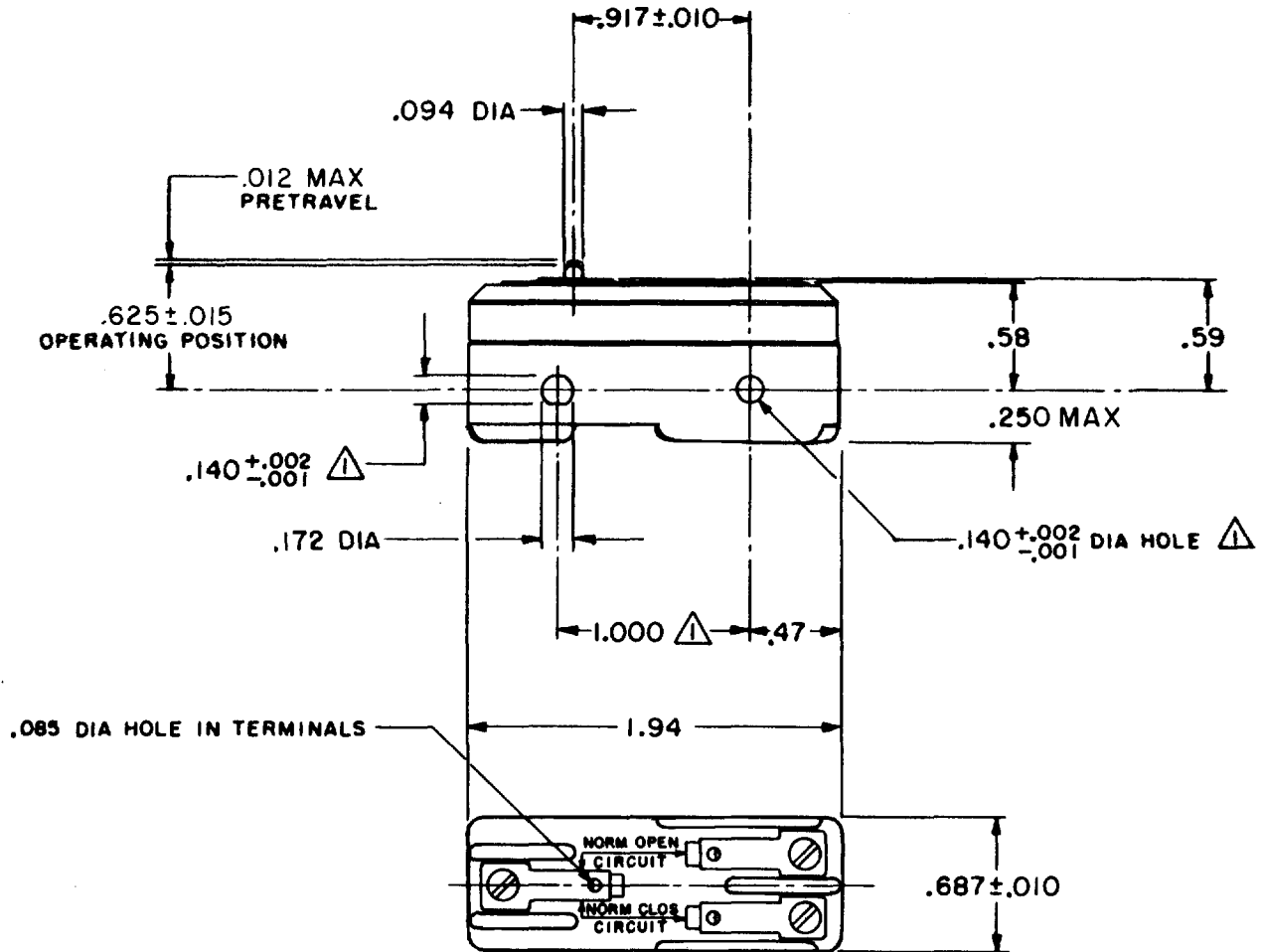
LSD

CHECK

3 OCT 68

GFS

DRAWN



NOTE -
△ - MOUNTING HOLES WILL ACCEPT PINS OR SCREWS OF .139 MAX DIA ON 1.000 ± .002 CENTERS

THIS DRAWING COVERS A PROPRIETARY ITEM AND IS THE PROPERTY OF MICRO SWITCH, A DIVISION OF HONEYWELL. THIS DRAWING IS NOT TO BE COPIED OR USED WITHOUT THE APPROVAL OF MICRO SWITCH.

CHARACTERISTICS

OPERATING FORCE----- 9 OZ MAX
RELEASE FORCE----- 4 OZ MIN
DIFFERENTIAL TRAVEL----- .0007 MAX
OVERTRAVEL----- .005 MIN

ELECTRICAL DATA

CONTACT ARRANGEMENT
S P D T
UNDERWRITERS' LAB. INC. LISTED RATING
-L103- 15 A-125, 250 OR 480 VAC
1/8 HP-125 VAC; 1/4 HP-250 VAC



SCALE FULL

DO NOT SCALE PRINT
UNLESS OTHERWISE NOTED
DIMENSIONS ARE IN INCHES
TOLERANCES ARE:
ONE PLACE (.0) ±.030
TWO PLACE (.00) ±.015
THREE PLACE (.000) ±.005
ANGLES ±

WEIGHT .050 LB

FORMTEK