

CATALOG LISTING

**BZLN-2-LH**

**MICRO SWITCH**

A DIVISION OF MINNEAPOLIS-HONEYWELL REGULATOR COMPANY  
PORTFORD, CONNECTICUT

**SWITCH-ENCLOSED**

FED. MFR. CODE 91929

5

THIS DRAWING COVERS A PROPRIETARY ITEM AND IS THE PROPERTY OF MICRO SWITCH, A DIVISION OF HONEYWELL. THIS DRAWING IS NOT TO BE COPIED OR USED WITHOUT THE APPROVAL OF MICRO SWITCH.

(M)BZLN-2 LH  
ISSUE 6

BZLN-2-LH

M

DRAWING NUMBER

15

ISSUE

REPLACES

RELEASE NO.

CHECK

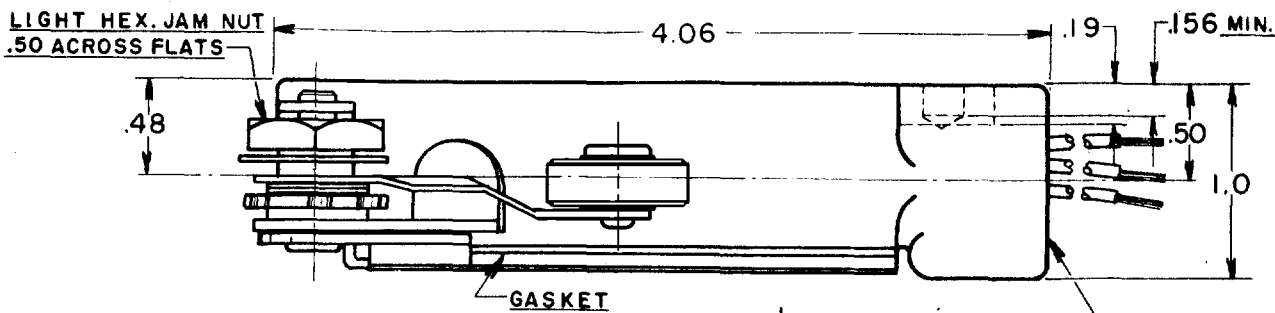
REVISIONS

|   |          |        |            |
|---|----------|--------|------------|
| A | CO 8520  | R.E.R. | 19 OCT. 58 |
| B | CO18546  | M B F  | 14 NOV 63  |
| C | CO17653  | J A N  | 31 AUG 64  |
| D | CO11950  | D A W  | 27 OCT 64  |
| E | CO21551  | W E G  | 9 JUNE 66  |
| F | CO 50714 | G J W  | 29 APR 82  |
| G | CO55988  | M A M  | 31 OCT 84  |
| H | CO81513B | J A K  | 12 MAR 97  |

CHECK

R.E.R. 19 OCT. 56

FORMTEK DRAWN



ROLLER LEVER MAY BE POSITIVELY LOCKED AT INTERVALS OF APPROX. 0.2° WITHIN A RANGE OF 260° (1430 POSITIONS)

$\frac{1}{2}$  -14 N.P.S.M. THREAD (5 FULL THREADS MIN.)

ROLLER LEVER IS SHOWN IN ITS FREE POSITION AT ONE EXTREME OF ITS ADJUSTABLE RANGE.

FREE POSITION.

.375 MAX.

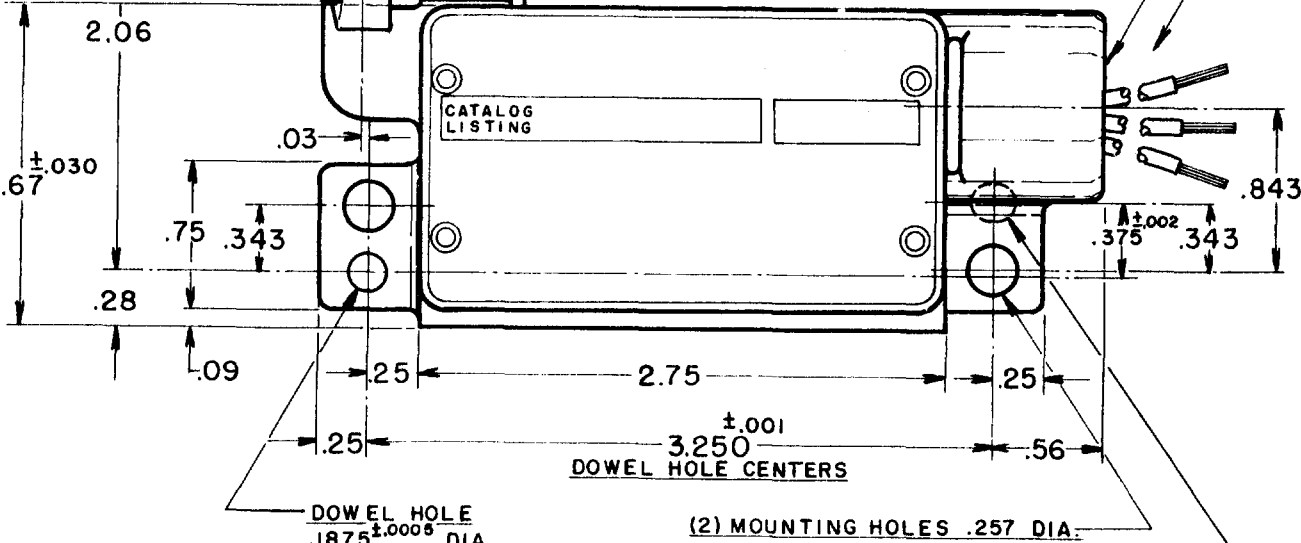
260°

1.562R

$\pm .030$   $\pm .030$   
.75 DIA. X .250 WIDE HARDENED STEEL ROLLER.

LEADS EXTEND 12" MIN. BEYOND OUTLET.

LEADS SEALED IN OUTLET



WIRING CONNECTIONS  
COMMON - BLACK LEAD  
NORMALLY OPEN - BLUE LEAD  
NORMALLY CLOSED - RED LEAD

DOWEL SLOT .192 ±.003 WIDE X .215 LONG, .156 MIN DEEP

**CHARACTERISTICS**

OPERATING FORCE --- 3 LB. MAX.  
DIFFERENTIAL FORCE --- 1/4 LB. MIN.  
RELEASE FORCE --- 1/4 LB. MIN.  
PRETRAVEL --- (3°).078 MAX.  
DIFFERENTIAL TRAVEL --- (1/2°).014 MAX.  
OVERTRAVEL --- (17°).469 MIN.

**ELECTRICAL DATA**

CONTACT ARRANGEMENT  
S. P. D. T.  
-L96- 15 A - 125, 250, OR 480 VAC  
1/2 A - 125 VDC; 1/4 A - 250 VDC  
1/8 HP - 125 VAC; 1/4 HP - 250 VAC

**SCALE FULL**

DO NOT SCALE PRINT

UNLESS OTHERWISE SPECIFIED  
DIMENSIONS ARE IN INCHES  
**TOLERANCES ARE:**  
ONE PLACE (.0) ±.030  
TWO PLACE (.00) ±.015  
THREE PLACE (.000) ±.005  
ANGLES ±

WEIGHT .850 LB. PLUS LEADS