

**MICRO SWITCH**  
a Honeywell Division

**SWITCH-ENCLOSED**

CATALOG LISTING  
**BZF1-2RN2-RH**  
(RIGHT HAND)

FED. MFG. CODE 91929

CATALOG LISTING  
**BZF1-2RN2-RH**

PAGE 1 OF 1

ISSUE  
**M**  
19

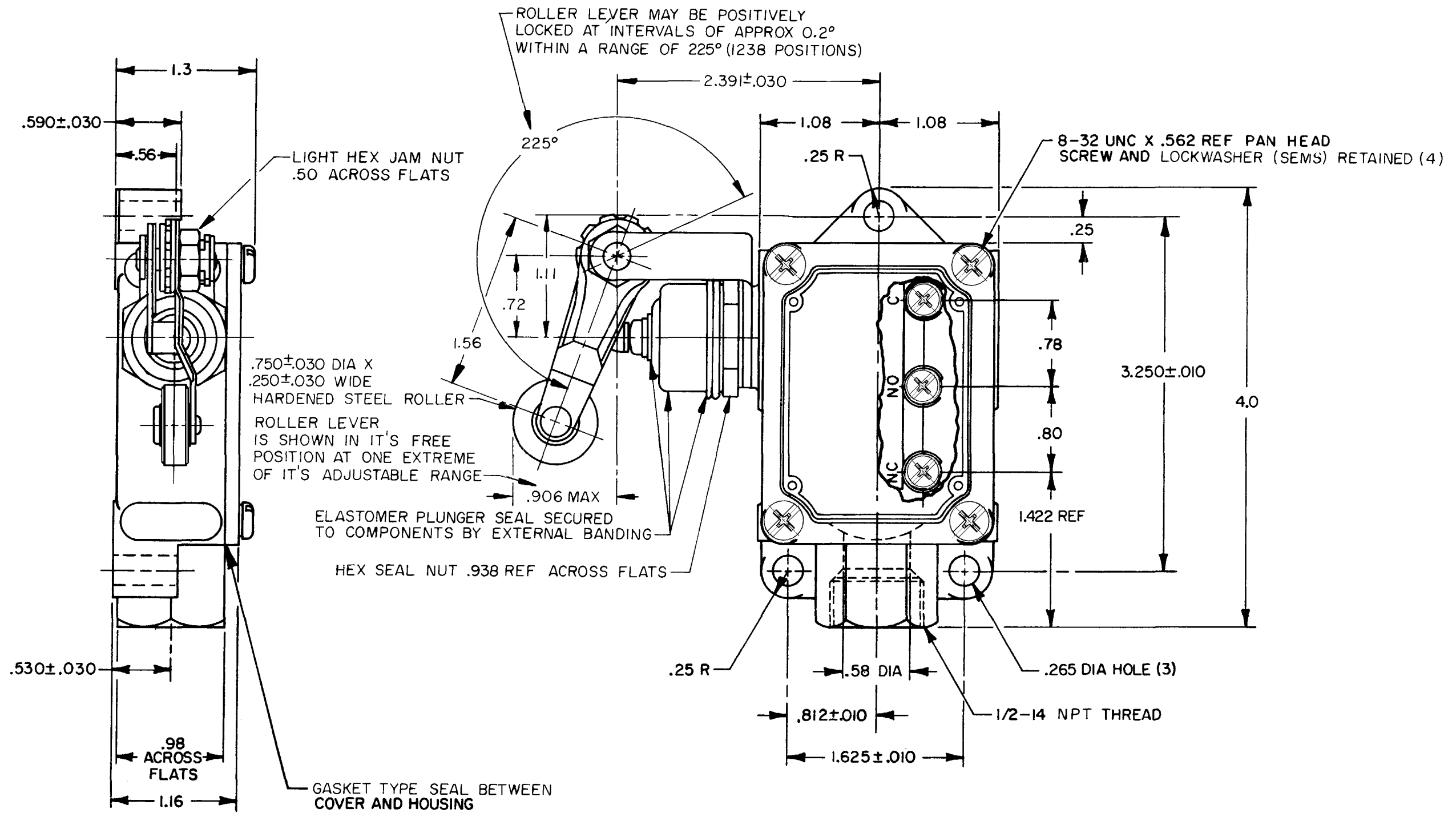
REVISIONS  
A CO-73287M  
GJW  
17 MAY 95  
B C081436  
JAK  
25 AUG 95  
C C081513B  
JAK  
6 MAR 97

CHECK  
JJA  
25 MAY 95

CHECK  
JJA

CHECK  
GJW  
17 MAY 95

FORMTEK  
DRAWN  
GJW



THIS DRAWING COVERS A PROPRIETARY ITEM AND IS THE PROPERTY OF MICRO SWITCH, A DIVISION OF HONEYWELL. THIS DRAWING IS NOT TO BE COPIED OR USED WITHOUT THE APPROVAL OF MICRO SWITCH

CHARACTERISTICS	ELECTRICAL DATA
OPERATING FORCE ----- 2 LB MAX	CONTACT ARRANGEMENT S P D T
RELEASE FORCE ----- 1/2 LB MIN	L96
PRETRAVEL ----- .219 MAX	15A 125, 250 OR 480 VAC
DIFFERENTIAL TRAVEL ----- .004 MAX	1/8 HP 125 VAC, 1/4 HP 250 VAC
OVERTRAVEL ----- .219 MIN	1/2A 125 VDC, 1/4A 250 VDC
BASIC SWITCH REPLACEMENT BZ-2R708-P7	

THIRD ANGLE PROJECTION	
SCALE FULL	
DO NOT SCALE PRINT	
UNLESS OTHERWISE SPECIFIED TOLERANCES ARE	
ONE PLACE (.0)	±.030
TWO PLACE (.00)	±.015
THREE PLACE (.000)	±.005
ANGLES	±
WEIGHT .670 LB	

- NOTES**
- 1 - ROLLER LEVER BRACKET ASSEMBLY MAY BE SET IN ANY POSITION AROUND AXIS OF PLUNGER
  - 2 - 8-32 UNC X (.219) BINDER HEAD, COMBINATION, TERMINAL SCREWS AND CUPWASHERS