

MICRO SWITCH

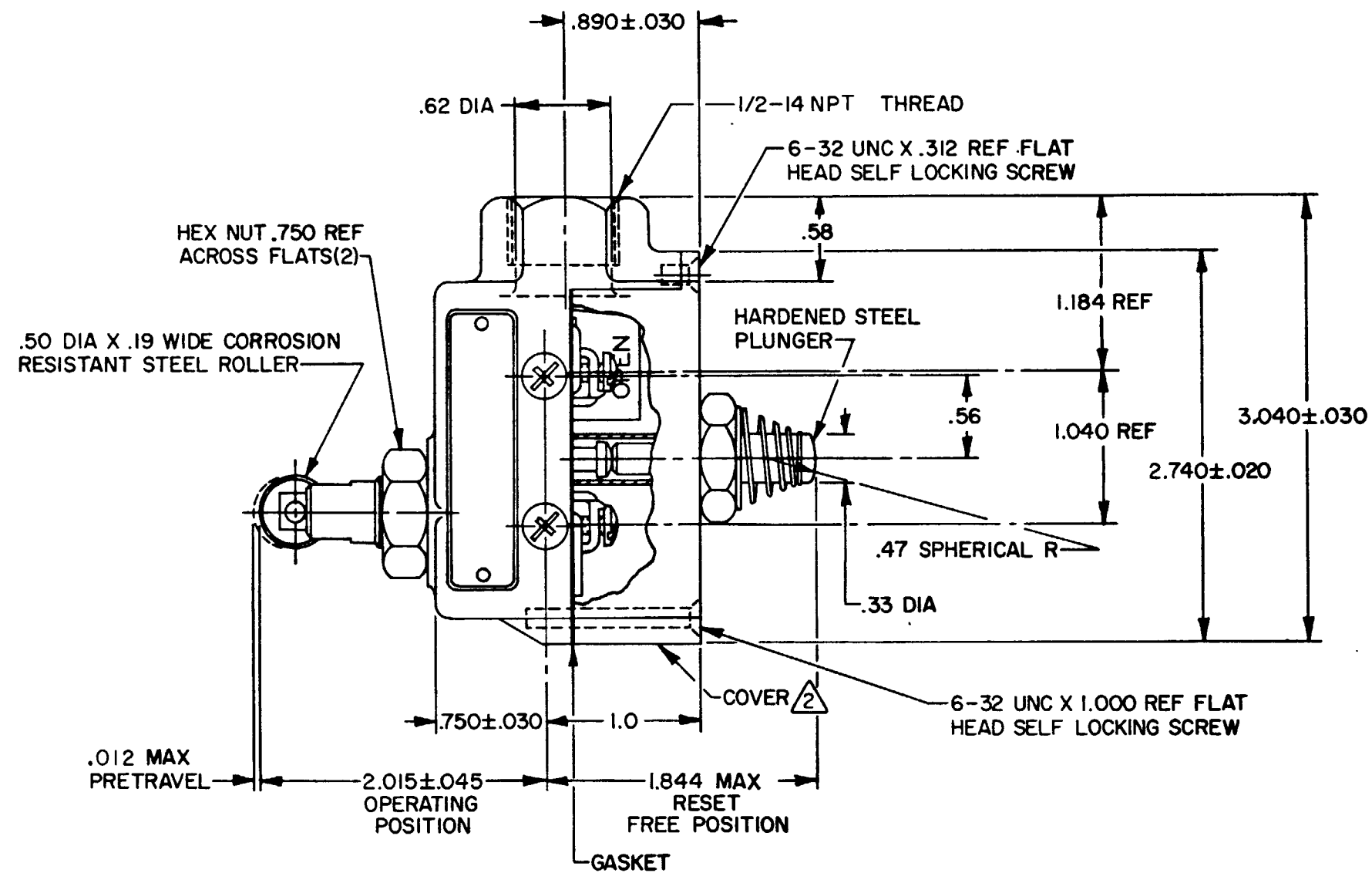
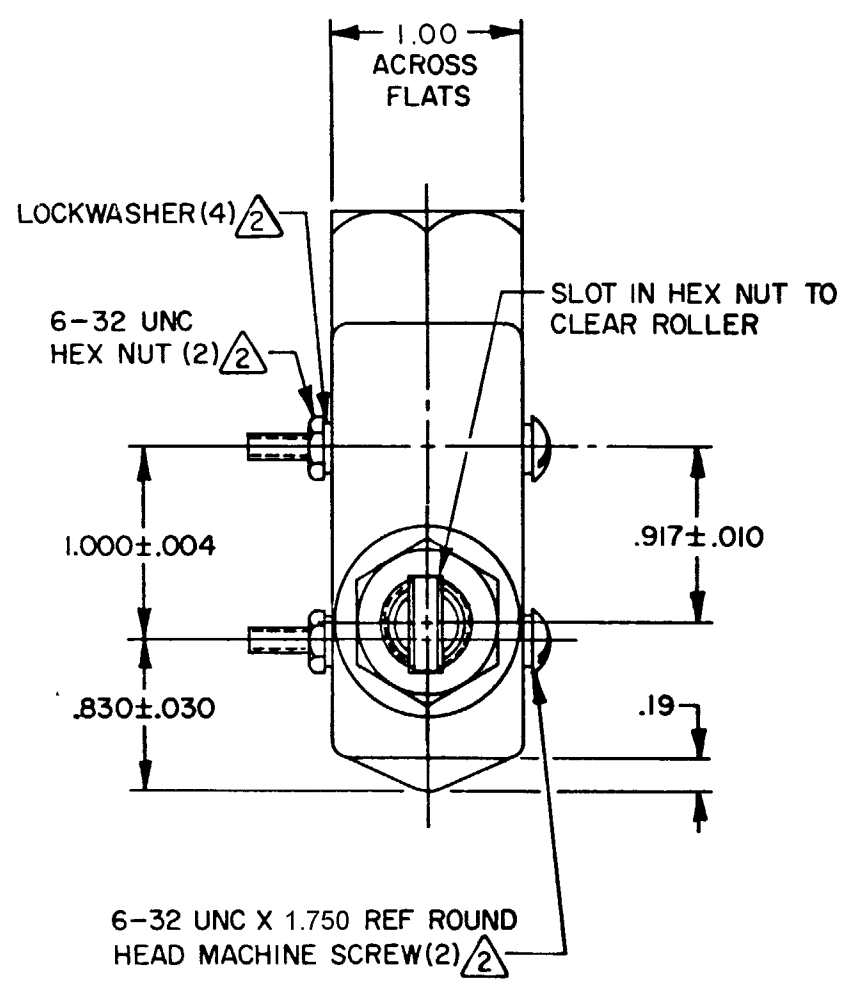
FREEPORT, ILLINOIS U S A
A DIVISION OF HONEYWELL

FED. MFG. CODE 91929

SWITCH - ENCLOSED

CATALOG LISTING
BZE6-RQ8X4

BZE6-RQ8X4
 M
 DRAWING NUMBER
 29AUG07
 PSR
 8
 ISSUE
 REVISIONS
 A C038200
 29 AUG 77
 B C053191F
 TSK
 13 APR 84
 C C055989
 CJH
 8 NOV 84
 D C054958
 TSK
 26 FEB 85
 E C072618
 L F
 14 SEP 92
 F 0016894
 KRB
 10 NOV 05
 G 0033014
 BS
 29AUG07
 K P K
 31 AUG 77
 CHECK
 RASTER
 FO-9285 1-A
 DRAWN
 J A L
 29 AUG 77
 CHECK



NOTES--

- 1 - 6-32 UNC X .218 REF BINDING HEAD TERMINAL SCREW (3)
- \triangle FURNISHED UNASSEMBLED
- 3 - SEAL RATING: NEMA 1
IP40

THIS DRAWING COVERS A PROPRIETARY ITEM AND IS THE PROPERTY OF MICRO SWITCH, A DIVISION OF HONEYWELL. THIS DRAWING IS NOT TO BE COPIED OR USED WITHOUT THE APPROVAL OF MICRO SWITCH.

CHARACTERISTICS	ELECTRICAL DATA	SCALE FULL
OPERATING FORCE ----- 15-30 OZ	CONTACT ARRANGEMENT S P D T MAINTAINED CONTACT	DO NOT SCALE PRINT
OVERTRAVEL ----- .140 MIN		UNLESS OTHERWISE NOTED
RESET CHARACTERISTICS	CODE L67 15A-125, 250 OR 480 VAC 1/4HP-125 VAC; 1/2HP-250 VAC 1/2A-125 VDC; 1/4A-250 VDC	DIMENSIONS ARE IN INCHES
OPERATING FORCE ----- 10 OZ MIN		TOLERANCES ARE:
BASIC SWITCH REPLACEMENT --BZ-RQX7842		ONE PLACE (.0) \pm .030
		TWO PLACE (.00) \pm .018
		THREE PLACE (.000) \pm .008
		ANGLES \pm
		WEIGHT

CE 1.5A, 240 Vac
 1.5A, 240 Vac
 1.5A, 240 Vac