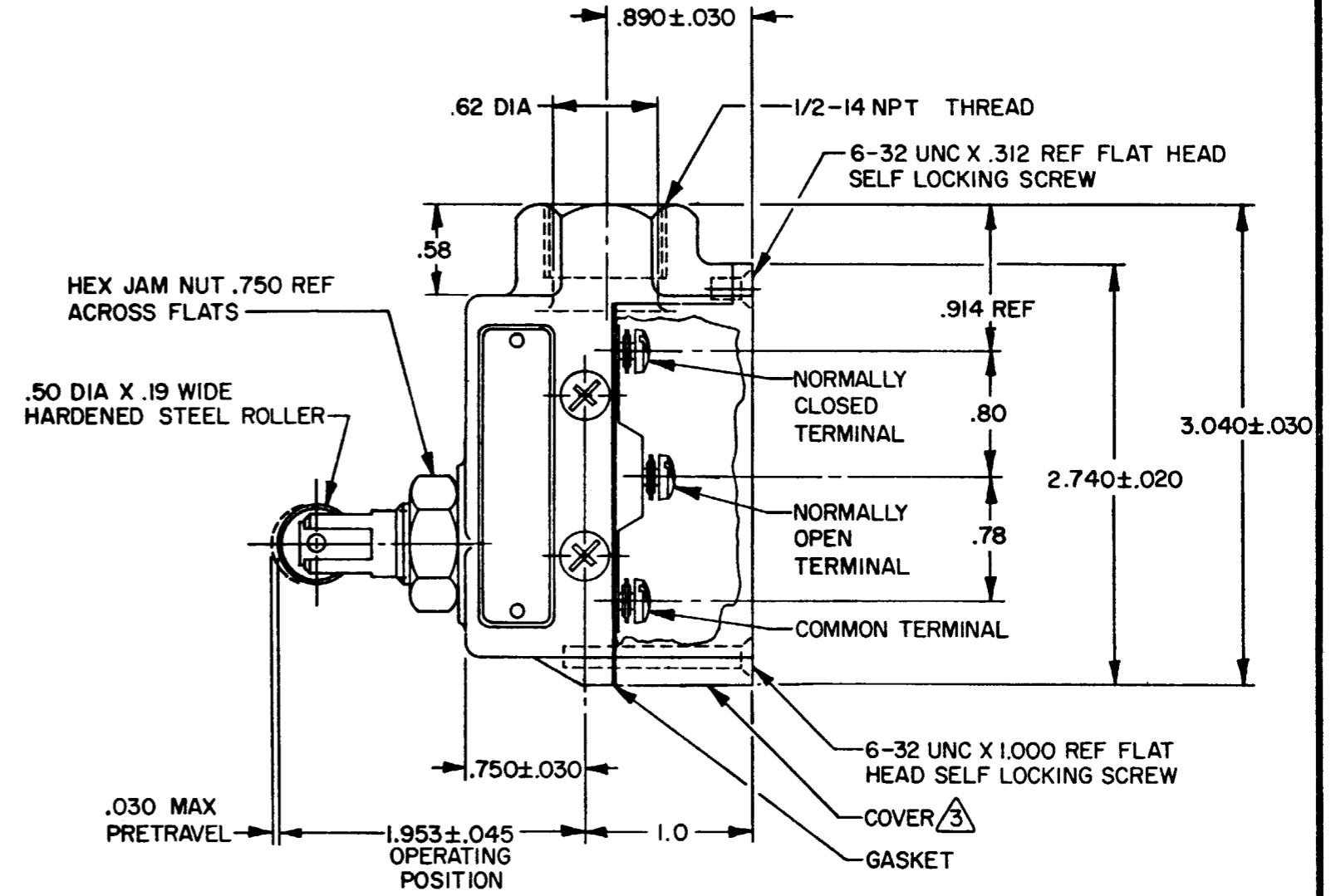
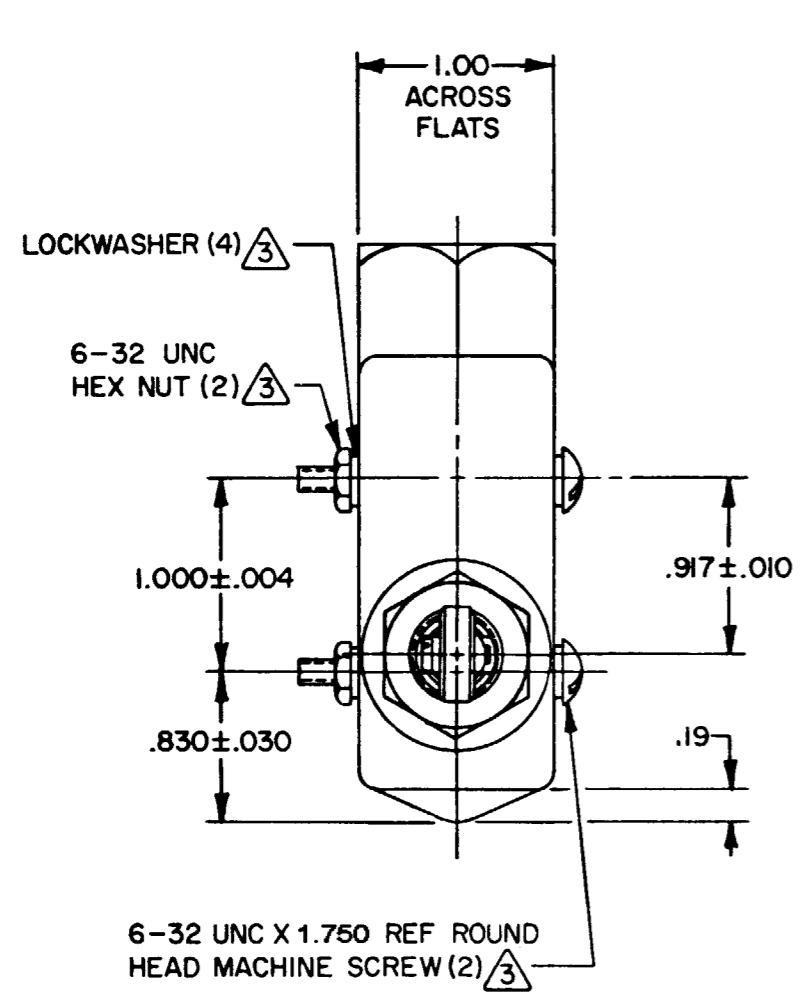


**MICRO SWITCH**  
 FREEPORT, ILLINOIS, U.S.A.  
 A DIVISION OF HONEYWELL  
 FED. MFG. CODE 91929

**SWITCH - ENCLOSED**

CATALOG LISTING  
**BZE6-7RQ9T**

CATALOG LISTING  
**BZE6-7RQ9T**  
 PAGE 1 OF 1  
 ISSUE **M**  
 10  
 PSR 29AUG07  
 CHECK 77  
 REVISIONS  
 A CO-38200  
 S L B 30 AUG 77  
 B CO53191-G  
 C JH 2 MAY 84  
 C CO 549585  
 MAP 23 JULY 86  
 D CO72618  
 L J F 14 SEP 92  
 E 204566  
 C S I 14 DEC 01  
 F 0016894  
 K R B 10 NOV 05  
 G 0033014  
 B S 29AUG07  
 DRAWN  
 S L B 30 AUG 77  
 F O - 92851 - A  
 R A S T E R



THIS DRAWING COVERS A PROPRIETARY ITEM AND IS THE PROPERTY OF MICRO SWITCH, A DIVISION OF HONEYWELL. THIS DRAWING IS NOT TO BE COPIED OR USED WITHOUT THE APPROVAL OF MICRO SWITCH.

CHARACTERISTICS	ELECTRICAL DATA	SCALE FULL
OPERATING FORCE ——— 22-28 OZ	CONTACT ARRANGEMENT <b>S P D T</b>	DO NOT SCALE PRINT
RELEASE FORCE ——— 4 OZ MIN	15A-125, 250 OR 480 VAC	UNLESS OTHERWISE NOTED
DIFFERENTIAL TRAVEL ——— .005 MAX	1/2 A-125 VDC; 1/4 A-250 VDC	DIMENSIONS ARE IN INCHES
OVERTRAVEL ——— .140 MIN	<b>CE</b> 1.5A, 240 Vac	<b>TOLERANCES ARE:</b>
BASIC SWITCH REPLACEMENT — BZ-7RQ69T		ONE PLACE (.0) $\pm$ .030
		TWO PLACE (.00) $\pm$ .015
		THREE PLACE (.000) $\pm$ .005
		ANGLES $\pm$
		WEIGHT .56 LB

- NOTES
- 1 - ZINC ENCLOSURE
  - 2 - 6-32 UNC X .219 REF BINDING HEAD TERMINAL SCREW AND WASHER (SEMS) (3)
  - $\triangle 3$  FURNISHED UNASSEMBLED
  - 4 - SEAL RATING: NEMA 1 IP40