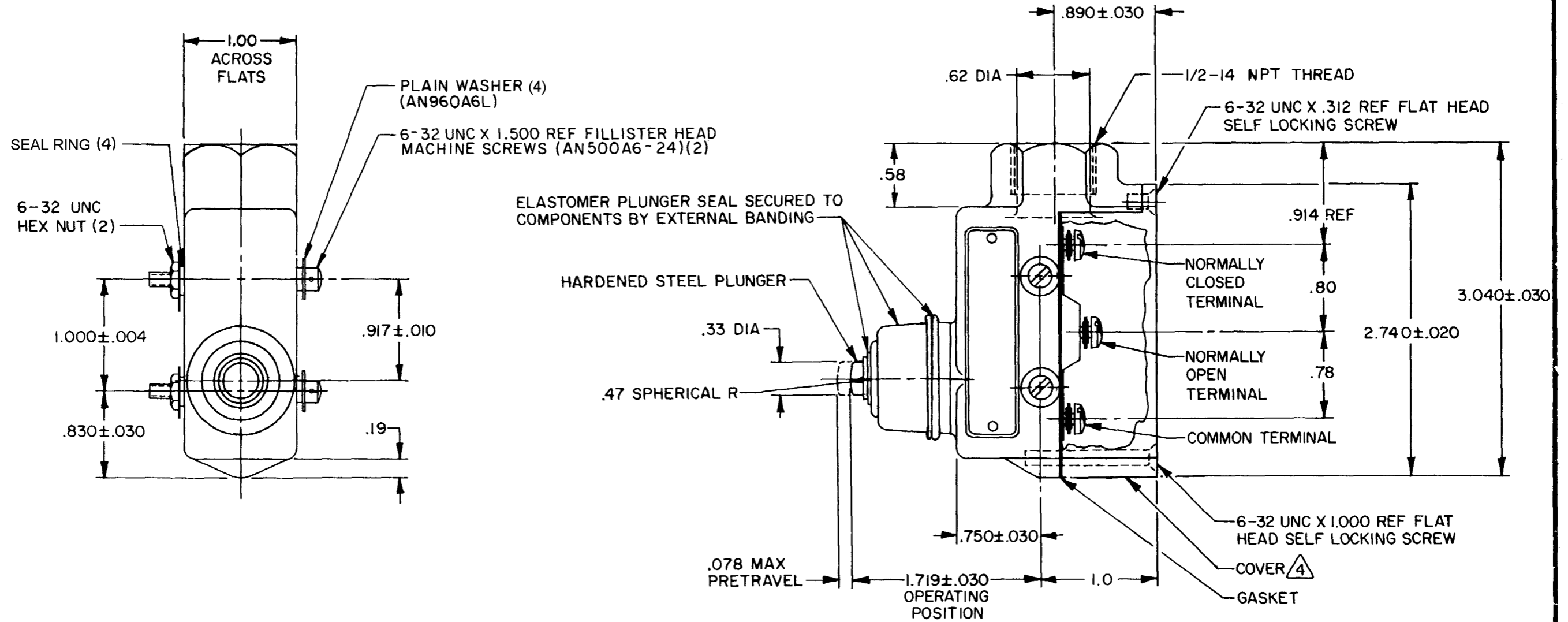


**MICRO SWITCH**  
 FREEPORT, ILLINOIS, U.S.A.  
 A DIVISION OF HONEYWELL  
 FED. MFG. CODE 91829

**SWITCH - ENCLOSED**

CATALOG LISTING  
**BZE6-7RNT**

CATALOG LISTING  
**BZE6-7RNT**  
 PAGE 1 OF 1  
 ISSUE 7  
 REVISIONS  
 A PR-11355  
 29 JUN 82  
 B C053191  
 16 AUG 84  
 C C054958  
 9 JAN 85  
 D 77179A  
 17 FEB 94  
 E 204566  
 14 DEC 01  
 F 0017057  
 VKR  
 23 NOV 05  
 RASTER  
 FO-5285 1-A  
 DRAWN  
 KAG 29 JUN 82  
 CHECK  
 BP 23 NOV 05  
 CHECK  
 PR-11355  
 REPLACES



THIS DRAWING COVERS A PROPRIETARY ITEM AND IS THE PROPERTY OF MICRO SWITCH, A DIVISION OF HONEYWELL. THIS DRAWING IS NOT TO BE COPIED OR USED WITHOUT THE APPROVAL OF MICRO SWITCH.

CHARACTERISTICS	ELECTRICAL DATA	SCALE FULL
OPERATING FORCE ----- 28-54 MAX	CONTACT ARRANGEMENT S P D T	DO NOT SCALE PRINT
RELEASE FORCE ----- 10 OZ MIN	15A - 125, 250 OR 480 VAC	UNLESS OTHERWISE NOTED DIMENSIONS ARE IN INCHES
DIFFERENTIAL TRAVEL ----- .005 MAX	1/2A - 125 VDC; 1/4A - 250 VDC	<b>TOLERANCES ARE:</b>
OVERTRAVEL ----- .219 MIN	CE 1.5A, 240Vac	ONE PLACE (.0) ±.030
BASIC SWITCH REPLACEMENT BZ-7R077T		TWO PLACE (.00) ±.015
		THREE PLACE (.000) ±.005
		ANGLES
		WEIGHT .56 LB

**NOTES**

- 1 - ZINC ENCLOSURE
- 2 - 6-32 UNC X .219 REF TERMINAL SCREW AND LOCKWASHER (3)
- 3 - SWITCH WILL PERFORM SATISFACTORILY IN TEMPERATURES TO -65°F
- 4 - FURNISHED UNASSEMBLED
- 5 - SEAL RATING: NEMA1,3  
IP54