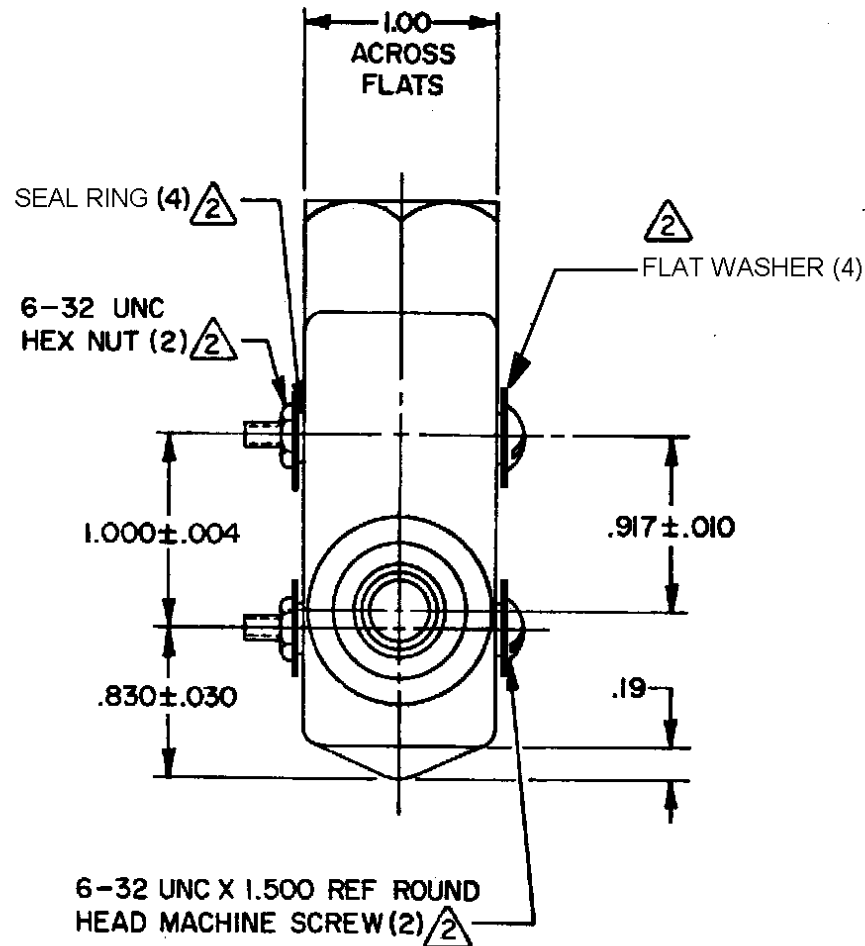
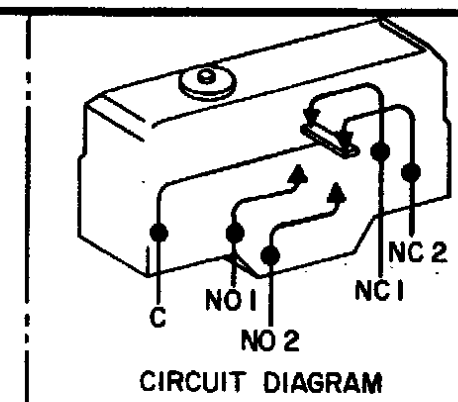


MICRO SWITCH
 FREEPORT, ILLINOIS, U.S.A.
 A DIVISION OF HONEYWELL
 FED. MFG. CODE 9192B

SWITCH - ENCLOSED

CATALOG LISTING
BZE6-3YNP



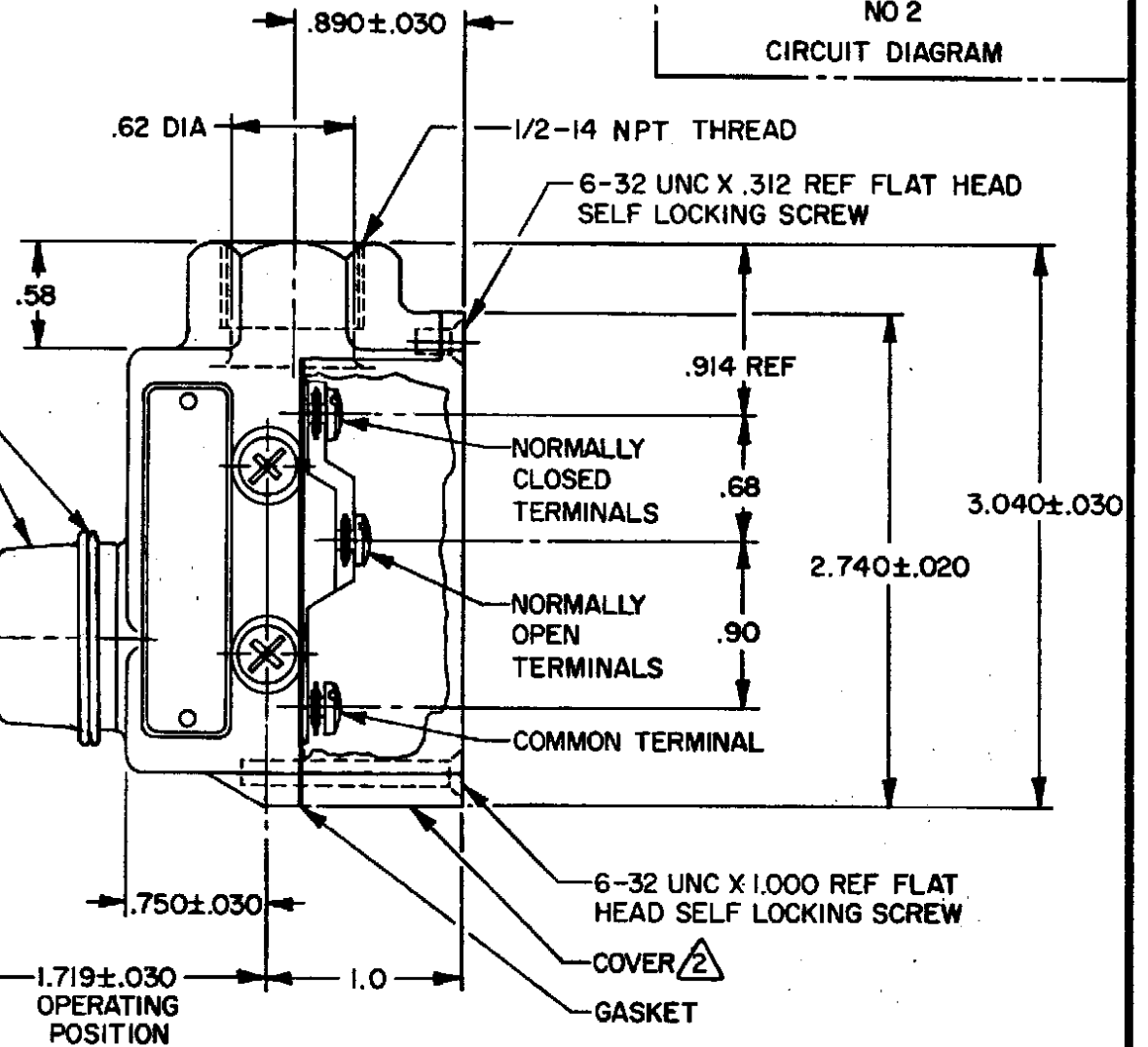
ELASTOMER PLUNGER SEAL SECURED TO COMPONENTS BY EXTERNAL BANDING

HARDENED STEEL PLUNGER

.33 DIA

.47 SPHERICAL R

.078 MAX PRETRAVEL



NOTES -

- 1 - 6-32 UNC X .219 REF BINDING HEAD TERMINAL SCREW AND WASHER (SEMS) (5)
- \triangle FURNISHED UNASSEMBLED
- 3 - SEAL RATING: NEMA 1,3
IP54

THIS DRAWING COVERS A PROPRIETARY ITEM AND IS THE PROPERTY OF MICRO SWITCH, A DIVISION OF HONEYWELL. THIS DRAWING IS NOT TO BE COPIED OR USED WITHOUT THE APPROVAL OF MICRO SWITCH.

CHARACTERISTICS	ELECTRICAL DATA	SCALE FULL
OPERATING FORCE — 22-54 OZ	CONTACT ARRANGEMENT S P D T SPLIT CONTACT	DO NOT SCALE PRINT
RELEASE FORCE — 10 OZ MIN	CODE L4	UNLESS OTHERWISE NOTED
DIFFERENTIAL TRAVEL — .004 MAX	5A-250 VAC	DIMENSIONS ARE IN INCHES
OVERTRAVEL — .219 MIN		TOLERANCES ARE:
BASIC SWITCH REPLACEMENT — BZ-3YQ67T	CE 1.5A, 240Vac	ONE PLACE (.0) \pm .030
		TWO PLACE (.00) \pm .015
		THREE PLACE (.000) \pm .005
		ANGLES \pm
		WEIGHT .56 LB

BZE6-3YNP
 DRAWING NUMBER
 ISSUE 9
 REVISIONS
 A CO 38200-B 26 AUG 77
 B CO5319-G CJH 2 MAY 84
 C CO55989 CJH NOV 84
 D CO54958 G J W B JAN 85
 E CO72618 L J F 14 SEP 92
 F CO 7/179B K D R 21 FEB 94
 G 0017057 VIKR 22NOV05
 RELEASE NO. 22NOV05
 BP
 CHECK R O B
 CHECK K P K
 DRAWN T M M
 26 AUG 77
 FO-92851-A