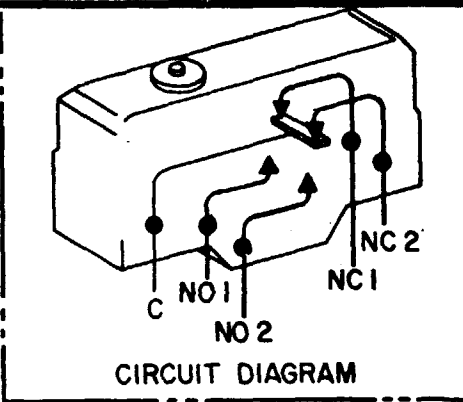


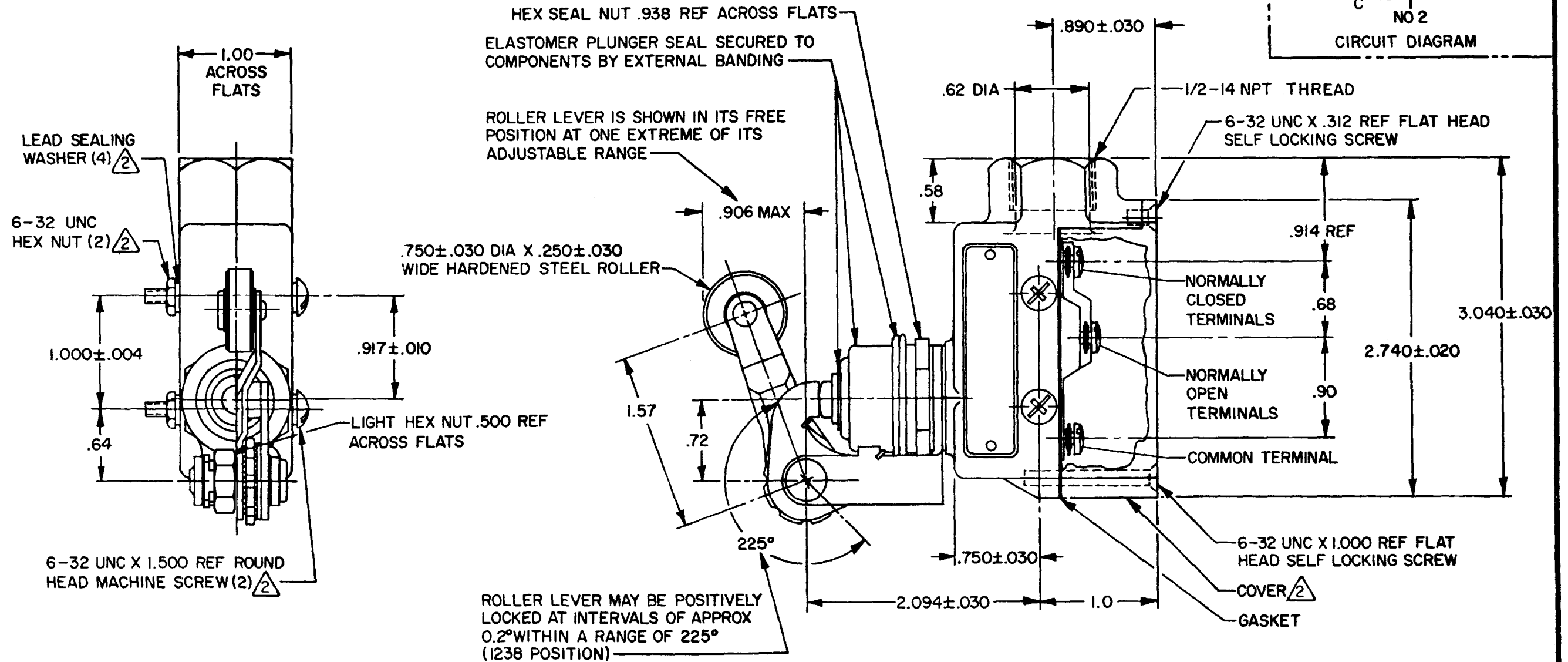
**MICRO SWITCH**  
 FREEPORT, ILLINOIS, U.S.A.  
 A DIVISION OF HONEYWELL  
 FED. MFG. CODE 91829

**SWITCH-ENCLOSED**

CATALOG LISTING  
**BZE6-3YN2**



BZE6-3YN2  
 M  
 DRAWING NUMBER  
 8  
 ISSUE  
 REVISIONS  
 A CO-38200 3 AUG 77  
 B CO53191F 13 APR 84  
 C CO55989 8 NOV 84  
 D CO54958 7 JAN 85  
 E CO72618 14 SEP 92  
 F CO-77179B 21 FEB 94  
 G CO81513B 5 MAR 97  
 FORMTEK  
 DRAWN  
 SLB 30 AUG 77  
 CHECK K P K  
 30 AUG 77  
 RELEASE NO.  
 CHECK K O B 1 SEP 77  
 CHECK K O B 1 SEP 77  
 CHECK K O B 1 SEP 77



- NOTES**
- 1 - 6-32 UNC X .219 REF BINDING HEAD TERMINAL SCREW AND WASHER (SEMS) (5)
  - 2 - FURNISHED UNASSEMBLED
  - 3 - ROLLER LEVER BRACKET ASSEMBLY MAY BE SET AT ANY POSITION AROUND AXIS OF PLUNGER

THIS DRAWING COVERS A PROPRIETARY ITEM AND IS THE PROPERTY OF MICRO SWITCH, A DIVISION OF HONEYWELL. THIS DRAWING IS NOT TO BE COPIED OR USED WITHOUT THE APPROVAL OF MICRO SWITCH.

CHARACTERISTICS	ELECTRICAL DATA	SCALE FULL
OPERATING FORCE ----- 11-25 OZ	CONTACT ARRANGEMENT SPDT SPLIT CONTACT	DO NOT SCALE PRINT
RELEASE FORCE ----- 4 OZ MIN	CODE L4 5A - 250 VAC	UNLESS OTHERWISE NOTED
PRETRAVEL ----- .188 MAX		DIMENSIONS ARE IN INCHES
DIFFERENTIAL TRAVEL ----- .012 MAX		<b>TOLERANCES ARE:</b>
OVERTRAVEL ----- .219 MIN		ONE PLACE (.0) ±.030
BASIC SWITCH REPLACEMENT ----- BZ-3YN702		TWO PLACE (.00) ±.015
		THREE PLACE (.000) ±.005
		ANGLES ±.005
		WEIGHT .71 LB