

**MICRO SWITCH**  
 FREEPORT, ILLINOIS, U.S.A.  
 A DIVISION OF HONEYWELL  
 FED. MFG. CODE 91929

**SWITCH - ENCLOSED**

CATALOG LISTING  
**BZE6-2RQ**

**M BZE6-2RQ**

DRAWING NUMBER

ISSUE

REPLACES

RELEASE NO.

CHECK

REVISIONS

A	CO38200	29 AUG 77	SEP 77
B	CO53191-G	2 MAY 84	SEP 77
C	CO55989	6 NOV 84	SEP 77
D	CO54958	11 MAR 85	SEP 77
E	CO72618	11 SEP 92	SEP 77

CHECK

CHECK

CHECK

CHECK

CHECK

CHECK

CHECK

CHECK

CHECK

CHECK

CHECK

CHECK

CHECK

CHECK

CHECK

CHECK

CHECK

CHECK

CHECK

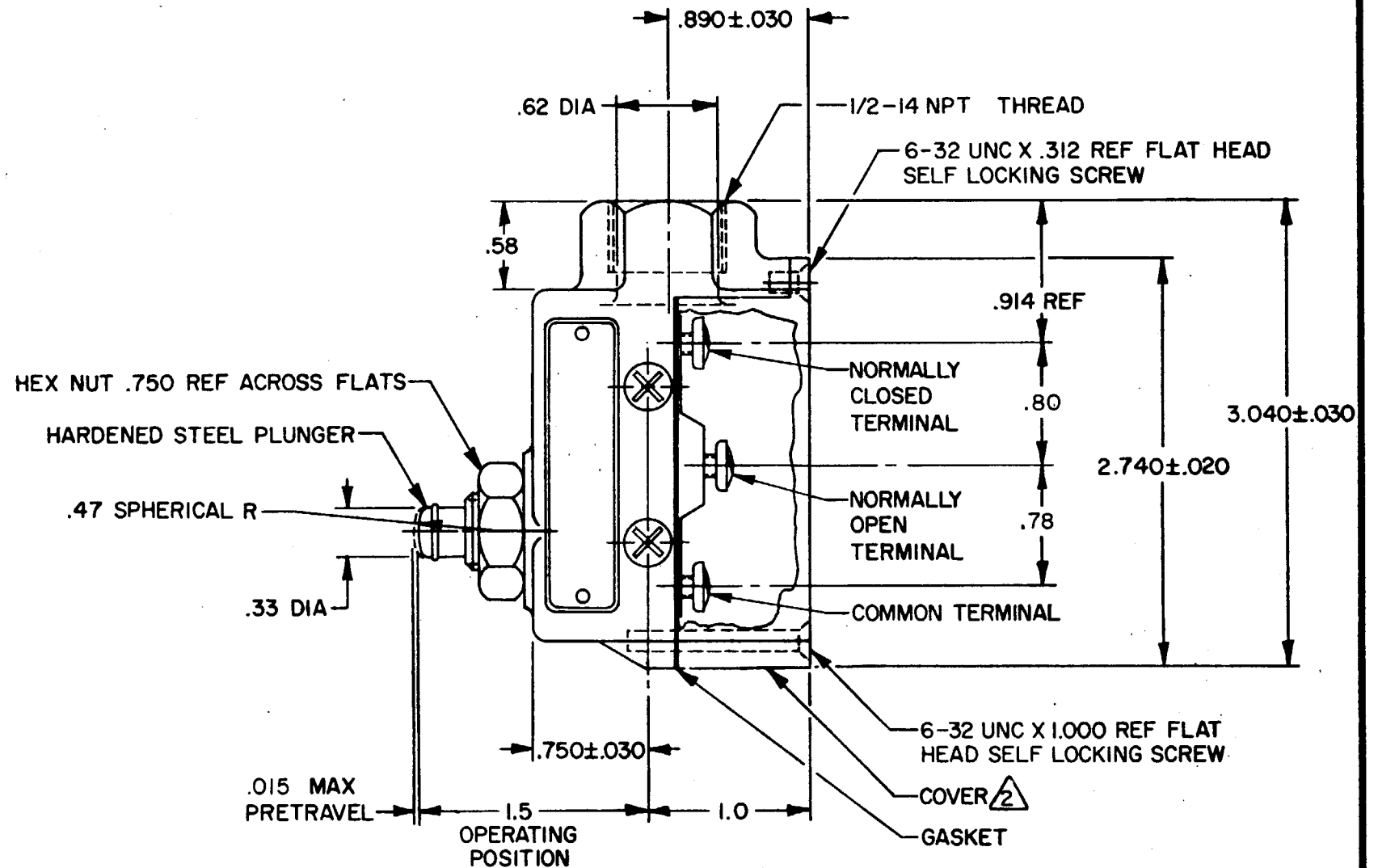
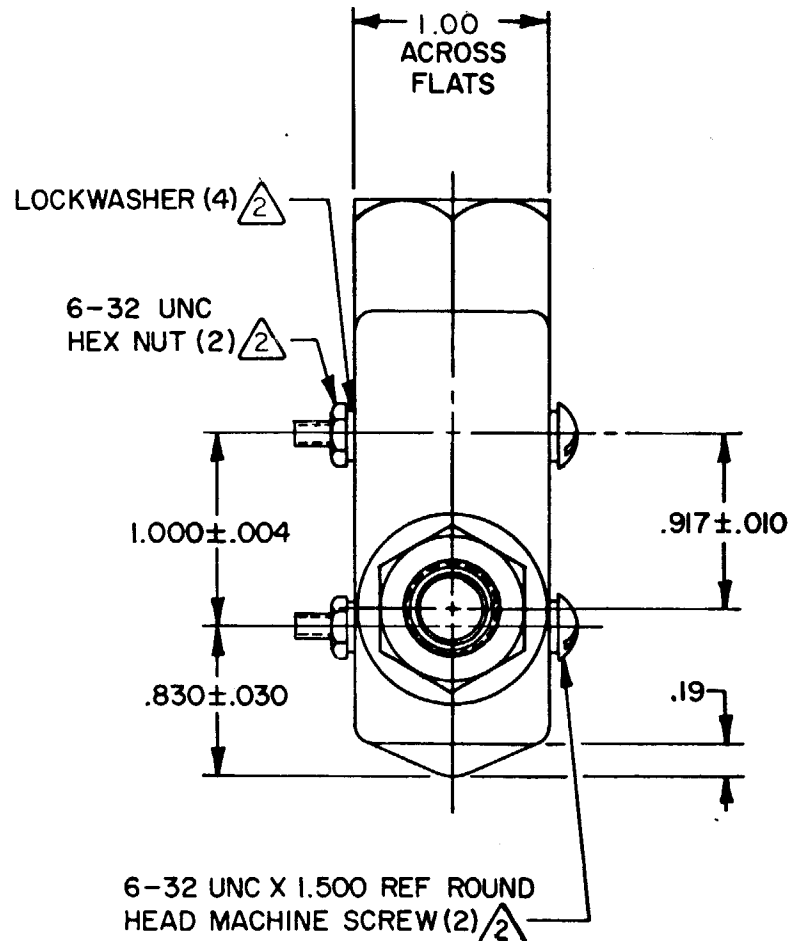
CHECK

CHECK

CHECK

CHECK

CHECK



NOTES -

- 1 - 6-32 UNC X .219 REF BINDING HEAD TERMINAL SCREW AND CUPWASHER (3)
- 2 - FURNISHED UNASSEMBLED

THIS DRAWING COVERS A PROPRIETARY ITEM AND IS THE PROPERTY OF MICRO SWITCH, A DIVISION OF HONEYWELL. THIS DRAWING IS NOT TO BE COPIED OR USED WITHOUT THE APPROVAL OF MICRO SWITCH.

CHARACTERISTICS	ELECTRICAL DATA	SCALE FULL
OPERATING FORCE ----- 9-13 OZ	CONTACT ARRANGEMENT S P D T	DO NOT SCALE PRINT
RELEASE FORCE ----- 4 OZ MIN		UNLESS OTHERWISE NOTED
		DIMENSIONS ARE IN INCHES
		<b>TOLERANCES ARE:</b>
		ONE PLACE (.0) $\pm$ .030
		TWO PLACE (.00) $\pm$ .015
		THREE PLACE (.000) $\pm$ .005
		ANGLES
		WEIGHT .53 LB

DIFFERENTIAL TRAVEL ----- .002 MAX

OVERTRAVEL ----- .219 MIN

BASIC SWITCH REPLACEMENT ----- BZ-2RQ66

15A-125, 250 OR 480 VAC, 2A-600 VAC

1/8 HP-125 VAC; 1/4 HP-250 VAC

1/2A-125 VDC; 1/4A-250 VDC

CODE L74

FO-92851-A

J A L 29 AUG 77

29 AUG 77

29 AUG 77

29 AUG 77

29 AUG 77

29 AUG 77

29 AUG 77

29 AUG 77

29 AUG 77

29 AUG 77

29 AUG 77

29 AUG 77

29 AUG 77

29 AUG 77

29 AUG 77

29 AUG 77

29 AUG 77

29 AUG 77

29 AUG 77