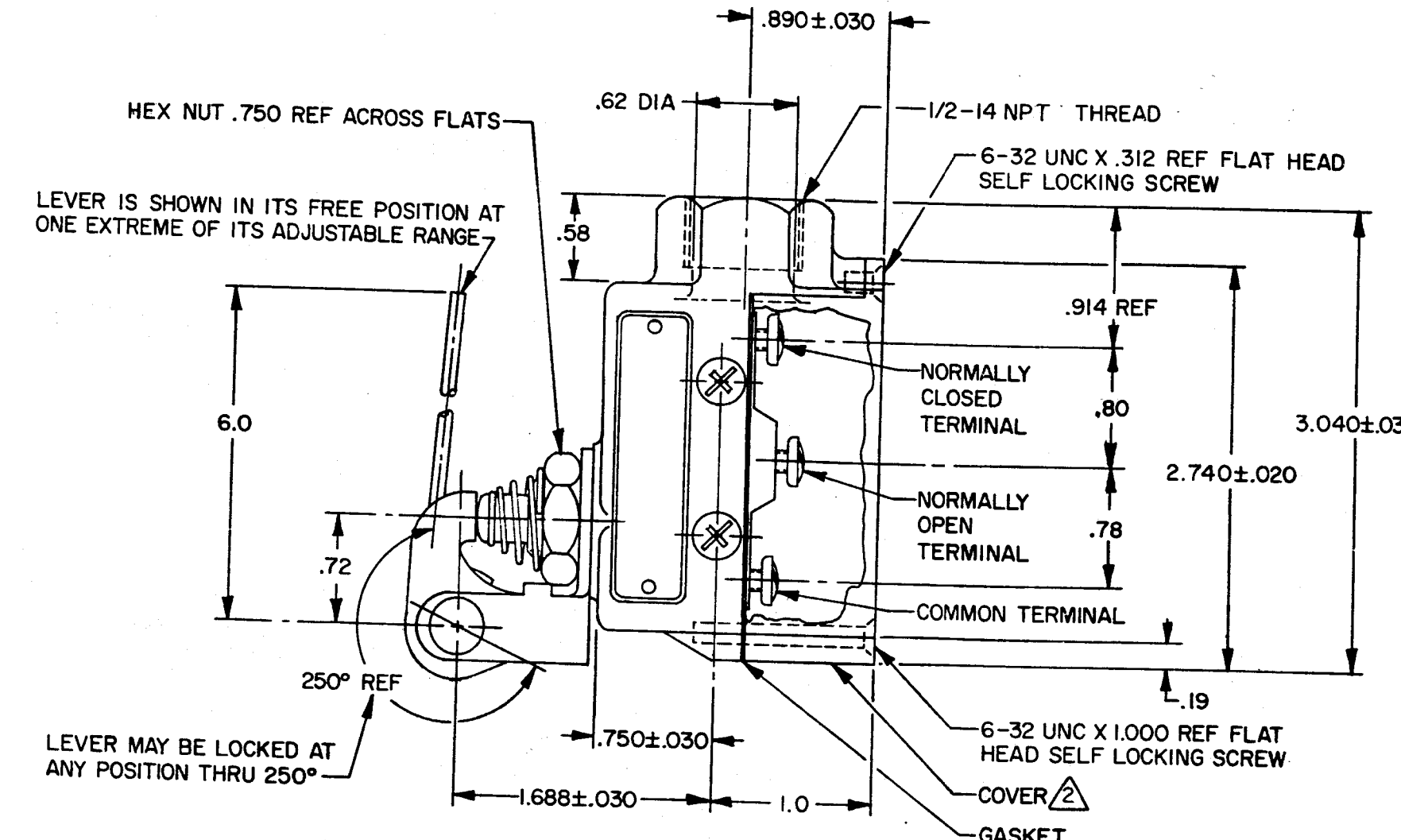
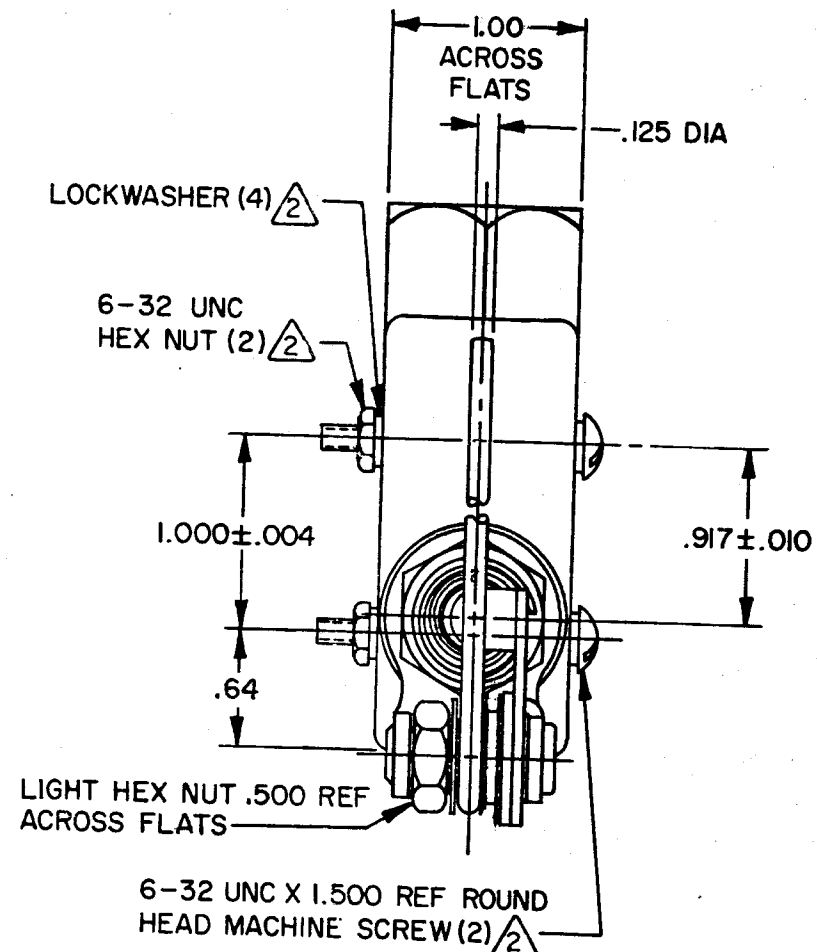


MICRO SWITCH
 FREEPORT, ILLINOIS, U.S.A.
 A DIVISION OF HONEYWELL
 FED. MFG. CODE 91929

SWITCH - ENCLOSED

CATALOG LISTING
BZE6-2RQ62

BZE6-2RQ62
 DRAWING NUMBER
 ISSUE
 REVISIONS
 A CO 39200-B 26 AUG 77
 T M M
 B C053191-G 2 CJH MAY 84
 C C055989 6 NOV 84
 D C054958 26 FEB 85
 E C072618 11 SEP 92
 F C077889 20 SEP 94
 KEU
 T M M 25 AUG 77
 DRAWN
 FO-92851-A



NOTES -

- 1 - 6-32 UNC X .219 REF BINDING HEAD TERMINAL SCREW AND CUPWASHER (3)
- 2 - FURNISHED UNASSEMBLED
- 3 - LEVER BRACKET ASSEMBLY MAY BE SET AT ANY ONE OF EIGHT POSITIONS SPACED 45° APART

THIS DRAWING COVERS A PROPRIETARY ITEM AND IS THE PROPERTY OF MICRO SWITCH, A DIVISION OF HONEYWELL. THIS DRAWING IS NOT TO BE COPIED OR USED WITHOUT THE APPROVAL OF MICRO SWITCH.

CHARACTERISTICS	ELECTRICAL DATA	SCALE FULL
OPERATING FORCE — 2-5 OZ	CONTACT ARRANGEMENT SPDT	DO NOT SCALE PRINT
RELEASE FORCE — 2 OZ MIN	15A-125, 250 OR 480 VAC, 2A-600 VAC 1/8 HP-125 VAC; 1/4 HP-250 VAC 1/2A-125 VDC; 1/4A-250 VDC CODE L74	UNLESS OTHERWISE NOTED
PRETRAVEL — .718 MAX		DIMENSIONS ARE IN INCHES
DIFFERENTIAL TRAVEL — .229 MAX		TOLERANCES ARE:
OVERTRAVEL — .838 MIN		ONE PLACE (.0) ± .030
BASIC SWITCH REPLACEMENT — BZ-2RQ68		TWO PLACE (.00) ± .018
		THREE PLACE (.000) ± .008
		ANGLES ±
		WEIGHT .70 LB