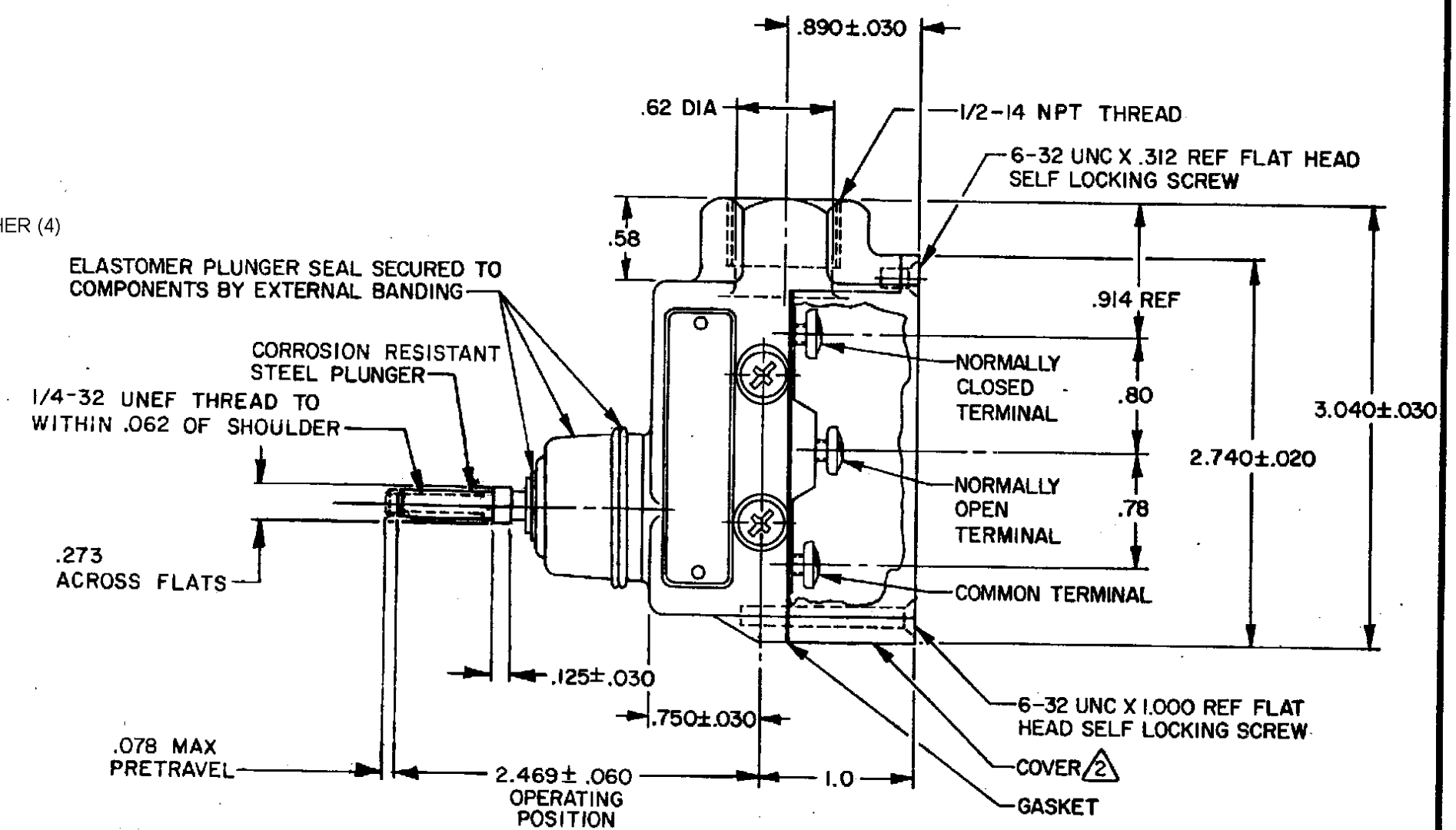
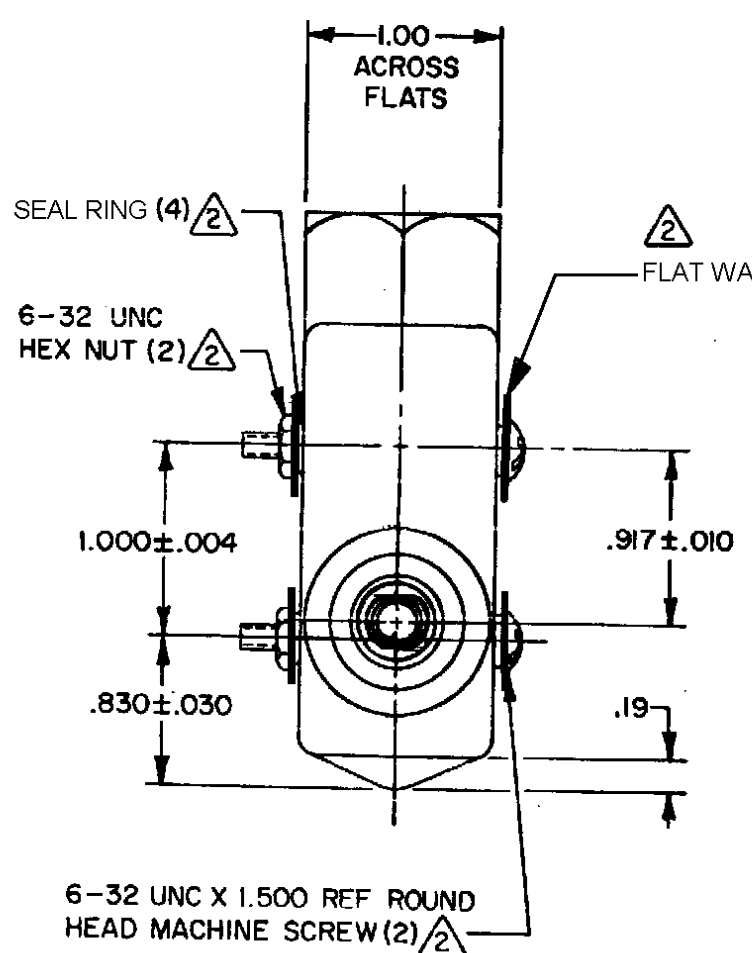


**MICRO SWITCH**  
 FREEPORT, ILLINOIS, U.S.A.  
 A DIVISION OF HONEYWELL  
 FED. MFG. CODE 91828

**SWITCH - ENCLOSED**

CATALOG LISTING  
**BZE6-2RN8**

M BZE6-2RN8  
 DRAWING NUMBER  
 ISSUE 7  
 22NOV05  
 BP  
 CHECK  
 REVISIONS  
 C05319-G  
 CJH  
 MAY 84  
 C055988  
 J A P  
 NOV 84  
 C054958  
 G J W  
 JAN 85  
 C072476  
 MAN  
 SEP 92  
 C072476  
 MAN  
 SEP 92  
 CO-  
 77179A  
 K D R  
 17 FEB 94  
 G0017057  
 VKR  
 22NOV05  
 17 MAR 80  
 WJM  
 26 FEB 80  
 CHECK  
 FO-82851-A  
 DRAWN



- NOTES -
- 1 - 6-32 UNC X .219 REF BINDING HEAD TERMINAL SCREW AND CUPWASHER (3)
  - <sup>2</sup> FURNISHED UNASSEMBLED
  - 3 - SEAL RATING: NEMA1,3  
IP54

THIS DRAWING COVERS A PROPRIETARY ITEM AND IS THE PROPERTY OF MICRO SWITCH, A DIVISION OF HONEYWELL. THIS DRAWING IS NOT TO BE COPIED OR USED WITHOUT THE APPROVAL OF MICRO SWITCH.

CHARACTERISTICS	ELECTRICAL DATA	SCALE FULL
OPERATING FORCE ----- 9-24 OZ	CONTACT ARRANGEMENT <b>S P D T</b>	DO NOT SCALE PRINT
RELEASE FORCE ----- 4 OZ MIN	15A-125, 250 OR 480 VAC, 2A-600 VAC 1/8 HP-125 VAC; 1/4 HP-250 VAC	UNLESS OTHERWISE NOTED DIMENSIONS ARE IN INCHES
DIFFERENTIAL TRAVEL ----- .002 MAX	1/2 A-125 VDC; 1/4 A-250 VDC CODE L74	<b>TOLERANCES ARE:</b>
OVERTRAVEL ----- .219 MIN		ONE PLACE (.0) ±.080
BASIC SWITCH REPLACEMENT --- BZ-2RN708	CE 1.5A, 240Vac	TWO PLACE (.00) ±.015
		THREE PLACE (.000) ±.005
		ANGLES ±
		WEIGHT .56 LB