

MICRO SWITCH
 FREEPORT, ILLINOIS, U.S.A.
 A DIVISION OF HONEYWELL
 FED. MFG. CODE 91929

SWITCH-ENCLOSED

CATALOG LISTING
BZE6-2RN62

BZE6-2RN62

M

DRAWING NUMBER

10

ISSUE

8

REVISIONS

A	CO	38200-B	23 AUG 77
B	CO	5319 IF	13 APR 84
C	CO	55989	8 NOV 84
D	CO	54958	7 JAN 85
E	CO	72476	4 SEP 92
F	CO	77179A	17 FEB 94
G	CO	77889	20 SEP 94

REPLACES

RELEASE NO.

CHECK

25 AUG 77

25 AUG 77

25 AUG 77

25 AUG 77

25 AUG 77

25 AUG 77

25 AUG 77

25 AUG 77

25 AUG 77

25 AUG 77

25 AUG 77

25 AUG 77

25 AUG 77

25 AUG 77

25 AUG 77

25 AUG 77

25 AUG 77

25 AUG 77

25 AUG 77

25 AUG 77

25 AUG 77

25 AUG 77

25 AUG 77

25 AUG 77

25 AUG 77

25 AUG 77

25 AUG 77

25 AUG 77

25 AUG 77

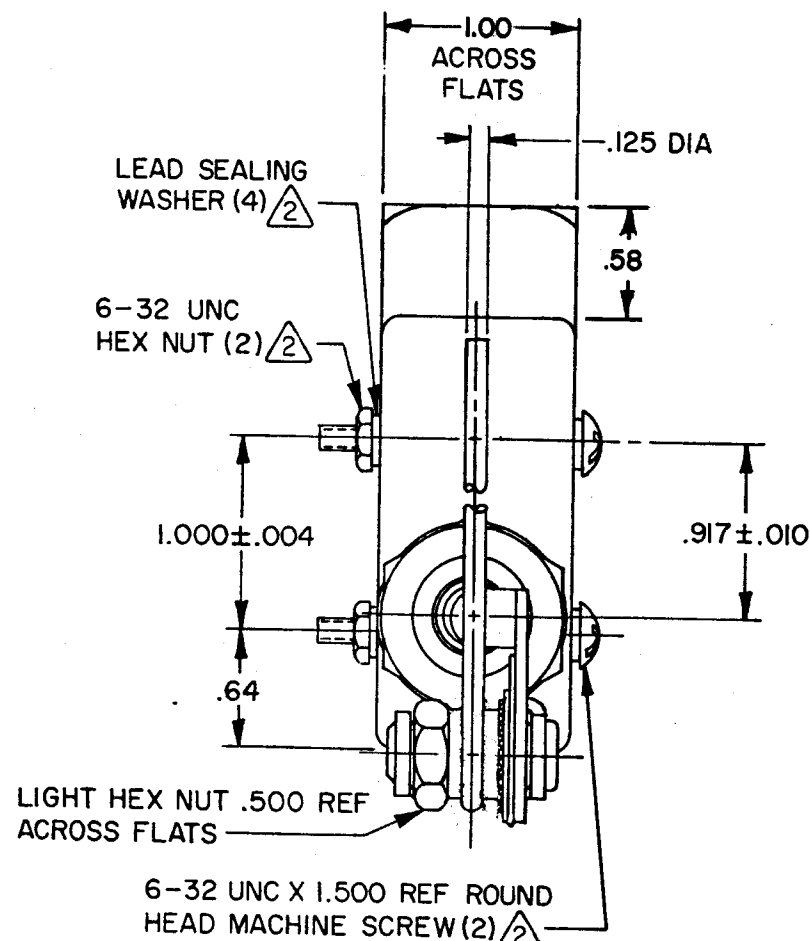
25 AUG 77

25 AUG 77

25 AUG 77

25 AUG 77

25 AUG 77

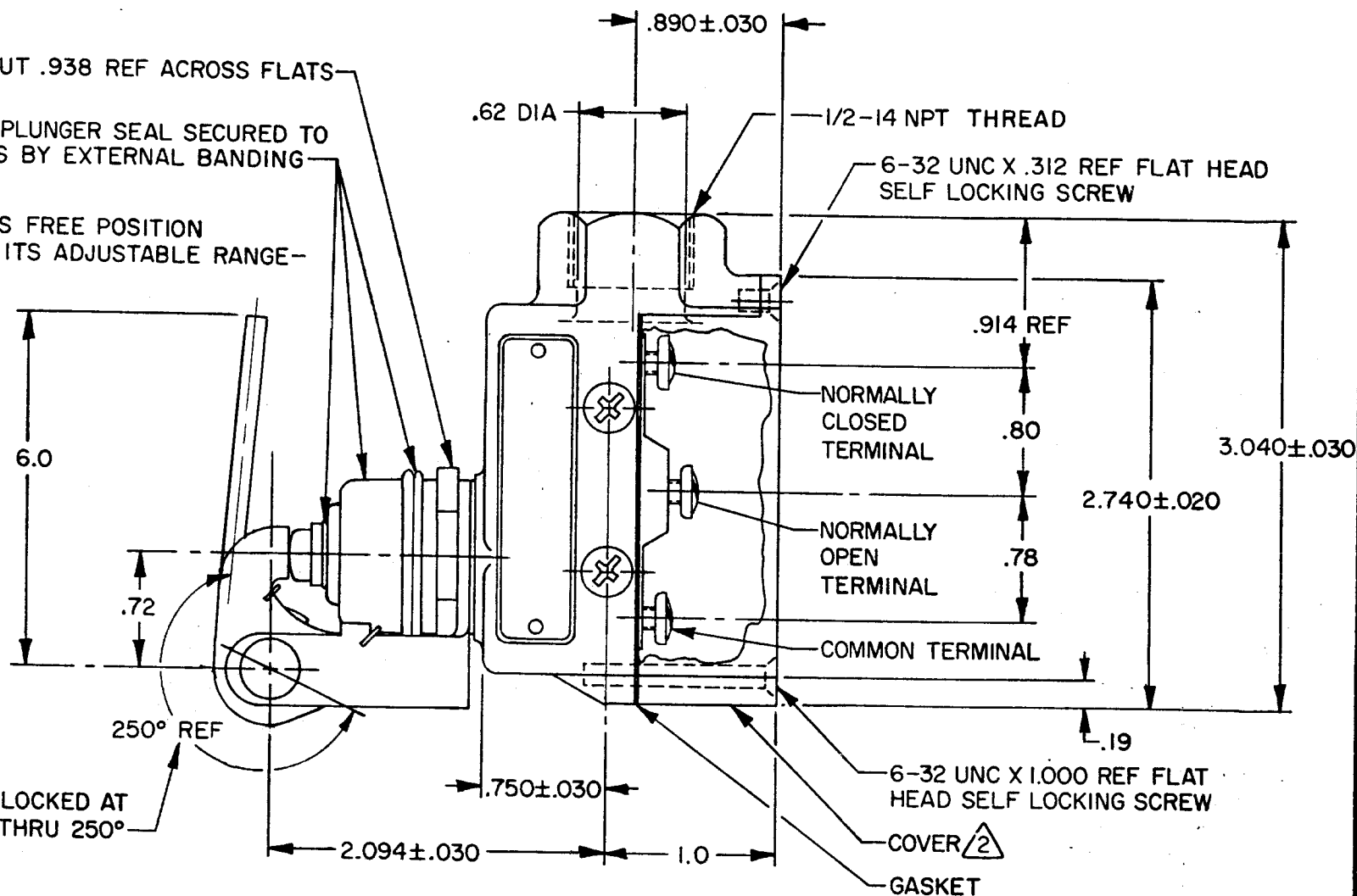


HEX SEAL NUT .938 REF ACROSS FLATS

ELASTOMER PLUNGER SEAL SECURED TO COMPONENTS BY EXTERNAL BANDING

LEVER IS SHOWN IN ITS FREE POSITION AT ONE EXTREME OF ITS ADJUSTABLE RANGE-

LEVER MAY BE LOCKED AT ANY POSITION THRU 250°



NOTES-

- ① - 6-32 UNC X .219 REF BINDING HEAD TERMINAL SCREW AND CUPWASHER (3)
- ② - FURNISHED UNASSEMBLED
- ③ - LEVER BRACKET ASSEMBLY MAY BE SET AT ANY POSITION AROUND AXIS OF PLUNGER

THIS DRAWING COVERS A PROPRIETARY ITEM AND IS THE PROPERTY OF MICRO SWITCH, A DIVISION OF HONEYWELL. THIS DRAWING IS NOT TO BE COPIED OR USED WITHOUT THE APPROVAL OF MICRO SWITCH.

CHARACTERISTICS	ELECTRICAL DATA	SCALE FULL
OPERATING FORCE — — — 3-7 OZ	CONTACT ARRANGEMENT S P D T	DO NOT SCALE PRINT
RELEASE FORCE — — — 1 OZ MIN	15A-125, 250 OR 480 VAC, 2A-600 VAC 1/8 HP-125 VAC; 1/4 HP-250 VAC 1/2A-125 VDC; 1/4A-250 VDC CODE L74	UNLESS OTHERWISE NOTED
PRETRAVEL — — — .718 MAX		DIMENSIONS ARE IN INCHES
DIFFERENTIAL TRAVEL — — .229 MAX		TOLERANCES ARE:
OVERTRAVEL — — — .838 MIN		ONE PLACE (.0) ±.030
BASIC SWITCH REPLACEMENT — BZ-2RN702		TWO PLACE (.00) ±.015
		THREE PLACE (.000) ±.005
		ANGLES ±
		WEIGHT .71 LB

FO-52851-A

DRAWN

TMM 23 AUG 77

CHECK K P K 25 AUG 77