

BZE6-2RN5

M

DRAWING NUMBER

REPLACES

PR-8488

BP

22 NOV 05

7

CHECK

REVISIONS

A

CO5391-G

CJM

MAY 84

B

CO55989

J-A P

NOV 84

C

CO54958

G J W

JAN 85

D

CO72476

MAM

4 SEP 92

CO-

77179A

K D R

17 FEB 94

F

0017057

VKR

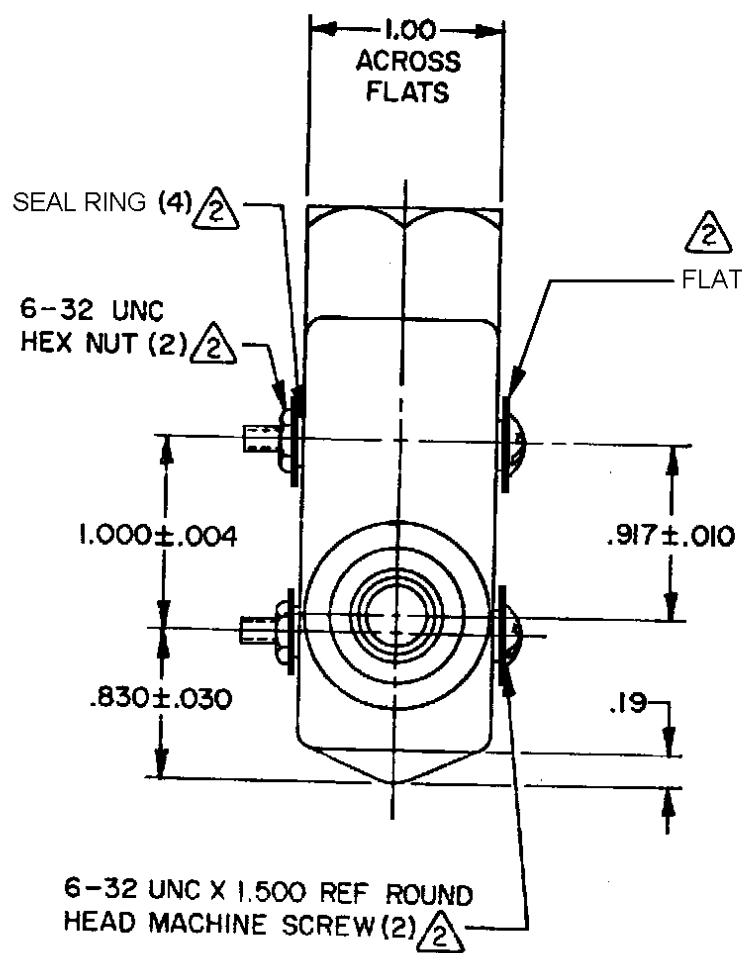
22NOV05

FO-32881-A

WJM

25 FEB 80

DRAWN



FLAT WASHER (4) (2)

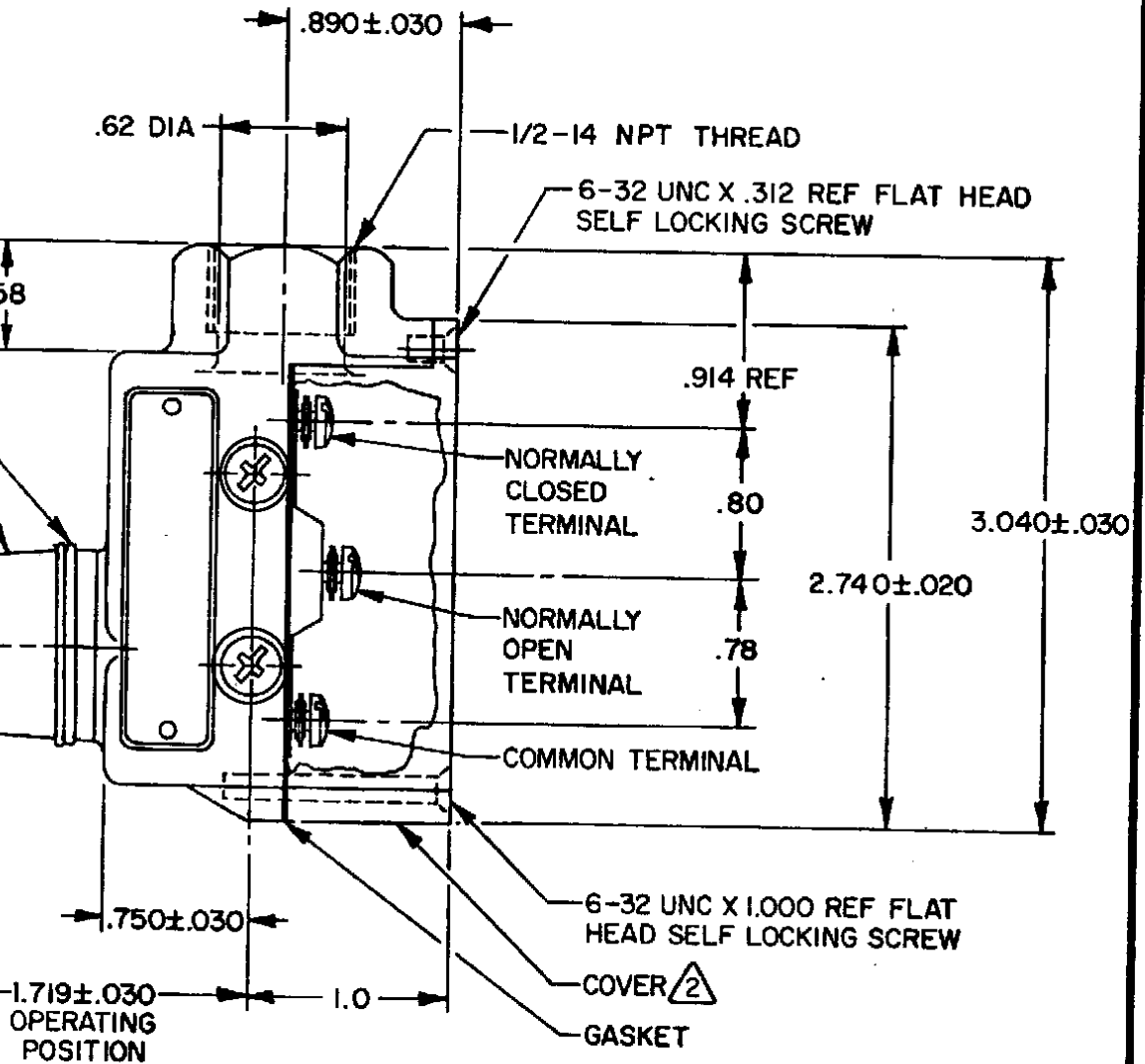
ELASTOMER PLUNGER SEAL SECURED TO COMPONENTS BY EXTERNAL BANDING

HARDENED STEEL PLUNGER

.33 DIA

.47 SPHERICAL R

.078 MAX PRETRAVEL



NOTES-

- 1 - 6-32 UNC X .219 REF BINDING HEAD TERMINAL SCREW AND WASHER (SEMS)(3)
- (2) FURNISHED UNASSEMBLED
- 3 - ALL PLASTIC PARTS ARE FUNGUS RESISTANT
- 4 - SEAL RATING: NEMA1,3
IP54

THIS DRAWING COVERS A PROPRIETARY ITEM AND IS THE PROPERTY OF MICRO SWITCH, A DIVISION OF HONEYWELL. THIS DRAWING IS NOT TO BE COPIED OR USED WITHOUT THE APPROVAL OF MICRO SWITCH.

| CHARACTERISTICS | ELECTRICAL DATA | SCALE FULL |
|----------------------------------------|-------------------------------------------------------------------------------------------------------------------|--------------------------|
| OPERATING FORCE ----- 15-39 OZ | CONTACT ARRANGEMENT S P D T | DO NOT SCALE PRINT |
| RELEASE FORCE ----- 10 OZ MIN | 15A-125, 250 OR 480 VAC, 2A-600 VAC 1/8 HP-125 VAC; 1/4 HP-250 VAC 1/2 A-125 VDC; 1/4 A-250 VDC CODE L74 | UNLESS OTHERWISE NOTED |
| DIFFERENTIAL TRAVEL ----- .002 MAX | CE 1.5A, 240Vac | DIMENSIONS ARE IN INCHES |
| OVERTRAVEL ----- .219 MIN | | TOLERANCES ARE: |
| BASIC SWITCH REPLACEMENT - BZ-2RQ6706T | | ONE PLACE (.0) ±.030 |
| | | TWO PLACE (.00) ±.015 |
| | | THREE PLACE (.000) ±.008 |
| | | ANGLES ± |
| | | WEIGHT .56 LB |