

MICRO SWITCH

FREERPORT, ILLINOIS, U.S.A.
A DIVISION OF HONEYWELL

FED. MFG. CODE 91929

SWITCH-ENCLOSED

CATALOG LISTING
BZE6-2RN2-S

M BZE6-2RN2-S

DRAWING NUMBER

ISSUE

4

REPLACES

RELEASE NO. PR-14373

CHECK

NOV 85

NOV 85

FEB 94

FEB 94

FEB 97

FEB 97

FEB 97

FEB 97

FEB 97

FEB 97

FEB 97

FEB 97

FEB 97

FEB 97

FEB 97

FEB 97

FEB 97

FEB 97

FEB 97

FEB 97

FEB 97

FEB 97

FEB 97

FEB 97

FEB 97

FEB 97

FEB 97

FEB 97

FEB 97

FEB 97

FEB 97

FEB 97

FEB 97

FEB 97

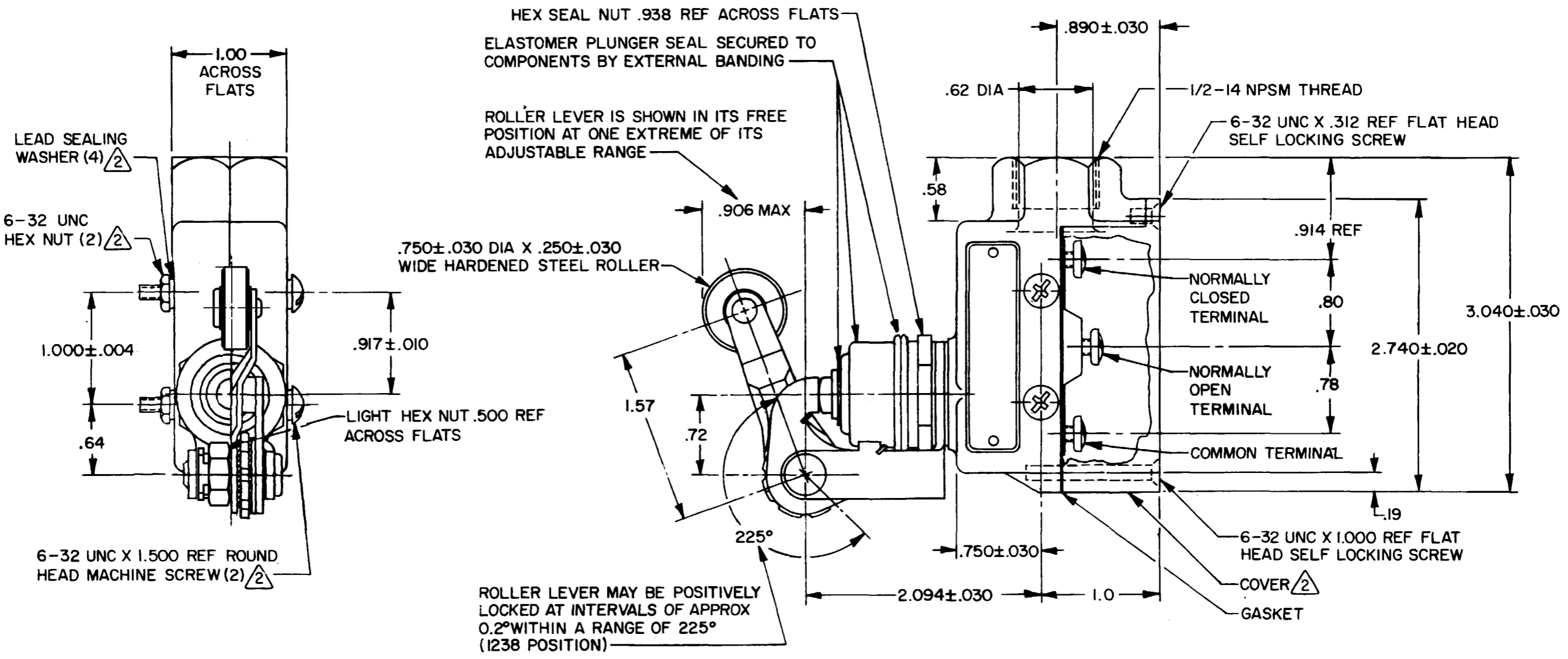
FEB 97

FEB 97

FEB 97

FEB 97

FEB 97



REVISIONS

| | | | |
|---|-----------|-----------|-----------|
| A | CO72476 | 4 SEP 92 | 22 NOV 85 |
| B | CO-77179A | 17 FEB 94 | 25 NOV 85 |
| C | CO81513B | 25 FEB 97 | 25 NOV 85 |

FORMTEK
DRAWN
TSK
20 NOV 85
CHECK
CEC
25 NOV 85
CHECK
ROB
25 FEB 97

THIS DRAWING COVERS A PROPRIETARY ITEM AND IS THE PROPERTY OF MICRO SWITCH, A DIVISION OF HONEYWELL. THIS DRAWING IS NOT TO BE COPIED OR USED WITHOUT THE APPROVAL OF MICRO SWITCH.

| CHARACTERISTICS | ELECTRICAL DATA |
|------------------------------------------|------------------------------------|
| OPERATING FORCE ----- 10-20 OZ | CONTACT ARRANGEMENT S P D T |
| RELEASE FORCE ----- 6 OZ MIN | L74 |
| PRETRAVEL ----- .188 MAX | 15A 125, 250, OR 480VAC 2A 600 VAC |
| DIFFERENTIAL TRAVEL ----- .006 MAX | 1/8 HP 125 VAC, 1/4 HP 250 VAC |
| OVERTRAVEL ----- .219 MIN | 1/2A 125 VDC, 1/4A 250 VDC |
| BASIC SWITCH REPLACEMENT ----- BZ-2RN702 | |

| | | | |
|--------------------|-------------------------------------------------------------------------------------------|-------------------------------------|------------|
| SCALE | FULL | | |
| DO NOT SCALE PRINT | | | |
| TOLERANCES | APPLY TO DESIGN UNITS. CONVERSIONS ARE ONLY FOR REFERENCE. UNLESS NOTED, TOLERANCES ARE 2 | | |
| NO PLACES | DM. TOL. DM. TOL. | DM. TOL. DM. TOL. | |
| ONE PLACE | mm .1/64 in | mm .001 in | mm .001 in |
| TWO PLACES | mm .01/64 in | mm .002 in | mm .002 in |
| THREE PLACES | mm .001/64 in | mm .003 in | mm .003 in |
| ANGLES | | | |
| DESIGN UNITS | SI METRIC | US CUSTOMARY | |
| | <input type="checkbox"/> | <input checked="" type="checkbox"/> | |
| | THIRD ANGLE PROJECTION | | |
| WEIGHT | .71 LB | | |

- NOTES
- 1 - 6-32 UNC X .219 REF BINDING HEAD TERMINAL SCREW AND CUPWASHER (3)
 - 2 - FURNISHED UNASSEMBLED
 - 3 - ROLLER LEVER BRACKET ASSEMBLY MAY BE SET AT ANY POSITION AROUND AXIS OF PLUNGER