

MICRO SWITCH
a Honeywell Division

FED. MFG. CODE 91929

SWITCH - ENCLOSED

CATALOG LISTING
BZE6-2RN2-F6

CATALOG LISTING
BZE6-2RN2-F6

PAGE 1 OF 1

ISSUE
M
2

REVISIONS
A 0017273
21 NOV 05

CHECK
RJ 21 NOV 05

CHECK
RJ 15 MAY 98

CHECK
JAF

CHECK
JAF

CHECK
JAF

CHECK
JAF

CHECK
JAF

CHECK
JAF

CHECK
JAF

CHECK
JAF

CHECK
JAF

CHECK
JAF

CHECK
JAF

CHECK
JAF

RELEASE NO. PR-23417 REPLACES

CHECK

CHECK

CHECK

CHECK

CHECK

CHECK

CHECK

CHECK

CHECK

CHECK

CHECK

CHECK

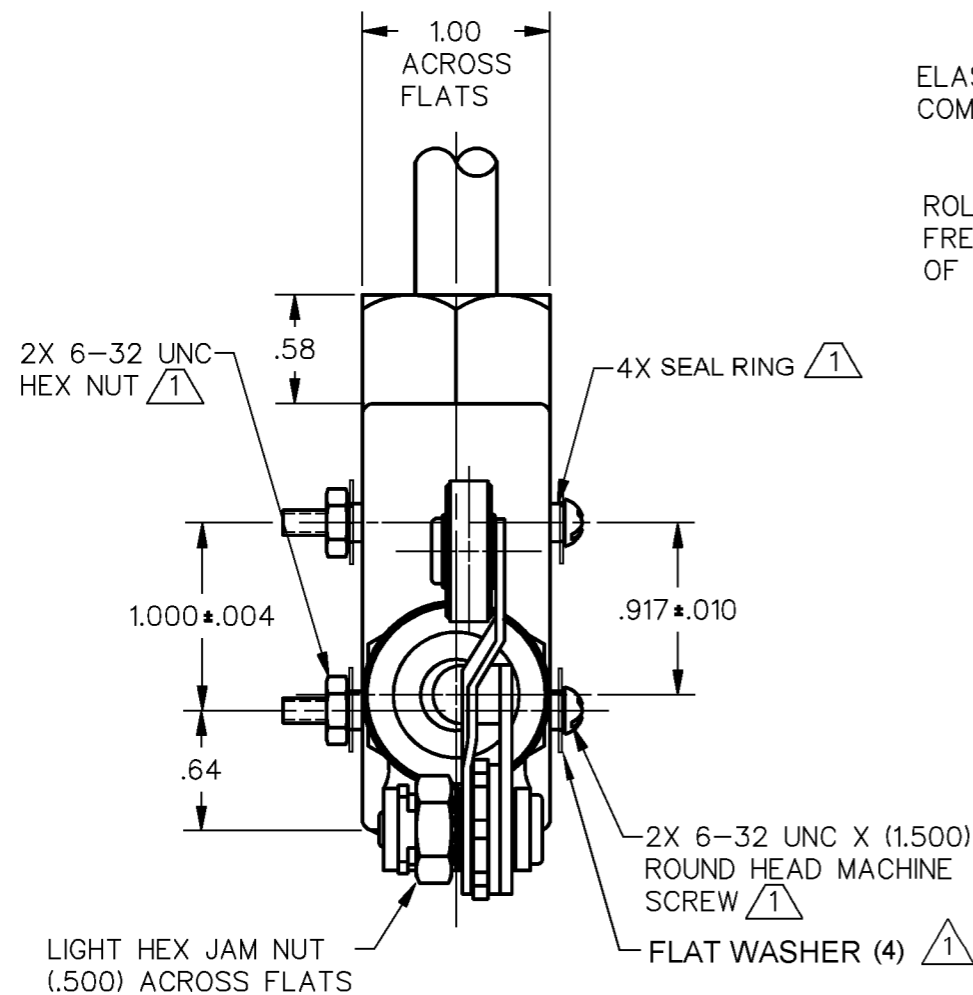
CHECK

CHECK

CHECK

CHECK

CHECK



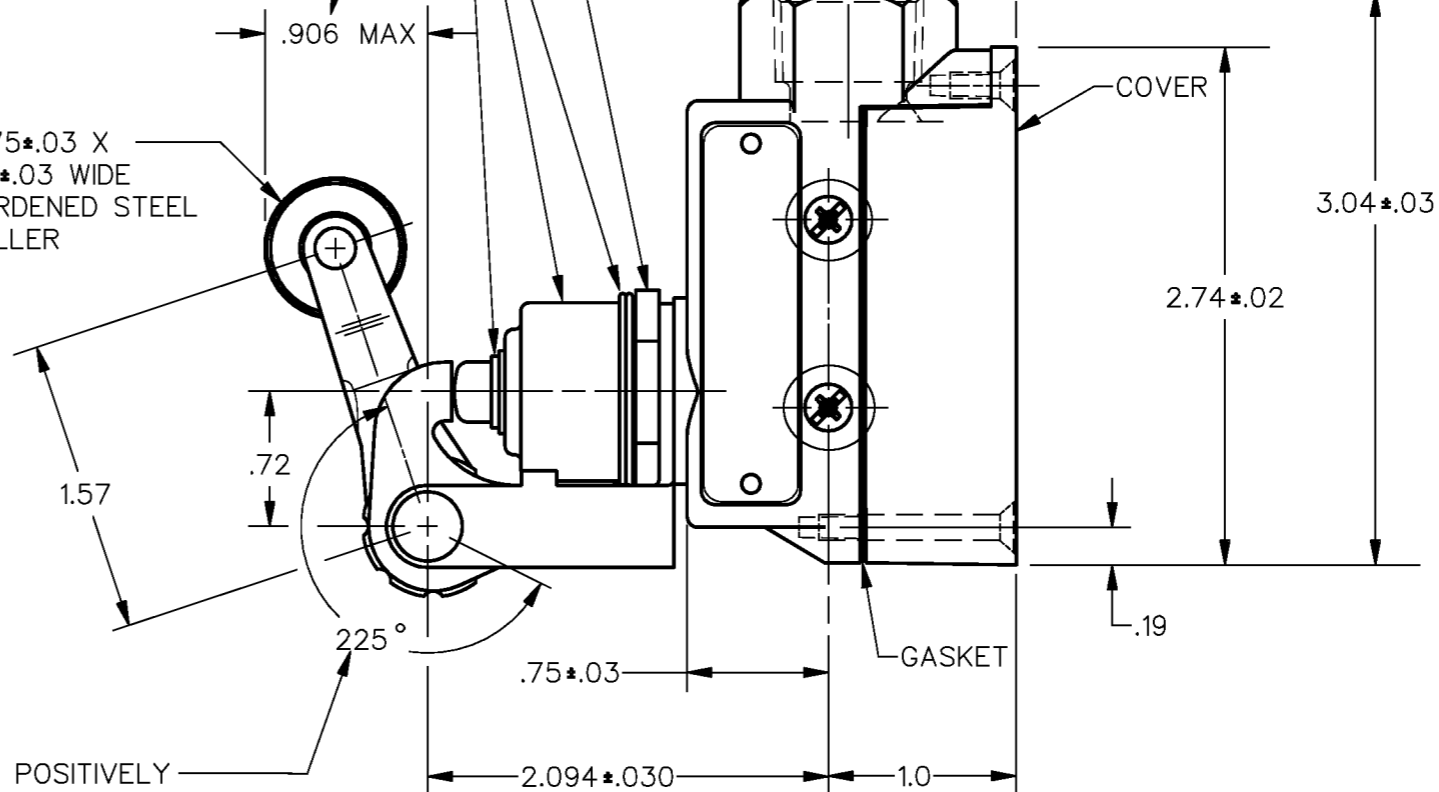
ROLLER LEVER MAY BE POSITIVELY LOCKED AT INTERVALS OF APPROXIMATELY 0.2° WITHIN A RANGE OF 225° (1238 POSITIONS)

HEX SEAL NUT (.938) ACROSS FLATS

ELASTOMER PLUNGER SEAL SECURED TO COMPONENTS BY EXTERNAL BANDING

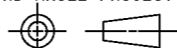
ROLLER LEVER IS SHOWN IN ITS FREE POSITION AT ONE EXTREME OF ITS ADJUSTABLE RANGE

Ø.75 ±.03 X .25 ±.03 WIDE HARDENED STEEL ROLLER



THIS DRAWING COVERS A PROPRIETARY ITEM AND IS THE PROPERTY OF MICRO SWITCH, A DIVISION OF HONEYWELL. THIS DRAWING IS NOT TO BE COPIED OR USED WITHOUT THE APPROVAL OF MICRO SWITCH

THIRD ANGLE PROJECTION



CHARACTERISTICS

OPERATING FORCE	14-26 OZ
RELEASE FORCE	10 OZ MIN
PRETRAVEL	.188 MAX
DIFFERENTIAL TRAVEL	.006 MAX
OVERTRAVEL	.219 MIN

ELECTRICAL DATA

CONTACT ARRANGEMENT S P D T	
L270	10A 125, 250 OR 480 VAC 2A 600 VAC
	1/8HP 125 VAC, 1/4HP 250 VAC 1/2A 125 VDC, 1/4A 250 VDC
1.5A, 240 Vac	

SCALE FULL

DO NOT SCALE PRINT

UNLESS OTHERWISE SPECIFIED TOLERANCES ARE

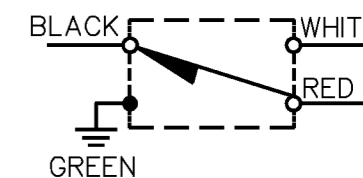
ONE PLACE	(.0)	±.030
TWO PLACE	(.00)	±.015
THREE PLACE	(.000)	±.005
ANGLES		±

WEIGHT

NOTE

- (1) FURNISHED UNASSEMBLED
- 2 - ROLLER LEVER BRACKET ASSEMBLY MAY BE SET AT ANY POSITION AROUND AXIS OF PLUNGER
- 3 - SWITCH CAVITY FULLY POTTED
- 4 - SEAL RATING: NEMA 1, 3, 4, 12, 13 IP 56

ANSI Y14.5M-1982 APPLIES



CIRCUIT DIAGRAM