

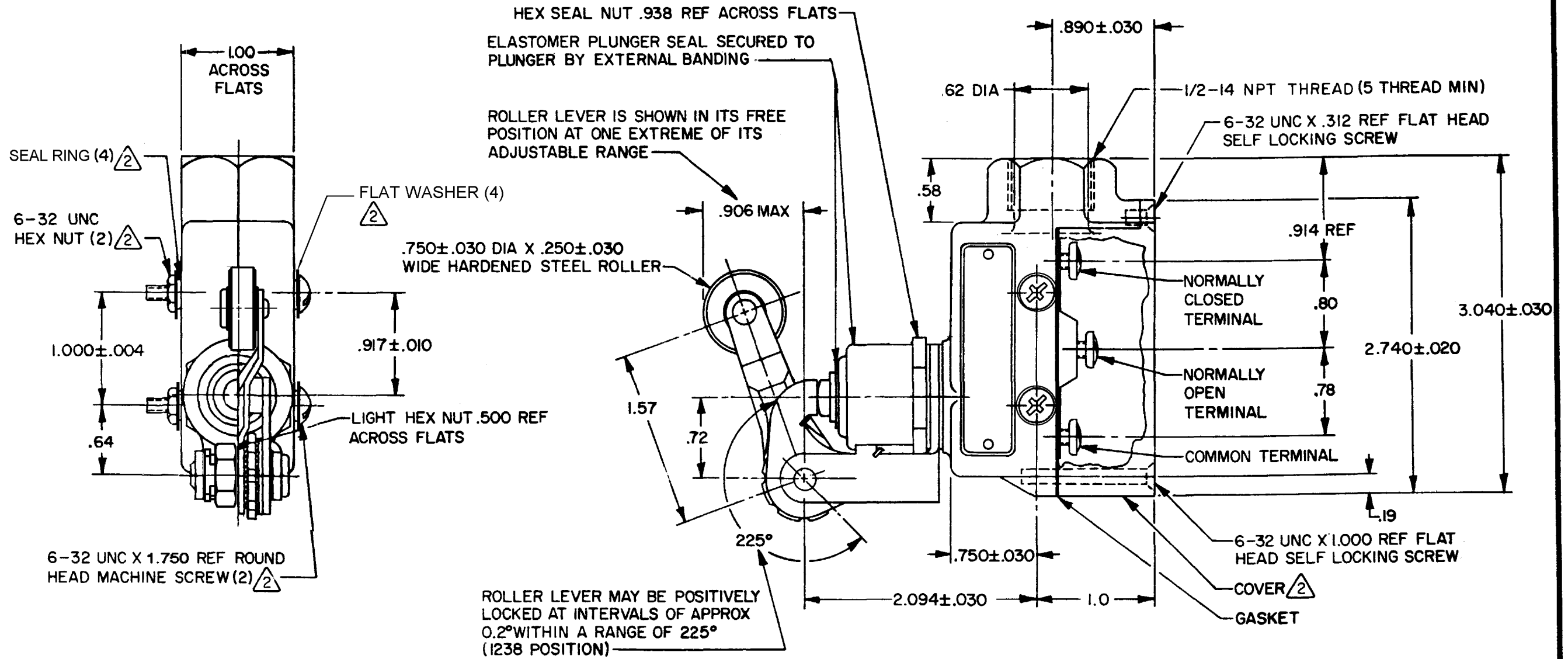
MICRO SWITCH
 FREEPORT, ILLINOIS, U.S.A.
 A DIVISION OF HONEYWELL
 FED. MFG. CODE 91929

SWITCH-ENCLOSED

CATALOG LISTING
BZE6-2RN221

M

BZE6-2RN221
 M
 DRAWING NUMBER
 10
 ISSUE
 PSR 29AUG07
 CHECK 24AUG06
 DVM
 MAM 4 SEP 92
 E
 JAK 25 FEB 97
 F
 VKR 23 NOV 05
 G
 RKP 24AUG06
 H
 KNS 30 OCT 06
 J
 BS 29AUG07
 RASTER
 T M M 23 AUG 77
 DRAWN
 CHECK
 P K
 25 JUL 77
 29 AUG 77
 REPLACES
 RELEASE NO.



NOTES -

- 1 - 6-32 UNC X .219 REF BINDING HEAD TERMINAL SCREW AND CUPWASHER (3)
- \triangle 2 - FURNISHED UNASSEMBLED
- 3 - ROLLER LEVER BRACKET ASSEMBLY MAY BE SET AT ANY POSITION AROUND AXIS OF PLUNGER
- 4 - SEAL RATING: NEMA 1,3,4
IP66

THIS DRAWING COVERS A PROPRIETARY ITEM AND IS THE PROPERTY OF MICRO SWITCH, A DIVISION OF HONEYWELL. THIS DRAWING IS NOT TO BE COPIED OR USED WITHOUT THE APPROVAL OF MICRO SWITCH.

CHARACTERISTICS	ELECTRICAL DATA	SCALE FULL
OPERATING FORCE — 14-26 OZ	CONTACT ARRANGEMENT S P D T	DO NOT SCALE PRINT
RELEASE FORCE — 10 OZ MIN	15A-125, 250 OR 480 VAC, 2A-600 VAC 1/8 HP-125 VAC; 1/4 HP-250 VAC 1/2A-125 VDC; 1/4A-250 VDC CODE L74 CE 1.5A, 240 Vac	UNLESS OTHERWISE NOTED DIMENSIONS ARE IN INCHES
PRETRAVEL — .188 MAX		TOLERANCES ARE:
DIFFERENTIAL TRAVEL — .006 MAX		ONE PLACE (.0) ± .030
OVERTRAVEL — .219 MIN		TWO PLACE (.00) ± .015
BASIC SWITCH REPLACEMENT — BZ-2RN7022		THREE PLACE (.000) ± .005
		ANGLES ± .005
		WEIGHT .71 LB