

MICRO SWITCH

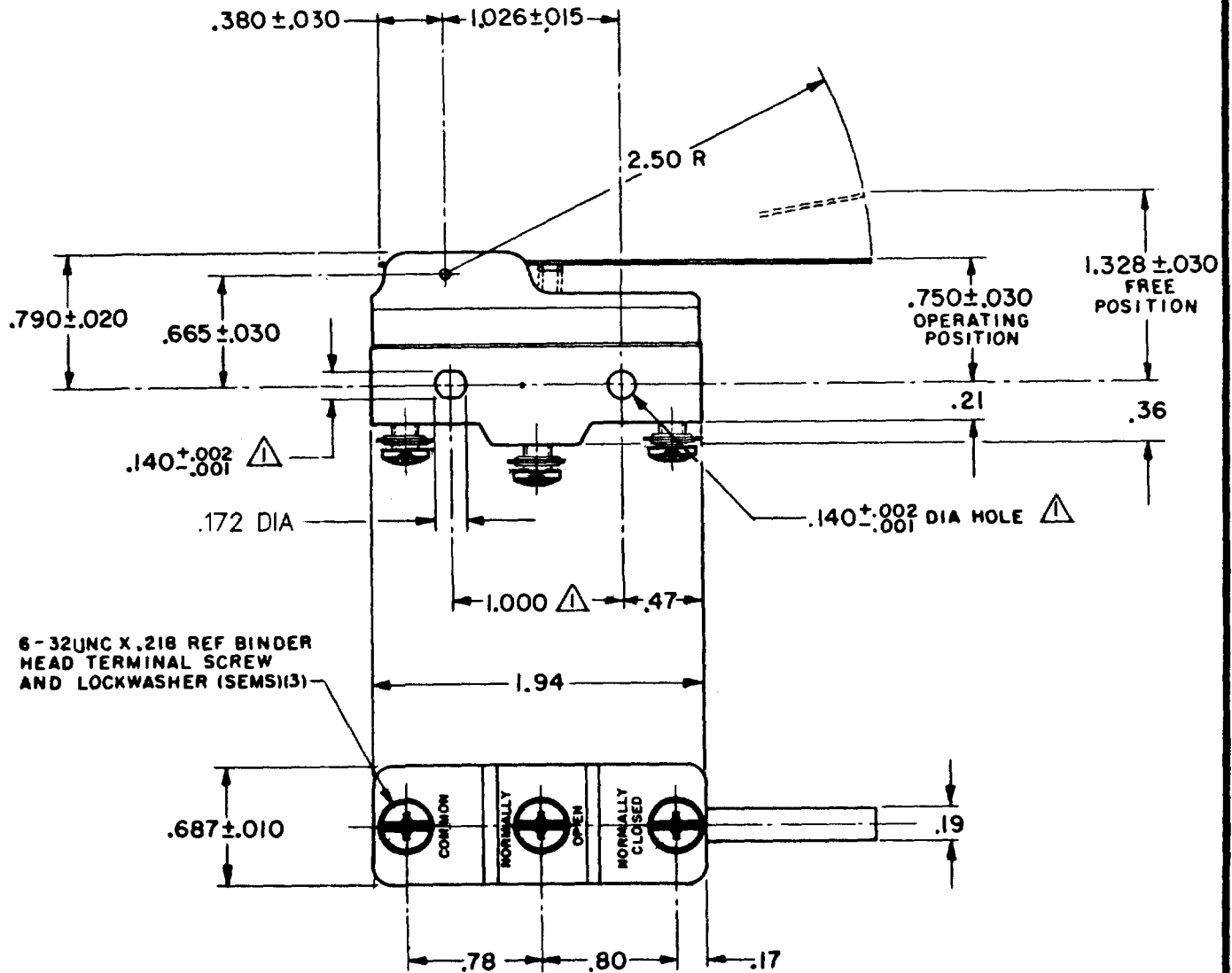
A DIVISION OF MINNEAPOLIS-HONEYWELL REGULATOR COMPANY
 MINNEAPOLIS, MINNESOTA

FED. MFR. CODE 91929

SWITCH - BASIC

CATALOG LISTING
BZ-7RWT80

AQJ2500



NOTE
 MOUNTING HOLES WILL ACCEPT PINS OR SCREWS OF .139 MAX DIA ON $1.000 \pm .002$ CENTERS

THIS DRAWING COVERS A PROPRIETARY ITEM AND IS THE PROPERTY OF MICRO SWITCH, A DIVISION OF MINNEAPOLIS-HONEYWELL REGULATOR CO. THIS DRAWING IS NOT TO BE COPIED OR USED WITHOUT THE APPROVAL OF MICRO SWITCH.

CHARACTERISTICS

OPERATING FORCE ----- 3 1/2 OZ MAX
 RELEASE FORCE ----- 1/2 OZ MIN
 DIFFERENTIAL TRAVEL ----- .050 - .125
 OVERTRAVEL ----- .219 MIN

ELECTRICAL DATA

CONTACT ARRANGEMENT
 S P D T

-L96- 15 A-125, 250, OR 480 VAC
 1/2 A-125 VDC; 1/4 A-250 VDC
 1/8 HP-125 VAC; 1/4 HP-250 VAC

-L288-
 -L315-
 -L306-



SCALE FULL

DO NOT SCALE PRINT

UNLESS OTHERWISE SPECIFIED

DIMENSIONS ARE IN INCHES

TOLERANCES ARE:

ONE PLACE (.0) $\pm .030$
 TWO PLACE (.00) $\pm .015$
 THREE PLACE (.000) $\pm .010$
 ANGLES \pm

WEIGHT .073 LB

M BZ-7RWT80
 DRAWING NUMBER
 ISSUE 10
 RELEASE NO.
 CHECK
 06 JAN 06
 06 JAN 06
 RJ
 CHECK
 21 SEPT 62
 DAW
 CHECK
 21 APRIL 62
 DRAWN
 FORMTEK
 FO-50378