

**MICRO SWITCH**  
a Honeywell Division

FED. MFG. CODE 91929

**SWITCH-BASIC**

CATALOG LISTING

**BZ-7RW204**

**M8805/I-055**

ISSUE 12

REPLACES

RELEASE NO.

CHECK

REVISIONS

A NEW DWG  
CO22575  
R R R  
8 JAN 68

B CO22575  
G.F.S  
8 AUG 68

C CO 52433  
WJM  
14 DEC 82

D CO 74330F  
T S M  
23 NOV 93

E CO -  
75422  
JWB  
DEC 93

F CO-94212-L  
DLM  
9 FEB 00

CHECK

LSO

CHECK

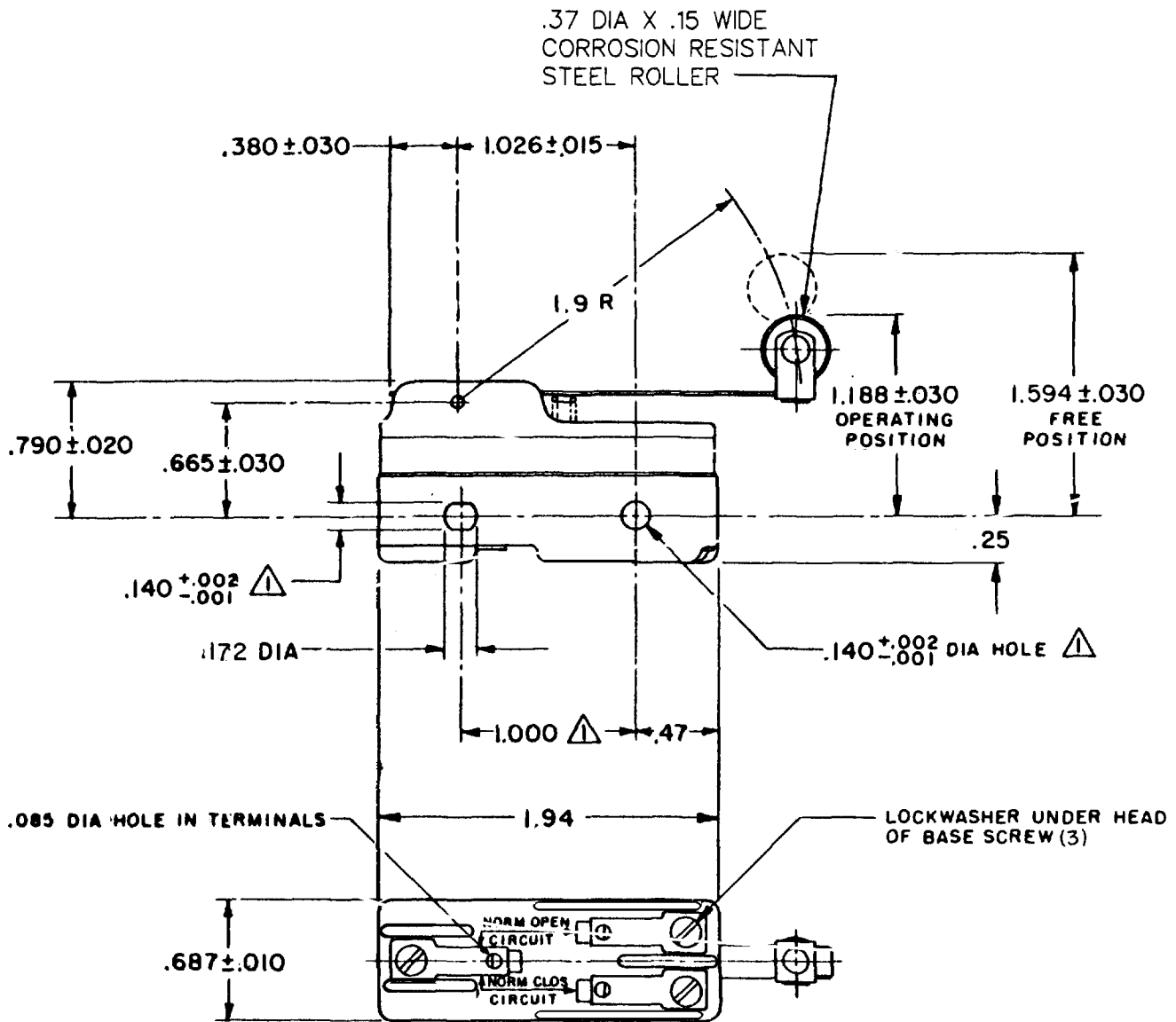
JAN 68

JAN 68

JAN 68

JAN 68

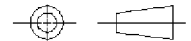
JAN 68



**NOTE -**  
MOUNTING HOLES WILL ACCEPT PINS OR SCREWS  
OF .139 MAX DIA ON 1.000 ± .002 CENTERS.

THIS DRAWING COVERS A PROPRIETARY ITEM AND IS THE PROPERTY OF MICRO SWITCH, A DIVISION OF HONEYWELL. THIS DRAWING IS NOT TO BE COPIED OR USED WITHOUT THE APPROVAL OF MICRO SWITCH.

THIRD ANGLE PROJECTION



**CHARACTERISTICS**

OPERATING FORCE ----- 1-4.5 OZ  
RELEASE FORCE ----- 0.75 OZ MIN  
PRETRAVEL ----- 469 MAX  
DIFFERENTIAL TRAVEL ----- .150 MAX  
OVERTRAVEL ----- .156 MIN

**ELECTRICAL DATA**

CONTACT ARRANGEMENT  
S P D T

SCALE FULL

DO NOT SCALE PRINT

UNLESS OTHERWISE SPECIFIED TOLERANCES ARE  
ONE PLACE (.0) ± .030  
TWO PLACE (.00) ± .015  
THREE PLACE (.000) ± .005  
ANGLES ±

WEIGHT 063 LB

CATALOG LISTING  
**BZ-7RW204**  
PAGE 1 OF 1

**M**

ISSUE 18

REVISIONS

A NEW DWG  
CO22575  
R R R  
8 JAN 68

B CO22575  
G.F.S  
8 AUG 68

C CO 52433  
WJM  
14 DEC 82

D CO 74330F  
T S M  
23 NOV 93

E CO -  
75422  
JWB  
DEC 93

F CO-94212-L  
DLM  
9 FEB 00

FORMTEK

DRAWN

RE R 2 JAN 68