



MICRO SWITCH

FREEPORT, ILLINOIS, U.S.A.
A DIVISION OF HONEYWELL

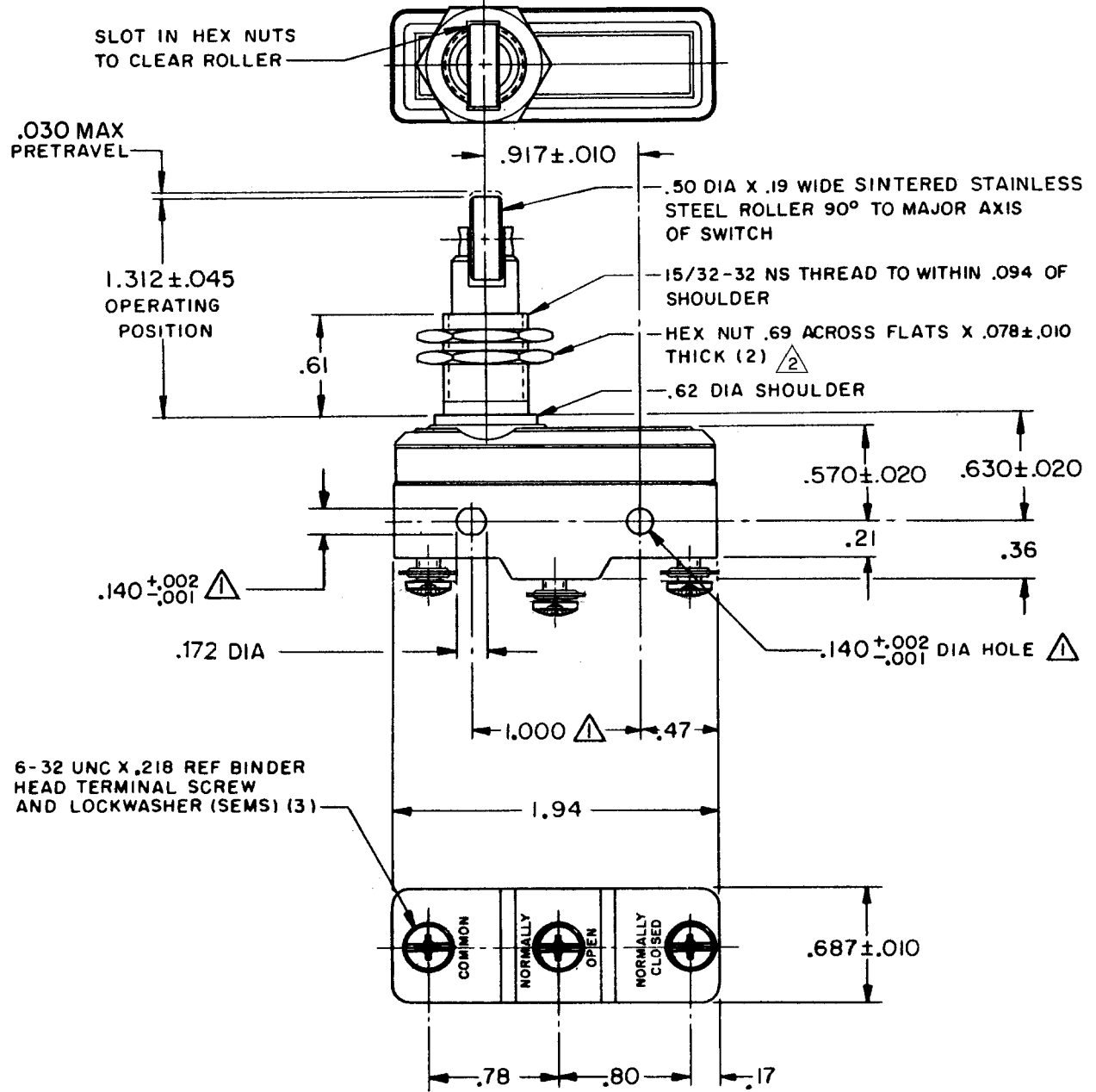
FED. MFG. CODE 91929

SWITCH - BASIC

CATALOG LISTING

BZ-7RQ181T

BZ-7RQ181T
 PAGE 1 OF 1
 M
 DRAWING NUMBER
 9
 ISSUE
 REVISIONS
 A CO17410
 R E R
 29 JUL 64
 B CO-69351-D
 JWB
 18 JUL 91
 C CO-77589
 K D R
 29 MAR 94
 D CO-77426-B
 DLT
 30 JUN 94
 E CO-82133
 CSI
 1 AUG 96
 F CO93346
 DLT
 11 SEP 98
 DRAWN
 3 AUG 64
 CHECK
 30 JUL 64
 FORMTEK
 FC-50378
 R E R
 30 JUL 64
 CHECK
 30 JUL 64
 DRAWN
 30 JUL 64
 CHECK
 30 JUL 64



6-32 UNC X .218 REF BINDER
HEAD TERMINAL SCREW
AND LOCKWASHER (SEMS) (3)

- NOTES
- ① MOUNTING HOLES WILL ACCEPT PINS OR SCREWS OF .139 MAX DIA ON 1.000±.002 CENTERS
 - ② HARDWARE FURNISHED UNASSEMBLED

THIS DRAWING COVERS A PROPRIETARY ITEM AND IS THE PROPERTY OF MICRO SWITCH, A DIVISION OF HONEYWELL. THIS DRAWING IS NOT TO BE COPIED OR USED WITHOUT THE APPROVAL OF MICRO SWITCH.

CHARACTERISTICS	ELECTRICAL DATA	SCALE FULL
OPERATING FORCE - - - - - 22-28 OZ	CONTACT ARRANGEMENT S P D T	DO NOT SCALE PRINT
RELEASE FORCE - - - - - 4 OZ MIN	UNDERWRITERS' LAB. INC. LISTED RATING	UNLESS OTHERWISE NOTED
DIFFERENTIAL TRAVEL - - .0025-.0050	-L96- 15 A-125, 250, OR 480 VAC	DIMENSIONS ARE IN INCHES
OVERTRAVEL - - - - - .141 MIN	1/2 A-125 VDC; 1/4 A-250 VDC	TOLERANCES ARE:
	1/8 HP-125 VAC; 1/4 HP-250 VAC	ONE PLACE (.0) ±.030
	-L288-	TWO PLACE (.00) ±.015
	-L299- 16A 250V ~ T85 5E4	THREE PLACE (.000) ±.005
	-L306-	ANGLES ±
		WEIGHT .120 LB