

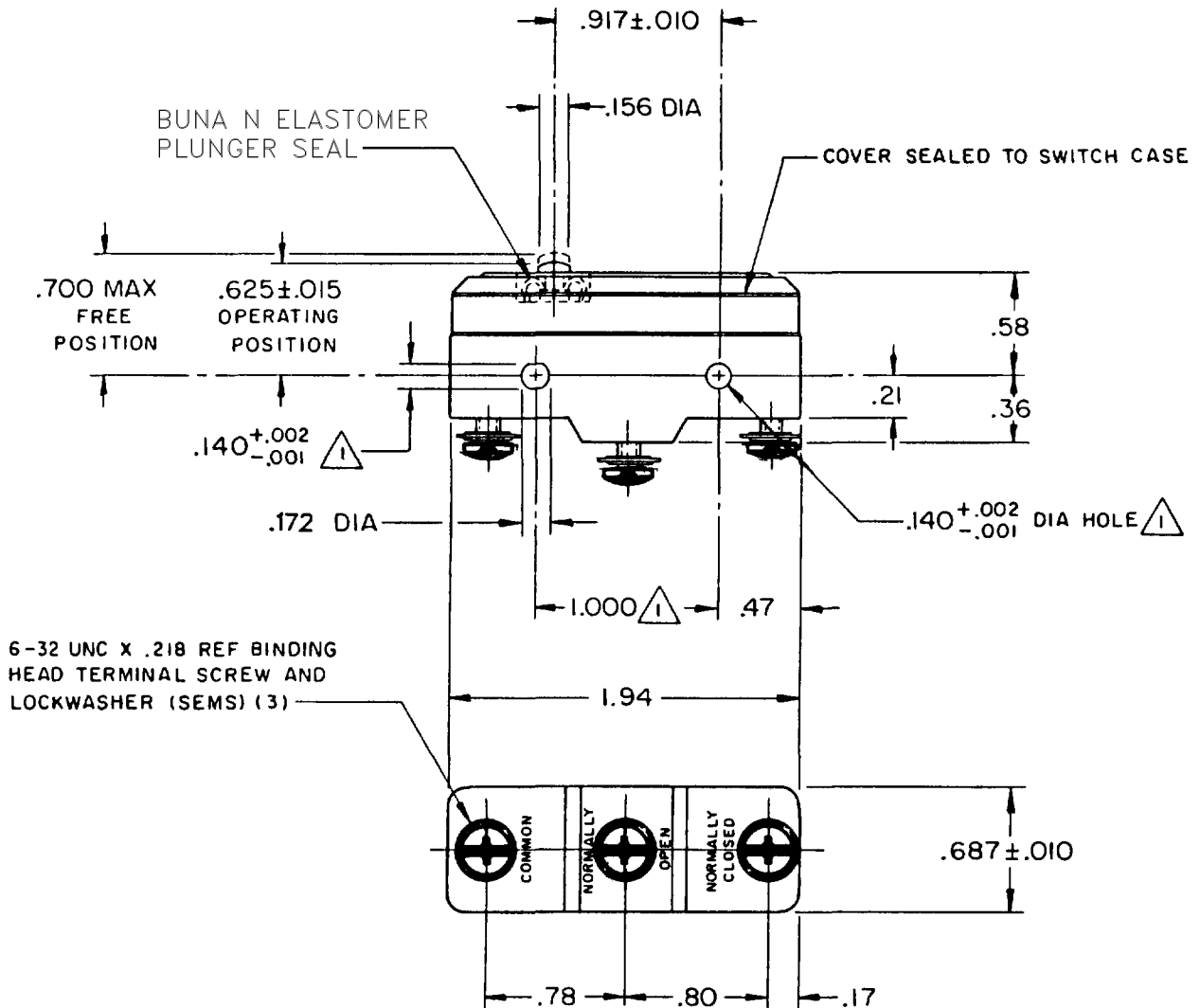
MICRO SWITCH

FREEPORT ILLINOIS, U.S.A
A DIVISION OF HONEYWELL
FED. MFG. CODE 91929

SWITCH-BASIC

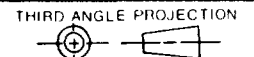
CATALOG LISTING
BZ-7R55T-S

M BZ-7R55T-S
 PAGE 1 OF 1
 DRAWING NUMBER
 ISSUE 8
 REVISIONS
 A CO-78656-B
 JALA 25 JUL 95
 B C093346
 DLT 23 SEP 98
 CHECK 18 OCT 77
 CHECK 18 OCT 77
 CHECK 18 OCT 77
 CHECK 18 OCT 77
 FORMTEK



NOTES
 1 MOUNTING HOLES WILL ACCEPT PINS OR SCREWS OF .139 MAX DIA ON 1.000 ± .002 CENTERS
 2 - SEALED CONSTRUCTION PROVIDES SPLASH RESISTANCE

THIS DRAWING COVERS A PROPRIETARY ITEM AND IS THE PROPERTY OF MICRO SWITCH, A DIVISION OF HONEYWELL. THIS DRAWING IS NOT TO BE COPIED OR USED WITHOUT THE APPROVAL OF MICRO SWITCH.



CHARACTERISTICS	
OPERATING FORCE	— — — 13-19 OZ
RELEASE FORCE	— — — 4 OZ MIN
DIFFERENTIAL TRAVEL	— .0025-.0050
OVERTRAVEL	— — — .005 MIN

ELECTRICAL DATA	
CONTACT ARRANGEMENT S P D T	
U. L. LISTED - FILE E12252 CODE L197 15A-125, 250, 277 VAC 1/8 HP-125 VAC; 1/4 HP-250 VAC 1/2A-125 VDC; 1/4A-250 VDC	
L288	CE
L299	Ⓧ
L306	SR
16A 250V	~ T85 5E4

SCALE FULL	
DO NOT SCALE PRINT	
TOLERANCES	
APPLY TO DESIGN UNITS. CONVERSIONS ARE ONLY FOR REFERENCE. UNLESS NOTED, TOLERANCES ARE ±	
DIM. mm	TOL. mm/in
NO PLACES X	1/04
ONE PLACE X,X	0.4/018
TWO PLACES X,XX	0.15/006
THREE PLACES X,XXX	0.13/005
ANGLES	
DESIGN UNITS	SI METRIC <input type="checkbox"/> US CUSTOMARY <input checked="" type="checkbox"/>
WEIGHT	.066 LB