

X62711-BZ

CATALOG LISTING
BZ-3R2446
PAGE 1 OF 1

REPLACES

RELEASE NO. PR-4795

M

ISSUE
4

CHECK

REVISIONS

A	C093346
DLT 28 AUG 98	
B	CO-94212-L DLM 9 FEB 00
C	205387 CSL 15 APR 02

CHECK

17 FEB 75

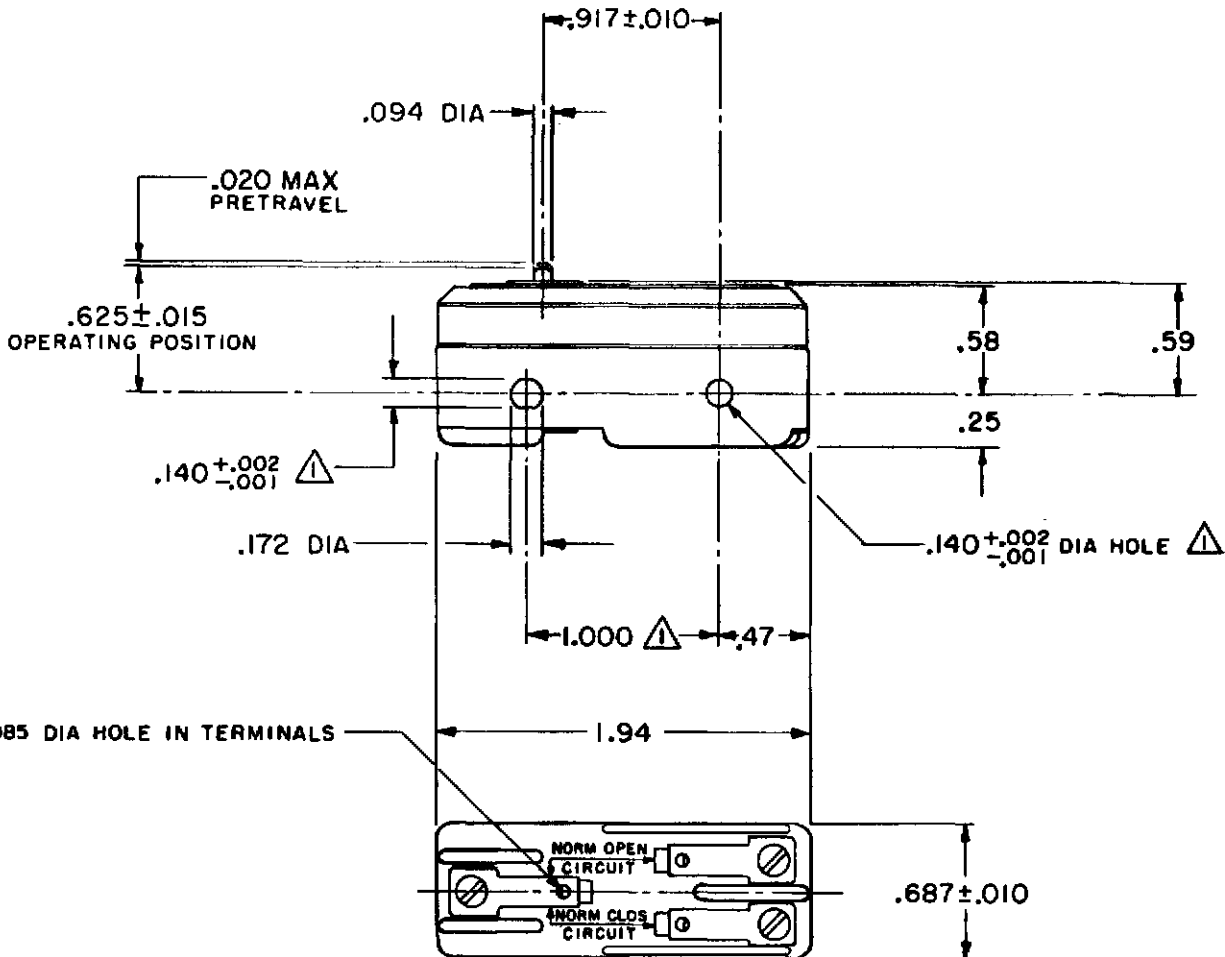
Draw

CHECK

R E R 13 FEB 75 CHECK

RASTER

DRAWN



NOTES

- 1 - MOUNTING HOLES WILL ACCEPT PINS OR SCREWS OF .139 MAX DIA ON 1.000 ± .002 CENTERS
- 2 - SWITCH WILL WITHSTAND TEMPERATURE OF 400° FOR 100 HOURS

THIS DRAWING COVERS A PROPRIETARY ITEM AND IS THE PROPERTY OF MICRO SWITCH, A DIVISION OF HONEYWELL. THIS DRAWING IS NOT TO BE COPIED OR USED WITHOUT THE APPROVAL OF MICRO SWITCH.

THIRD ANGLE PROJECTION



CHARACTERISTICS	ELECTRICAL DATA	SCALE FULL	DO NOT SCALE PRINT
OPERATING FORCE - - - - - .14-20 OZ	CONTACT ARRANGEMENT S P D T	UNLESS OTHERWISE SPECIFIED TOLERANCES ARE	ONE PLACE (.0) ± .030
DIFFERENTIAL FORCE - 6 1/2-10 1/2 OZ	L35 5A 125, <u>250</u> OR 480 VAC 1/2A 125 VDC, 1/4A 250 VDC		TWO PLACE (.00) ± .015
DIFFERENTIAL TRAVEL - - .0018-.0022	L288 CE UL Q		THREE PLACE (.000) ± .005
OVERTRAVEL - - - - - .005 MIN		ANGLES	±
		WEIGHT .050 LB	