



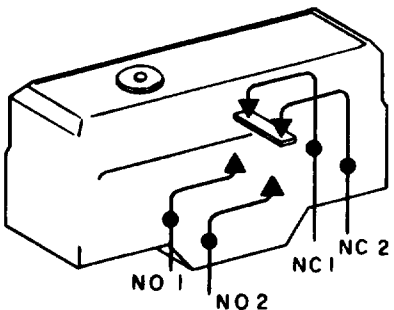
MICRO SWITCH

FREEPORT, ILLINOIS, U.S.A.
A DIVISION OF HONEYWELL

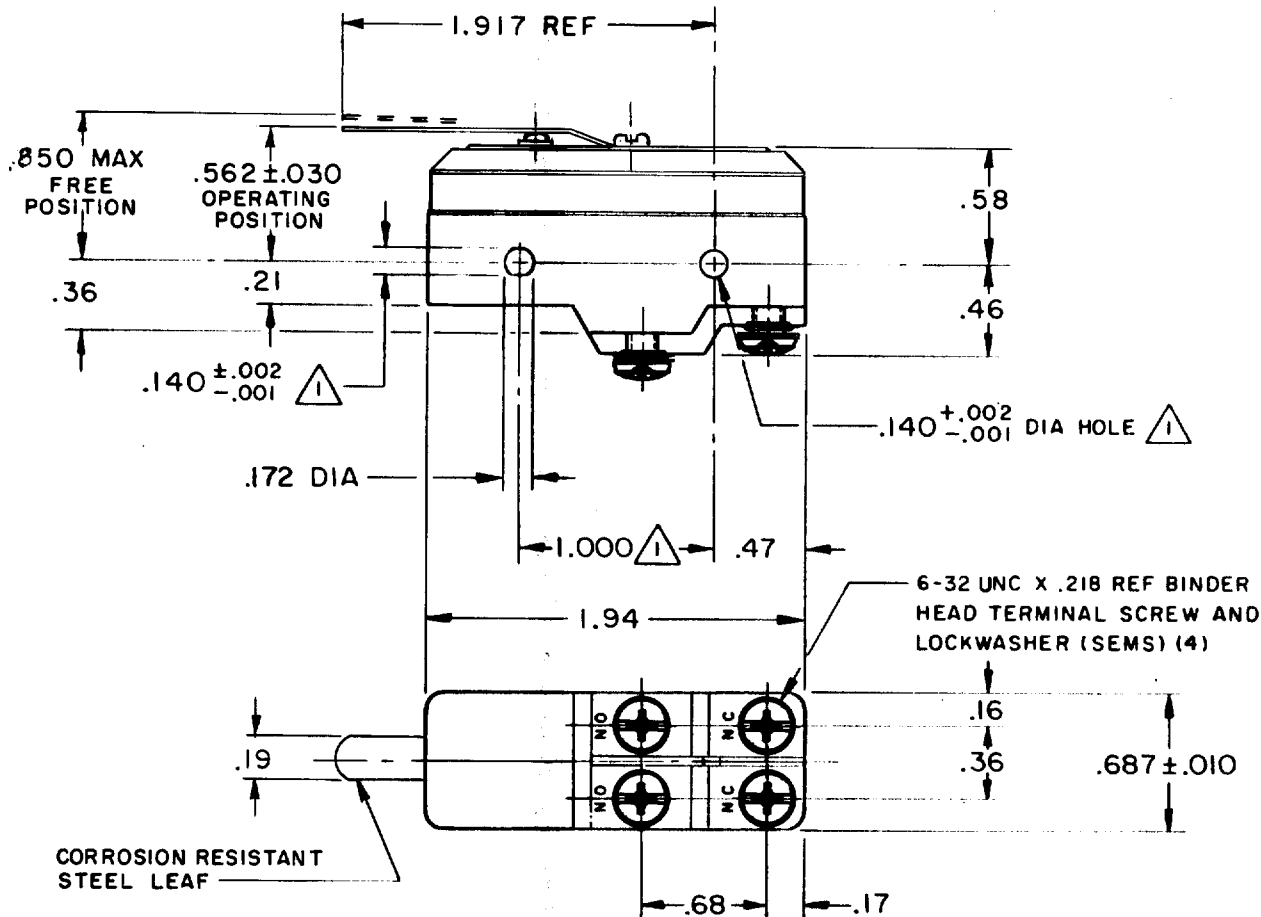
FED. MFG. CODE 91929

SWITCH-BASIC

CATALOG LISTING
BZ-3ALT1



CIRCUIT DIAGRAM



NOTE -
1 MOUNTING HOLES WILL ACCEPT PINS OR SCREWS OF .139 MAX DIA ON 1.000 ±.002 CENTERS
2 SUITABLE ONLY FOR APPLICATIONS IMPARTING A RAPID STROKE TO THE SWITCH PLUNGER

THIS DRAWING COVERS A PROPRIETARY ITEM AND IS THE PROPERTY OF MICRO SWITCH, A DIVISION OF MINNEAPOLIS-HONEYWELL REGULATOR CO. THIS DRAWING IS NOT TO BE COPIED OR USED WITHOUT THE APPROVAL OF MICRO SWITCH.

CHARACTERISTICS

OPERATING FORCE — — — — 9 OZ MAX
RELEASE FORCE — — — — 1 OZ MIN
DIFFERENTIAL TRAVEL — — — .175 MAX
DO NOT OVERTRAVEL MORE THAN — .060

ELECTRICAL DATA

CONTACT ARRANGEMENT
(SEE CIRCUIT DIAGRAM)
UNDERWRITERS' LAB. INC. LISTED RATING
15 A - 125, 250, OR 480 VAC
1 A - 125 VDC; 0.5 A - 250 VDC
1/4 HP - 125 VAC; 1/2 HP - 250 VAC

SCALE FULL

DO NOT SCALE PRINT

UNLESS OTHERWISE NOTED
DIMENSIONS ARE IN INCHES
TOLERANCES ARE:

ONE PLACE (.0) ±.030
TWO PLACE (.00) ±.015
THREE PLACE (.000) ±.005
ANGLES ±

WEIGHT



M BZ-3ALT1
DRAWING NUMBER
7
ISSUE
REVISIONS
A OBS CQ25587
K J A APR 69
B REINSTATE
D B W 26 JAN 72
C
D C032577 PR-3609
OCT 73
E CO-59351-D
JWB 18 JUL 91
F 0013541
TSG 31 MAY 05
FO-90378
DRAWN
M B F 18 DEC 63
CHECK
L S D 19 DEC 63
CHECK
C H G
19 DEC 63
CHECK
A K 31 MAY 05
RELEASE NO. PR-3609
REPLACES