

MICRO SWITCH

A DIVISION OF MINNEAPOLIS-HONEYWELL REGULATOR COMPANY
MINNEAPOLIS, MINNESOTA

FED. MFR. CODE 91929

SWITCH - BASIC

CATALOG LISTING

BZ-2RWT80

BZ-2RWT80
PAGE 1 OF 1

M

DRAWING
NUMBER

7

ISSUE

REPLACES

RELEASE NO.

CHECK

CHECK

17 APR 62

CHECK

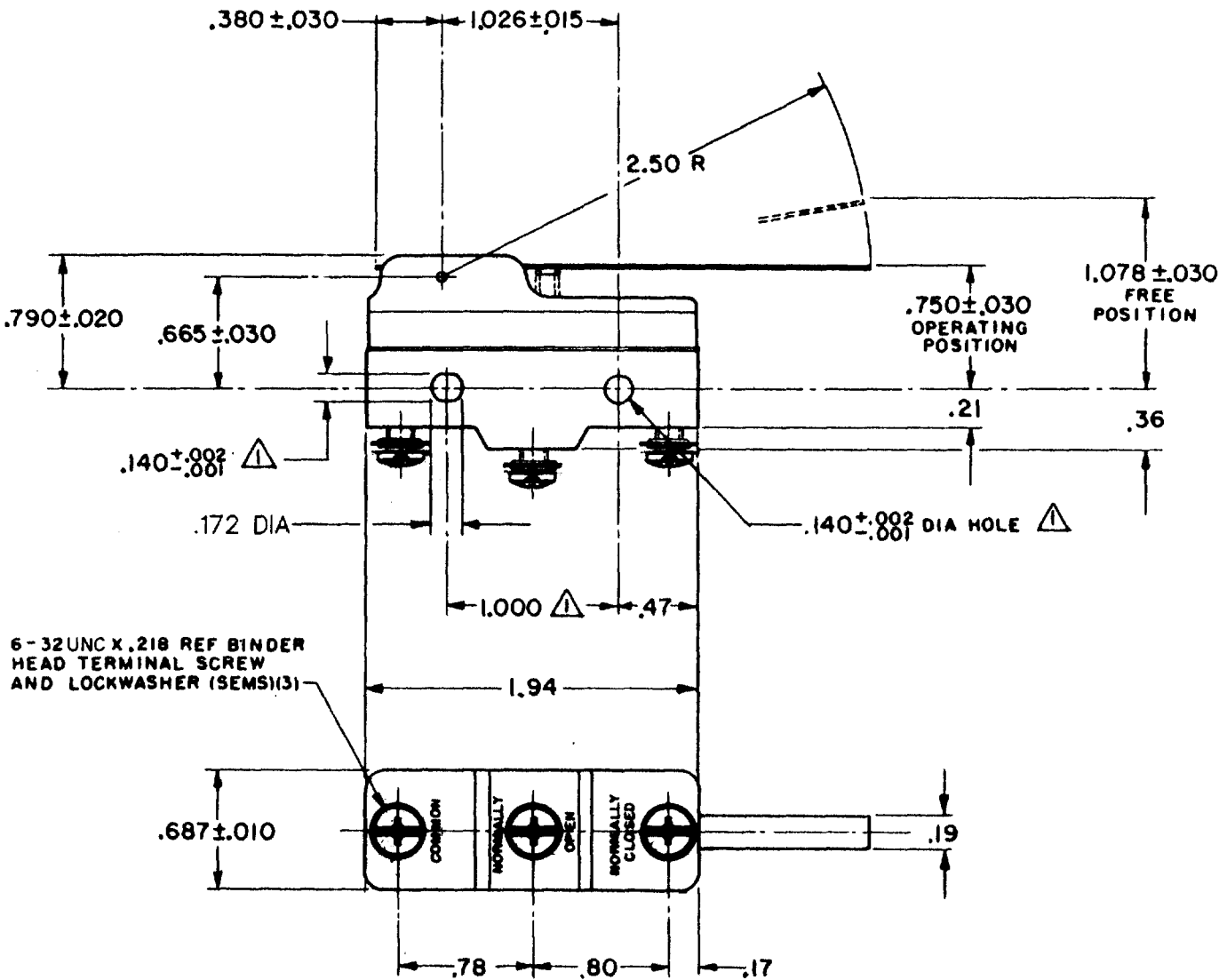
6 APRIL 62

DRAWN

REVISIONS

A	CO J6736	6 C H 6 APRIL 62
B	CO 34306	GLH 30 DEC 73
C	CO- 89351-D	JWB 18 JUL 91
D	CO 77589	TSM 29 MAR 94
E	CO93346	DLT 11 SEP 98

FORMTEK
FO-50378



NOTE
 ▲ MOUNTING HOLES WILL ACCEPT PINS OR SCREWS
 OF .139 MAX DIA ON 1.000 ± .002 CENTERS

THIS DRAWING COVERS A PROPRIETARY ITEM AND IS THE PROPERTY OF MICRO SWITCH, A DIVISION OF MINNEAPOLIS-HONEYWELL REGULATOR CO. THIS DRAWING IS NOT TO BE COPIED OR USED WITHOUT THE APPROVAL OF MICRO SWITCH.

CHARACTERISTICS	ELECTRICAL DATA	SCALE FULL	
OPERATING FORCE ----- 2 1/2 OZ MAX	CONTACT ARRANGEMENT S P D T	DO NOT SCALE PRINT	
RELEASE FORCE ----- 1/2 OZ MIN	UNDERWRITERS' LAB. INC. LISTED RATING -L96- 15A-125, 250, OR 480 VAC 1/2 A-125 VDC; 1/4 A-250 VDC 1/8 HP-125 VAC; 1/4 HP-250 VAC -L288- -L299- -L306-	UNLESS OTHERWISE SPECIFIED DIMENSIONS ARE IN INCHES	
DIFFERENTIAL TRAVEL ----- .007-.050			TOLERANCES ARE:
OVERTRAVEL ----- .219 MIN		16A 250V ~ T85 5E4	ONE PLACE (.0) ±.030 TWO PLACE (.00) ±.015 THREE PLACE (.000) ±.005 ANGLES ±
		WEIGHT .073 LB	