

MICRO SWITCH

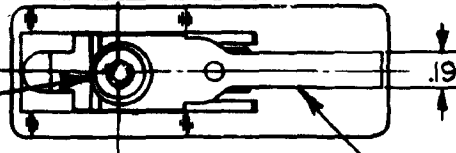
FREERPORT ILLINOIS, U.S.A
A DIVISION OF HONEYWELL
FED. MFG. CODE 91000

SWITCH - BASIC

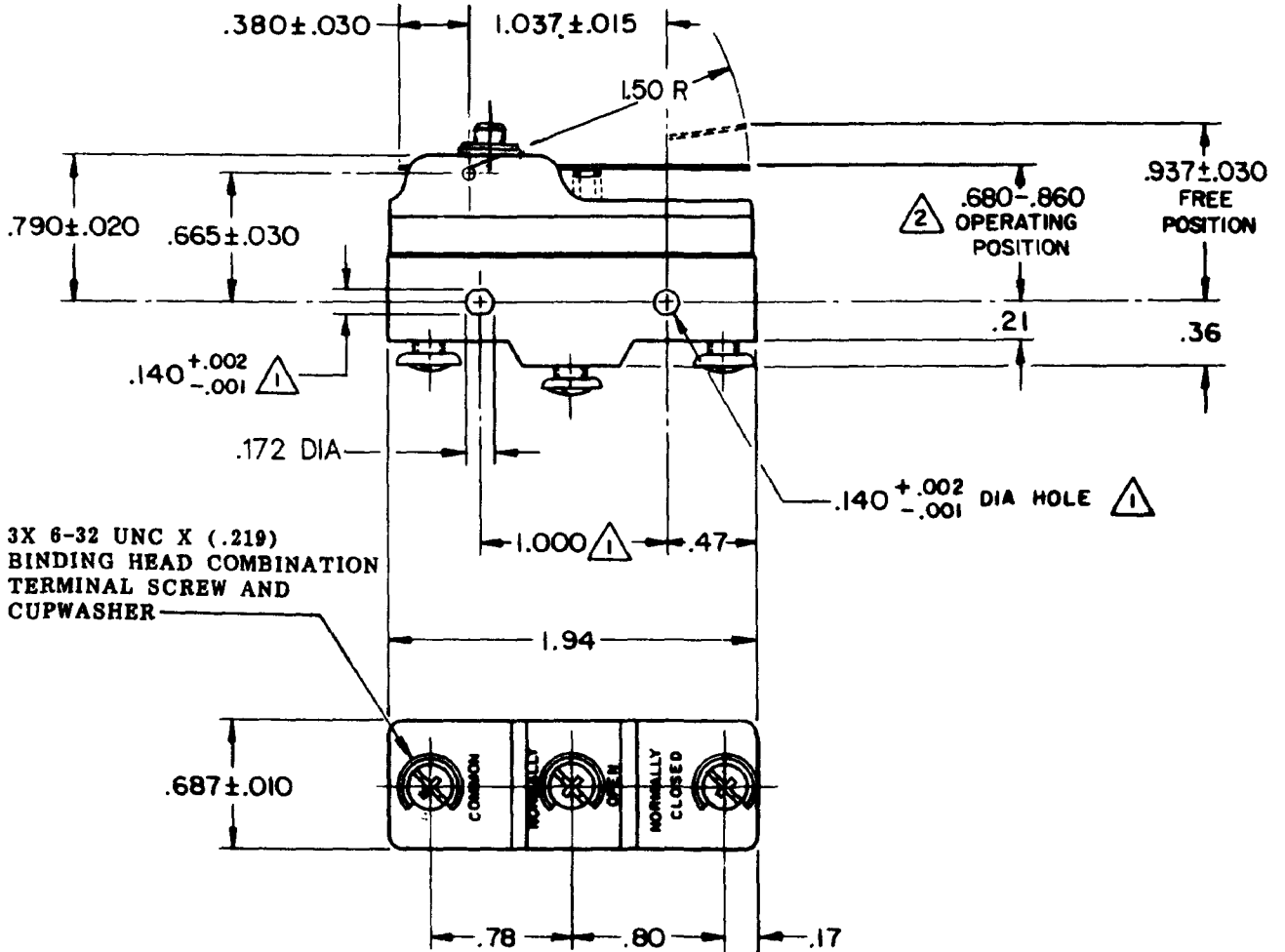
CATALOG LISTING
BZ-2RW89999-A2

APY7780

MOLDED NUT WITH SELF
LOCKING 6-32 UNC THREAD
X .250 LONG ADJUSTING
SCREW WITH .062
HEX SOCKET



CORROSION RESISTANT
STEEL LEVER



3X 6-32 UNC X (.219)
BINDING HEAD COMBINATION
TERMINAL SCREW AND
CUPWASHER

NOTE

- ① MOUNTING HOLES WILL ACCEPT PINS OR SCREWS OF .139 MAX DIA ON 1.000±.002 CENTERS
- ② ADJUSTING SCREW PERMITS ADJUSTMENT OF OPERATING POSITION THROUGH RANGE INDICATED
- ③ DO NOT OVERTRAVEL MORE THAN .210 FROM ANY OPERATING POSITION TO PROVIDE OPTIMUM MECHANICAL LIFE

THIS DRAWING COVERS A PROPRIETARY ITEM AND IS THE PROPERTY OF MICRO SWITCH, A DIVISION OF HONEYWELL. THIS DRAWING IS NOT TO BE COPIED OR USED WITHOUT THE APPROVAL OF MICRO SWITCH.

CHARACTERISTICS

OPERATING FORCE ----- 5 OZ MAX
RELEASE FORCE ----- 3/4 OZ MIN
DIFFERENTIAL TRAVEL ----- .004 -.030
OVERTRAVEL - ③ ----- .075 MIN FROM
.680 OPERATING POSITION

ELECTRICAL DATA

CONTACT ARRANGEMENT
S P D T

-L96- 15 A - 125, 250, OR 480 VAC
1/2 A - 125 VDC; 1/4 A - 250 VDC
1/8 HP - 125 VAC, 1/4 HP - 250 VAC

-L288-
-L315-
-L306- 05

16A 250V ~ T85 5E4

SCALE FULL

DO NOT SCALE PRINT
UNLESS OTHERWISE
NOTED
DIMENSIONS ARE IN INCHES
TOLERANCES ARE
ONE PLACE (.01) ±.030
TWO PLACE (.00) ±.015
THREE PLACE (.000) ±.005
ANGLES ±
WEIGHT

CATALOG LISTING
BZ-2RW89999-A2
PAGE 1 OF 1

ISSUE
M
12

REVISIONS

A	202244	C.S.L.	26 JAN 01
B	0017579	KRB	08 DEC 05

REPLACES
RELEASE NO. PR-3644

CHECK
08DEC05

CHECK
RJ

CHECK
NOV 73

CHECK
NOV 73

RASTER
FO-52848
DRAWN