



MICRO SWITCH

FREEPORT, ILLINOIS, U.S.A.
A DIVISION OF HONEYWELL

FED. MFG. CODE 91929

SWITCH-BASIC

CATALOG LISTING

BZ-2RW876-PC2

BZ-2RW876-PC2
PAGE 1 OF 1

M

DRAWING NUMBER

4

ISSUE

REPLACES

RELEASE NO. PR-17383

CHECK

REVISIONS:

A	CO-67851-A	BAB	15 AUG 90
B	CO-77592	DAW	15 AUG 94
C	CO93346	DLT	2 SEP 98

CHECK

89

JUN 89

JAP

CHECK

89

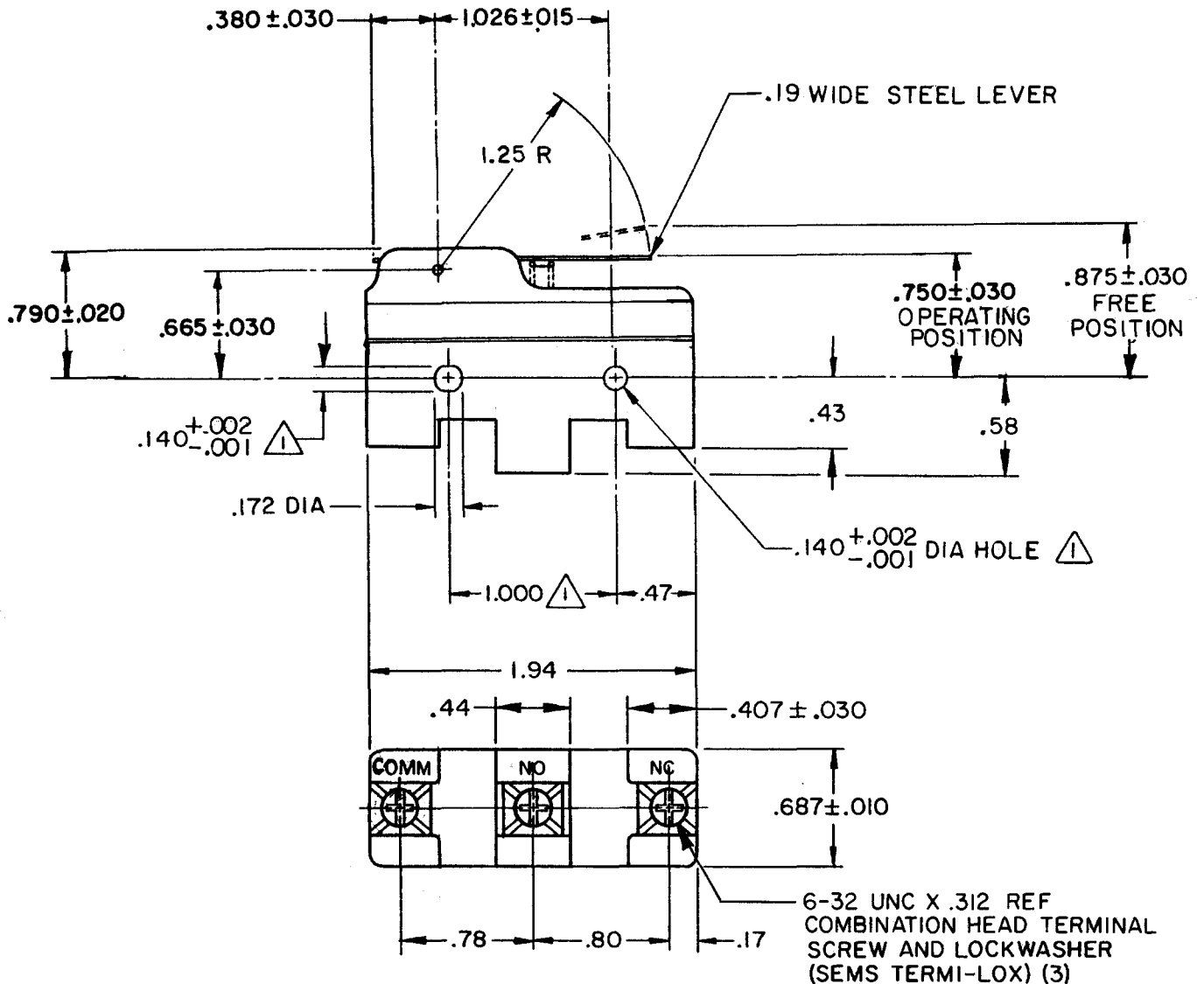
JUN 89

JAS

FORMTEK

FO-30376

DRAWN



NOTE
 1 MOUNTING HOLES WILL ACCEPT PINS OR SCREWS OF .139 MAX DIA ON 1.000 ± .002 CENTERS

THIS DRAWING COVERS A PROPRIETARY ITEM AND IS THE PROPERTY OF MICRO SWITCH, A DIVISION OF HONEYWELL. THIS DRAWING IS NOT TO BE COPIED OR USED WITHOUT THE APPROVAL OF MICRO SWITCH.

CHARACTERISTICS	ELECTRICAL DATA	SCALE FULL
OPERATING FORCE ----- 6 OZ MAX	CONTACT ARRANGEMENT S P D T	DO NOT SCALE PRINT
RELEASE FORCE ----- 1 1/2 OZ MIN	L74 15A 125, 250, OR 480VAC 2A 600 VAC 1/8 HP 125 VAC, 1/4 HP 250 VAC 1/2A 125 VDC, 1/4A 250 VDC	UNLESS OTHERWISE NOTED DIMENSIONS ARE IN INCHES TOLERANCES ARE:
DIFFERENTIAL TRAVEL ----- .004 - .025	L288 L299 L306	ONE PLACE (.0) ± .030 TWO PLACE (.00) ± .015 THREE PLACE (.000) ± .005 ANGLES ±
OVERTRAVEL ----- .141 MIN	CE D RU SF 16A 250V ~ T85 5E4	WEIGHT .073 LB