

MICRO SWITCH

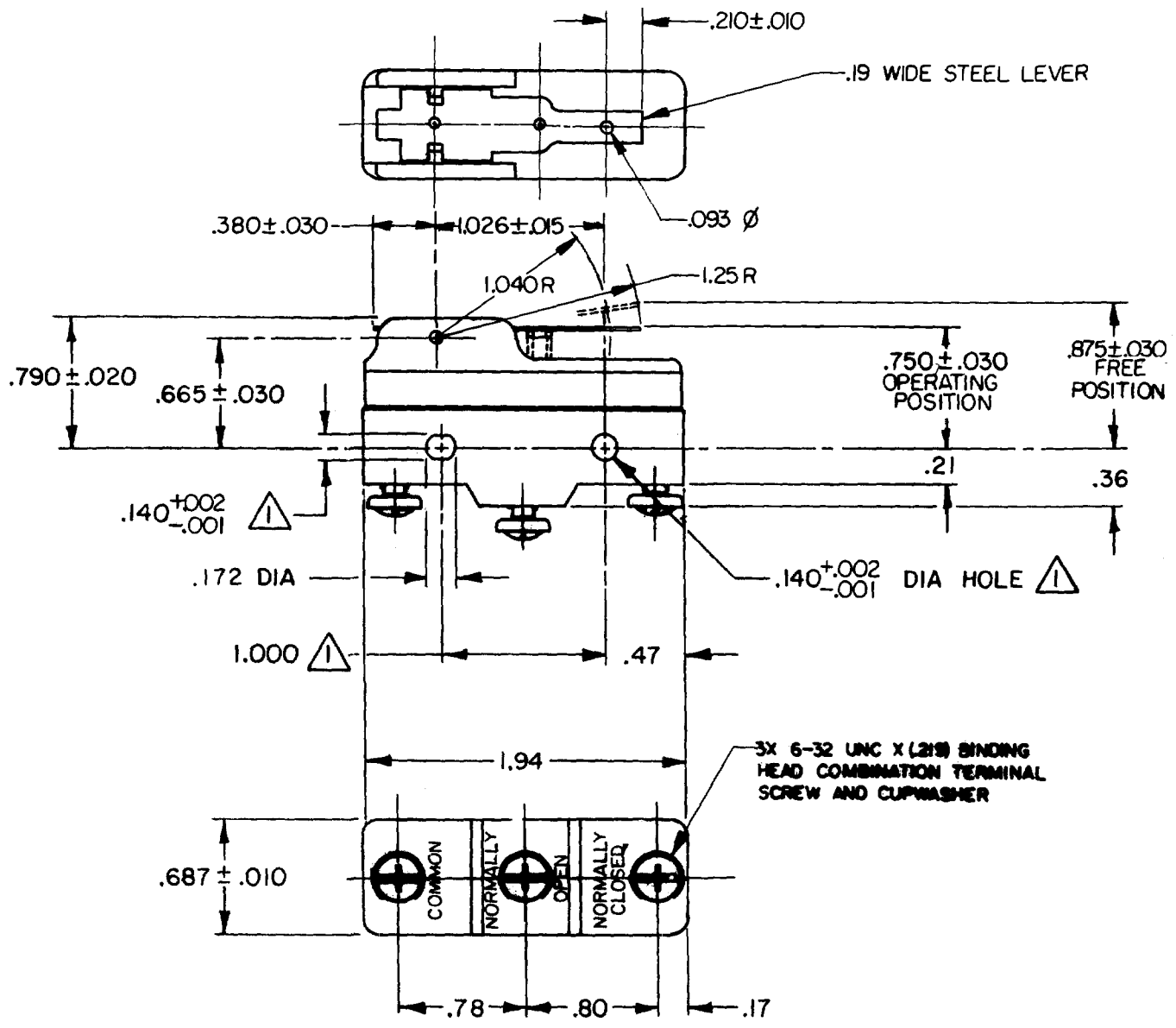
FREEMONT ILLINOIS, U.S.A.
A DIVISION OF HONEYWELL
FED. MFG. CODE 91929

SWITCH-BASIC

CATALOG LISTING
BZ-2RW8761-A2

APQ7425

BZ-2RW8761-A2
 PAGE 1 OF 1
 M
 DRAWING NUMBER
 6
 ISSUE
 REVISIONS
 A C064100
 S D MAR 89
 B CO-73287-D
 K D R 8 JULY 93
 C CO-77589
 MAM 29 MAR 94
 D C093346
 DLT 2 SEP 98
 E 0015139
 TSG 23 AUG 05
 FORMTEK
 FO-52848-A
 DRAWN
 TLB 4 AUG 88
 CHECK DES 6 AUG 88
 CHECK RJ
 CHECK 23 AUG 05
 CHECK PR-16607
 REPLACES X87680-BZ



NOTE
 1 MOUNTING HOLES WILL ACCEPT PINS OR SCREWS OF .139 MAX DIA ON 1.000 ± .002 CENTERS

| THIS DRAWING COVERS A PROPRIETARY ITEM AND IS THE PROPERTY OF MICRO SWITCH, A DIVISION OF HONEYWELL. THIS DRAWING IS NOT TO BE COPIED OR USED WITHOUT THE APPROVAL OF MICRO SWITCH. | | THIRD ANGLE PROJECTION | | | | | | | | | | | | | | | | | | | | |
|---|--|---|-----------|------------|------------|---------|------------|-----------|---|-------|---|---------|------------|-----|----------|-----|------------|--------------|-------|------------|-------|------------|
| CHARACTERISTICS | ELECTRICAL DATA | SCALE FULL | | | | | | | | | | | | | | | | | | | | |
| OPERATING FORCE-----6 OZ MAX | CONTACT ARRANGEMENT S P D T | DO NOT SCALE PRINT | | | | | | | | | | | | | | | | | | | | |
| RELEASE FORCE-----1 1/2 OZ MIN | L74 15A 125, 250, OR 480VAC 2A 600 VAC 1/8 HP 125 VAC, 1/4 HP 250 VAC 1/2A 125 VDC, 1/4A 250 VDC | TOLERANCES APPLY TO DESIGN UNITS. CONVERSIONS ARE ONLY FOR REFERENCE. UNLESS NOTED, TOLERANCES ARE ± | | | | | | | | | | | | | | | | | | | | |
| DIFFERENTIAL TRAVEL-----.004-.025 | -L28B- -L306- -L315- | <table border="1"> <thead> <tr> <th>NO PLACES</th> <th>DIM. mm</th> <th>TOL. mm/in</th> <th>DIM. in</th> <th>TOL. mm/in</th> </tr> </thead> <tbody> <tr> <td>ONE PLACE</td> <td>X</td> <td>1/.04</td> <td>X</td> <td>0.01/05</td> </tr> <tr> <td>TWO PLACES</td> <td>X,X</td> <td>0.4/.016</td> <td>X,X</td> <td>0.387/.016</td> </tr> <tr> <td>THREE PLACES</td> <td>X,X,X</td> <td>0.167/.008</td> <td>X,X,X</td> <td>0.131/.008</td> </tr> </tbody> </table> | NO PLACES | DIM. mm | TOL. mm/in | DIM. in | TOL. mm/in | ONE PLACE | X | 1/.04 | X | 0.01/05 | TWO PLACES | X,X | 0.4/.016 | X,X | 0.387/.016 | THREE PLACES | X,X,X | 0.167/.008 | X,X,X | 0.131/.008 |
| NO PLACES | DIM. mm | TOL. mm/in | DIM. in | TOL. mm/in | | | | | | | | | | | | | | | | | | |
| ONE PLACE | X | 1/.04 | X | 0.01/05 | | | | | | | | | | | | | | | | | | |
| TWO PLACES | X,X | 0.4/.016 | X,X | 0.387/.016 | | | | | | | | | | | | | | | | | | |
| THREE PLACES | X,X,X | 0.167/.008 | X,X,X | 0.131/.008 | | | | | | | | | | | | | | | | | | |
| OVERTRAVEL-----.141 MIN | CE EN05 EC 91 | DESIGN UNITS <input type="checkbox"/> SI METRIC <input type="checkbox"/> US CUSTOMARY <input checked="" type="checkbox"/> | | | | | | | | | | | | | | | | | | | | |
| | 16A 250V ~ T85 5E4 | WEIGHT .073 LB. | | | | | | | | | | | | | | | | | | | | |