

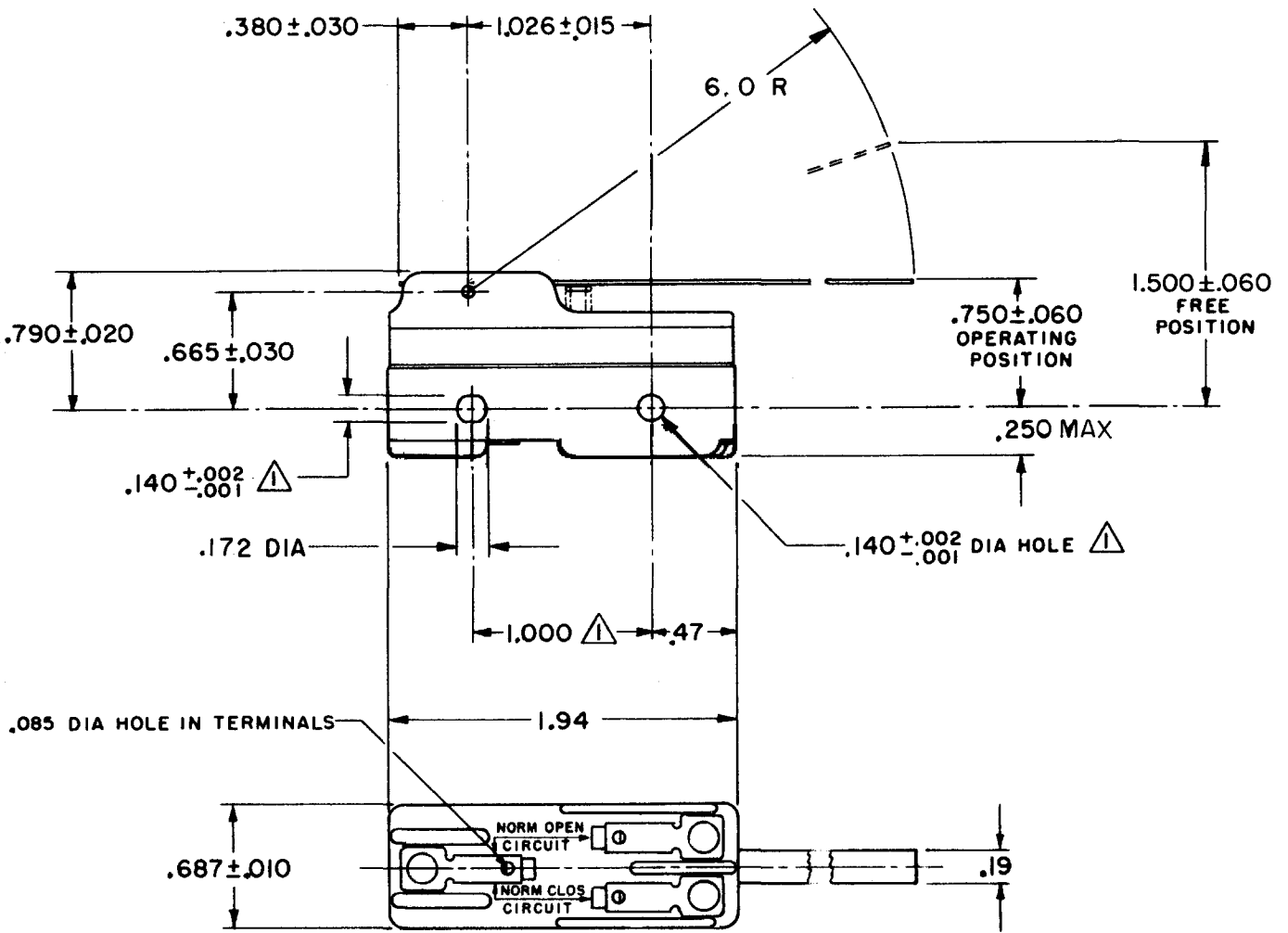


MICRO SWITCH
 FREEPORT ILLINOIS
 A DIVISION OF HONEYWELL
 FED. MFG. CODE 91929

SWITCH-BASIC

CATALOG LISTING
BZ-2RW863

DRAWING NUMBER **BZ-2RW863**
 PAGE 1 OF 1
 ISSUE **10**
 REVISIONS:
 A CO16793 M B F 6 SEP 62
 B CO21125 O M W 9 MAY 66
 C CO46304 J A P 13 OCT 79
 D CO 58037 S M A 1 OCT 85
 E CO61823 K A G 6 AUG 87
 F CO78874 D L T 18 NOV 94
 G CO93346 D L T 14 SEP 98
 H CO-94212-J J J A 6 OCT 99
 CHECK 150
 DRAWN M B F 6 SEP 62
 FORMTEK FO-50378



NOTE
 MOUNTING HOLES WILL ACCEPT PINS OR SCREWS OF .139 MAX DIA ON 1.000 ± .002 CENTERS

THIS DRAWING COVERS A PROPRIETARY ITEM AND IS THE PROPERTY OF MICRO SWITCH, A DIVISION OF MINNEAPOLIS-HONEYWELL REGULATOR CO. THIS DRAWING IS NOT TO BE COPIED OR USED WITHOUT THE APPROVAL OF MICRO SWITCH.

CHARACTERISTICS	ELECTRICAL DATA	SCALE FULL
OPERATING FORCE ——— 1 OZ MAX	CONTACT ARRANGEMENT S P D T	DO NOT SCALE PRINT
DIFFERENTIAL TRAVEL ——— .018-.140	UNDERWRITERS' LAB. INC. LISTED RATING -L96- 15 A -125, 250, OR 480 VAC 1/2 A -125 VDC; 1/4 A -250 VDC 1/8 HP-125 VAC, 1/4 HP-250 VAC	UNLESS OTHERWISE SPECIFIED DIMENSIONS ARE IN INCHES
OVERTRAVEL ——— .500 MIN		L288 L299 L306
	CE D SF 16A 250V ~ T85 5E4	WEIGHT .060 LB