

MICRO SWITCH

FREEPORT ILLINOIS, U.S.A
A DIVISION OF HONEYWELL
FED. MFG. CODE 91929

SWITCH-BASIC

CATALOG LISTING

BZ-2RW863551-A2

AQB1767

BZ-2RW863551-A2

PAGE 1 OF 1

REPLACES

RELEASE NO. CO-34271

DRAWING NUMBER

ISSUE 7

REVISIONS

A	CO61823	09JAN06
B	KAS AUG 87	
C	CO67209	
D	JAP MAY 90	
E	CO-73287-1	
F	JAL 22 NOV 93	
G	CO-77589	
H	TSM 29 MAR 94	
I	CO93346	
J	DLT 18 SEP 98	
K	F0017580	
L	TSG 09JAN06	

CHECK

09JAN06

RJ

CHECK

DLT

F0017580

TSG

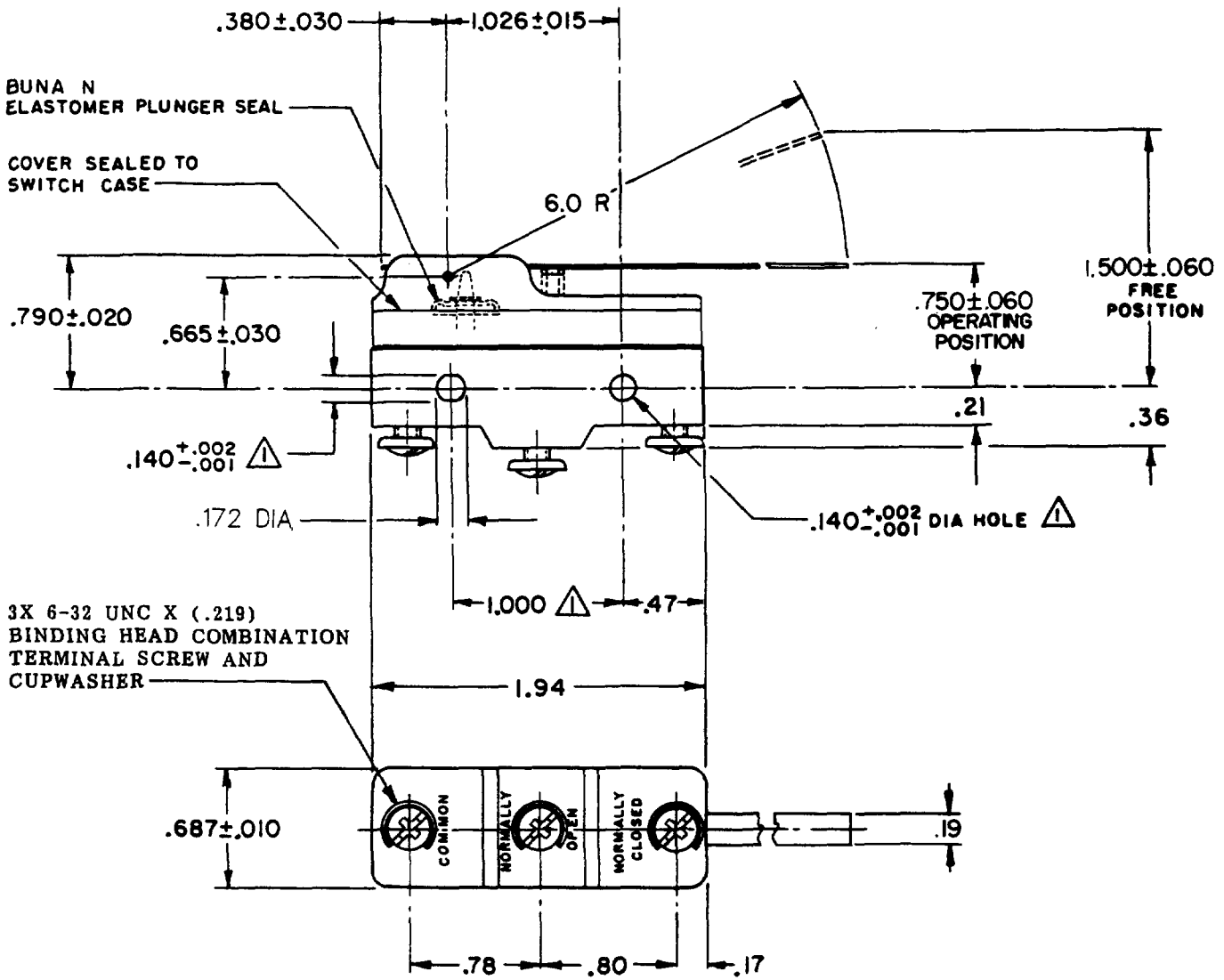
09JAN06

CHECK

5 NOV 74

CHECK

K P K21 OCT 74



NOTES
 ▲ MOUNTING HOLES WILL ACCEPT PINS OR SCREWS OF .39 MAX DIA ON 1.000±.002 CENTERS
 2 - SEALED CONSTRUCTION PROVIDES SPLASH RESISTANCE

THIS DRAWING COVERS A PROPRIETARY ITEM AND IS THE PROPERTY OF MICRO SWITCH, A DIVISION OF HONEYWELL. THIS DRAWING IS NOT TO BE COPIED OR USED WITHOUT THE APPROVAL OF MICRO SWITCH.

THIRD ANGLE PROJECTION

CHARACTERISTICS	
OPERATING FORCE	----- OZ MAX
DIFFERENTIAL TRAVEL	----- .018-.145
OVERTRAVEL	----- .500 MIN

ELECTRICAL DATA	
CONTACT ARRANGEMENT S P D T	
L96 15A 125, 250 OR 480 VAC 1/8 HP 125 VAC, 1/4 HP 250 VAC 1/2A 125 VDC, 1/4A 250 VDC	
L288 L306 L315	CE 05 RJ
16A 250V ~ T85 5E4	

SCALE	FULL																																	
DO NOT SCALE PRINT																																		
TOLERANCES																																		
APPLY TO DESIGN UNITS. CONVERSIONS ARE ONLY FOR REFERENCE. UNLESS NOTED, TOLERANCES ARE ±																																		
<table border="1"> <tr> <th>NO PLACES</th> <th>DIM.</th> <th>TOL.</th> <th>DIM.</th> <th>TOL.</th> </tr> <tr> <td></td> <td>mm</td> <td>mm/in</td> <td>in</td> <td>mm/in</td> </tr> <tr> <td>ONE PLACE</td> <td>X</td> <td>17.04</td> <td>X X</td> <td>0.3175</td> </tr> <tr> <td>TWO PLACES</td> <td>X, XX</td> <td>0.4775</td> <td>X, XX</td> <td>0.254</td> </tr> <tr> <td>THREE PLACES</td> <td>X, XX, XXX</td> <td>0.127</td> <td>X, XX, XXX</td> <td>0.157</td> </tr> </table>	NO PLACES	DIM.	TOL.	DIM.	TOL.		mm	mm/in	in	mm/in	ONE PLACE	X	17.04	X X	0.3175	TWO PLACES	X, XX	0.4775	X, XX	0.254	THREE PLACES	X, XX, XXX	0.127	X, XX, XXX	0.157	<table border="1"> <tr> <th colspan="2">SI METRIC</th> <th colspan="2">US CUSTOMARY</th> </tr> <tr> <td>DESIGN UNITS</td> <td><input type="checkbox"/></td> <td><input checked="" type="checkbox"/></td> <td></td> </tr> </table>	SI METRIC		US CUSTOMARY		DESIGN UNITS	<input type="checkbox"/>	<input checked="" type="checkbox"/>	
NO PLACES	DIM.	TOL.	DIM.	TOL.																														
	mm	mm/in	in	mm/in																														
ONE PLACE	X	17.04	X X	0.3175																														
TWO PLACES	X, XX	0.4775	X, XX	0.254																														
THREE PLACES	X, XX, XXX	0.127	X, XX, XXX	0.157																														
SI METRIC		US CUSTOMARY																																
DESIGN UNITS	<input type="checkbox"/>	<input checked="" type="checkbox"/>																																
WEIGHT	.073 LB																																	

FORMTEK
FO-52848-A
DRAWN

K P K21 OCT 74