

MICRO SWITCH

FREEMONT ILLINOIS, U.S.A
A DIVISION OF HONEYWELL

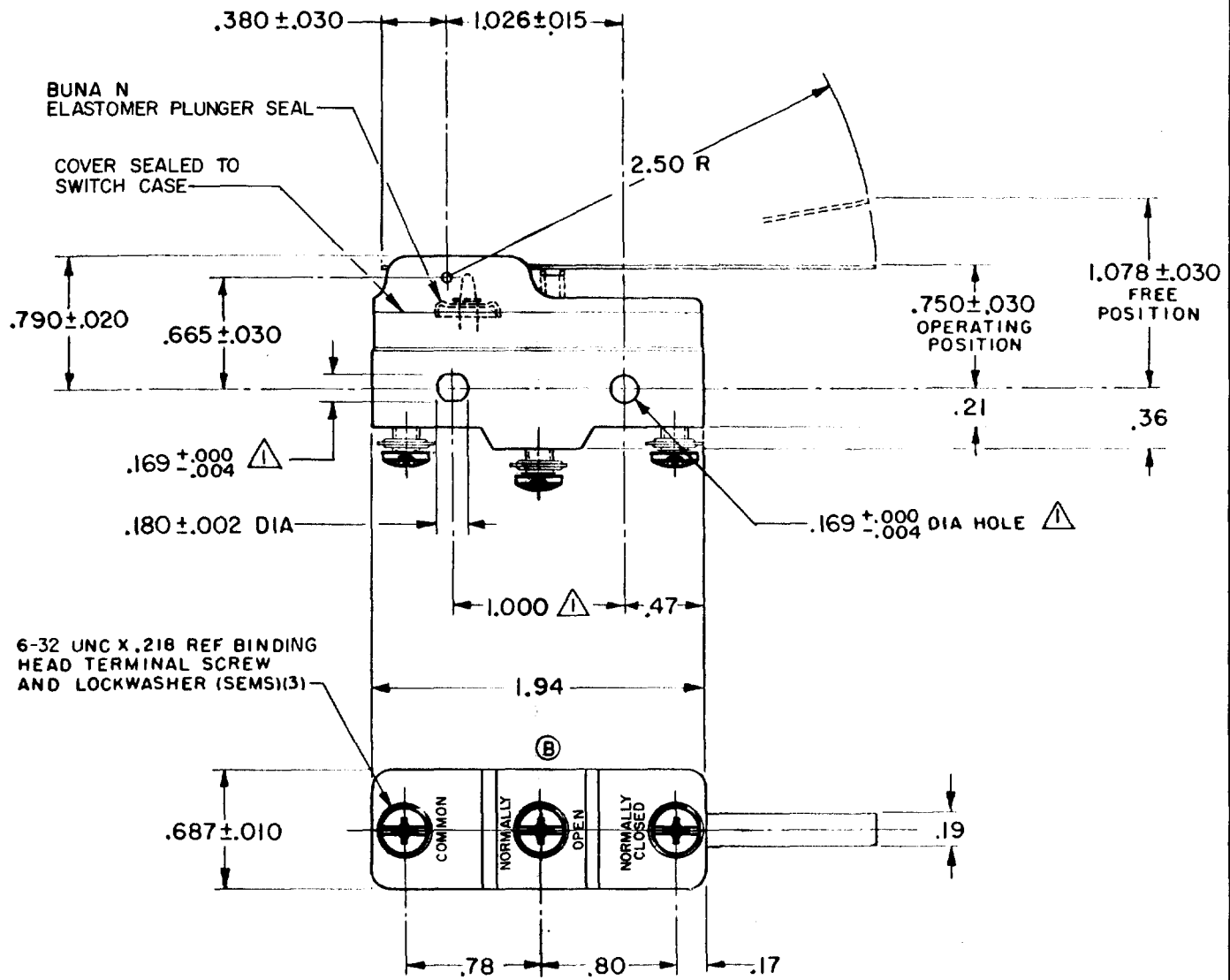
FED. MFG. CODE 91929

SWITCH - BASIC

CATALOG LISTING

BZ-2RW855511T

M BZ-2RW855511T
 PAGE 1 OF 1
 DRAWING NUMBER
 ISSUE 6
 RELEASE NO. PR-1310
 REPLACES



6-32 UNC X .218 REF BINDING HEAD TERMINAL SCREW AND LOCKWASHER (SEMS)(3)

- NOTES**
- ▲ MOUNTING HOLES WILL ACCEPT PINS OR SCREWS OF .165 MAX DIA ON 1.000 ±.002 CENTERS
 - 2 - SEALED CONSTRUCTION PROVIDES SPLASH RESISTANCE

THIS DRAWING COVERS A PROPRIETARY ITEM AND IS THE PROPERTY OF MICRO SWITCH, A DIVISION OF HONEYWELL. THIS DRAWING IS NOT TO BE COPIED OR USED WITHOUT THE APPROVAL OF MICRO SWITCH.

CHARACTERISTICS	
OPERATING FORCE	----- 2 1/2 OZ MAX
RELEASE FORCE	----- 1/2 OZ MIN
DIFFERENTIAL TRAVEL	----- .007-.050
OVERTRAVEL	----- .219 MIN

ELECTRICAL DATA	
CONTACT ARRANGEMENT S P D T	
L96	
15A 125, 250 OR 480 VAC 1/8 HP 125 VAC, 1/4 HP 250 VAC 1/2A 125 VDC, 1/4A 250 VDC	
L288	
L299	
L306	
16A 250V ~ T85 5E4	

SCALE FULL	
DO NOT SCALE PRINT	
UNLESS OTHERWISE NOTED	
DIMENSIONS ARE IN INCHES	
TOLERANCES ARE:	
ONE PLACE	(.0) ±.030
TWO PLACE	(.00) ±.015
THREE PLACE	(.000) ±.005
ANGLES	±
WEIGHT .076 LB	

REVISIONS
 A C027954 SRH 30 SEP 70
 B C028487 DMW 18 JAN 71
 C C067209 JAP 2 MAY 90
 D C069351-D JWB 18 JUL 91
 E C093346 DLT 17 SEP 98
 CHECK 25 MAY 70
 CHECK 19 MAY 70
 DRAWN
 FORMTEK
 O-50378-1A