

# MICRO SWITCH

A DIVISION OF MINNEAPOLIS-HONEYWELL REGULATOR COMPANY  
 FREDRICK, ILLINOIS  
 FED. MFR. CODE 91929

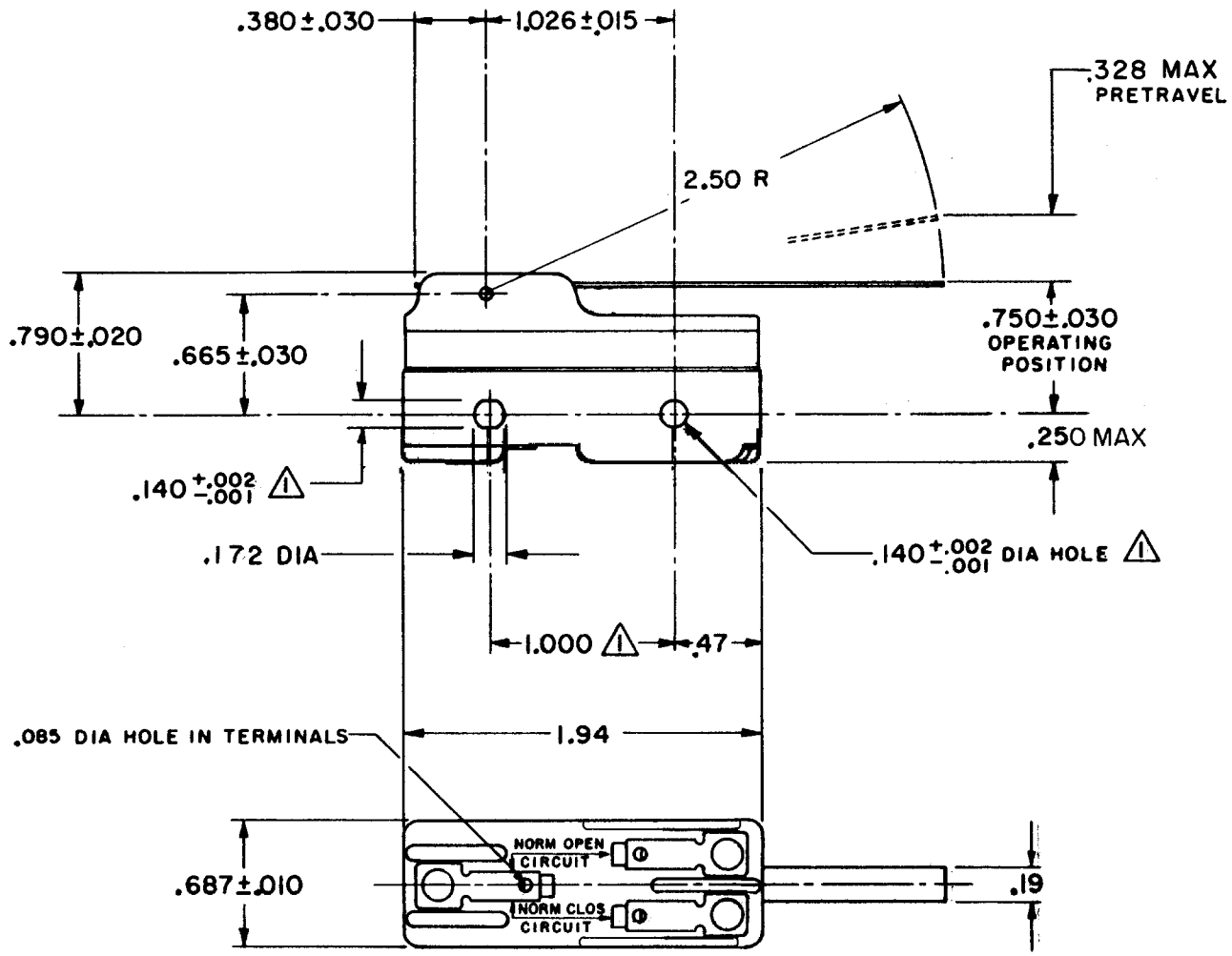
## SWITCH - BASIC

CATALOG LISTING  
**BZ - 2RW84**

DRAWING NUMBER  
**BZ-2RW84**  
 PAGE 1 OF 1  
 ISSUE  
**M**  
 9  
 RELEASE NO.  
 CHECK  
 REPLACES

REVISIONS

A	CO 16736	GCH 17 MAY 62
B	CO 34306	
K	P K 4 JUN 75	
C	CO46304	
J	A P 13 OCT 79	
D	CO 58037	
	SMA 1 OCT 85	
E	CO- 78874	DLT 18 NOV 94
F	CO93346	DLT 11 SEP 98
G	CO- 94212-J	JJA 5 OCT 99



**NOTE**  
 MOUNTING HOLES WILL ACCEPT PINS OR SCREWS  
 OF .139 MAX DIA ON 1.000 ± .002 CENTERS.

THIS DRAWING COVERS A PROPRIETARY ITEM AND IS THE PROPERTY OF MICRO SWITCH, A DIVISION OF MINNEAPOLIS-HONEYWELL REGULATOR CO. THIS DRAWING IS NOT TO BE COPIED OR USED WITHOUT THE APPROVAL OF MICRO SWITCH.

CHARACTERISTICS	ELECTRICAL DATA	SCALE FULL	
OPERATING FORCE ----- 1 OZ MAX	CONTACT ARRANGEMENT S P D T	DO NOT SCALE PRINT	
RELEASE FORCE ----- 1/8 OZ MIN	UNDERWRITERS' LAB. INC. LISTED RATINGS -L96- 15A-125, 250, OR 480 VAC 1/2 A-125 VDC; 1/4 A-250 VDC 1/8 HP-125 VAC; 1/4 HP-250 VAC -L288- -L299- -L306-	UNLESS OTHERWISE SPECIFIED DIMENSIONS ARE IN INCHES <b>TOLERANCES ARE:</b> ONE PLACE (.0) ±.030 TWO PLACE (.00) ±.015 THREE PLACE (.000) ±.005 ANGLES ±	
DIFFERENTIAL TRAVEL ----- .007 - .050		CE (D) (SA) 16A 250V ~ T85 5E4	WEIGHT .060 LB
OVERTRAVEL ----- .219 MIN			

FORMTEK  
 FO-50378  
 DRAWN  
 GCH 17 MAY 62  
 CHECK  
 DAW