

MICRO SWITCH

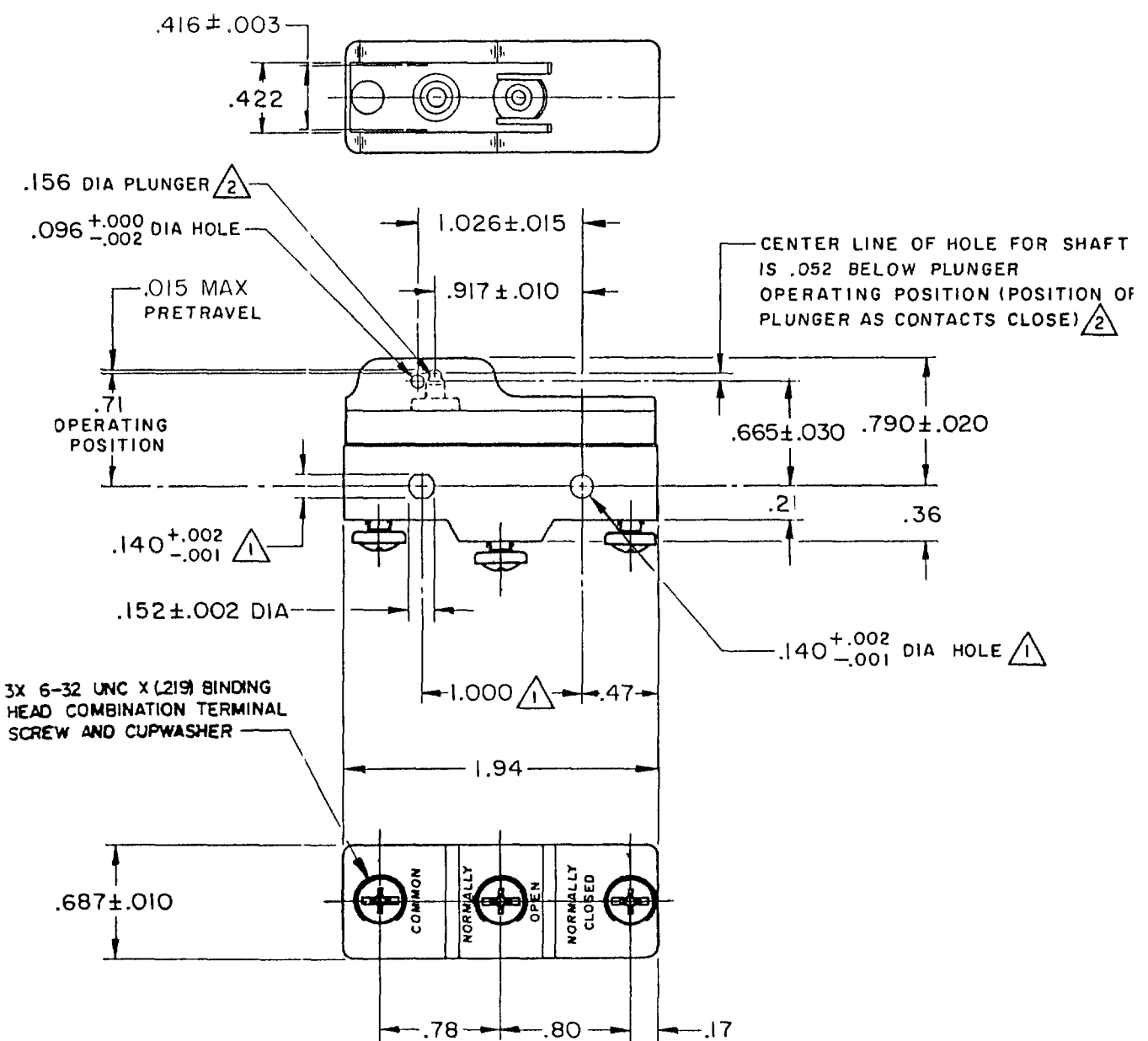
FREEPORT ILLINOIS, U. S. A
A DIVISION OF HONEYWELL
FED. MFG. CODE 91929

SWITCH-BASIC

BZ-2RW84449-A2

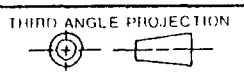
APY0290

BZ-2RW84449-A2
 PAGE 1 OF 1
 M
 DRAWING NUMBER
 8
 ISSUE
 REVISIONS
 A C080986 JALA 26 JUN 95
 B C093346 DLT 17 SEP 98
 C 0017579 KRB 08DEC05
 CHECK
 08DEC05
 CHECK
 17 FEB 94
 CHECK
 16 FEB 84
 CHECK
 CEC
 TSK
 FORMTEK
 DRAWN



- NOTES
- $\triangle 1$ MOUNTING HOLES WILL ACCEPT PINS OR SCREWS OF .139 MAX DIA ON 1.000 ± .002 CENTERS
 - $\triangle 2$ PLUNGERS SHOULD NOT BE INTERCHANGED AMONG SWITCHES
 - 3 - LEVER AND SHAFT FURNISHED UNASSEMBLED

THIS DRAWING COVERS A PROPRIETARY ITEM AND IS THE PROPERTY OF MICRO SWITCH, A DIVISION OF HONEYWELL. THIS DRAWING IS NOT TO BE COPIED OR USED WITHOUT THE APPROVAL OF MICRO SWITCH.



CHARACTERISTICS	
OPERATING FORCE	9-13 OZ
RELEASE FORCE	4 OZ MIN
DIFFERENTIAL TRAVEL	.0004-.0020
DO NOT OVERTRAVEL MORE THAN	.020

ELECTRICAL DATA	
CONTACT ARRANGEMENT S P D T	
-L96-	15 A-125, 250, OR 480 VAC 1/2 A-125 VDC; 1/4 A-250 VDC 1/8 HP-125 VAC, 1/4 HP-250 VAC
-L288- -L315- -L306-	
16A 250V ~ T85 5E4	

SCALE FULL			
DO NOT SCALE PRINT			
TOLERANCES			
APPLY TO DESIGN UNITS. CONVERSIONS ARE ONLY FOR REFERENCE. UNLESS NOTED, TOLERANCES ARE \pm			
	DIM.	TOL.	DIV
	mm	mm/in	in
NO PLACES	X	1/.04	X K 0.1/.03
ONE PLACE	X,X	0.4/.018	X XX 0.18/.015
TWO PLACES	X,XX	0.15/.009	X XXX 0.11/.007
THREE PLACES	X,XXX		
ANGLE			
DESIGN UNITS	<input type="checkbox"/> SI METRIC		<input checked="" type="checkbox"/> US CUSTOMARY
WEIGHT	.070 LB		