



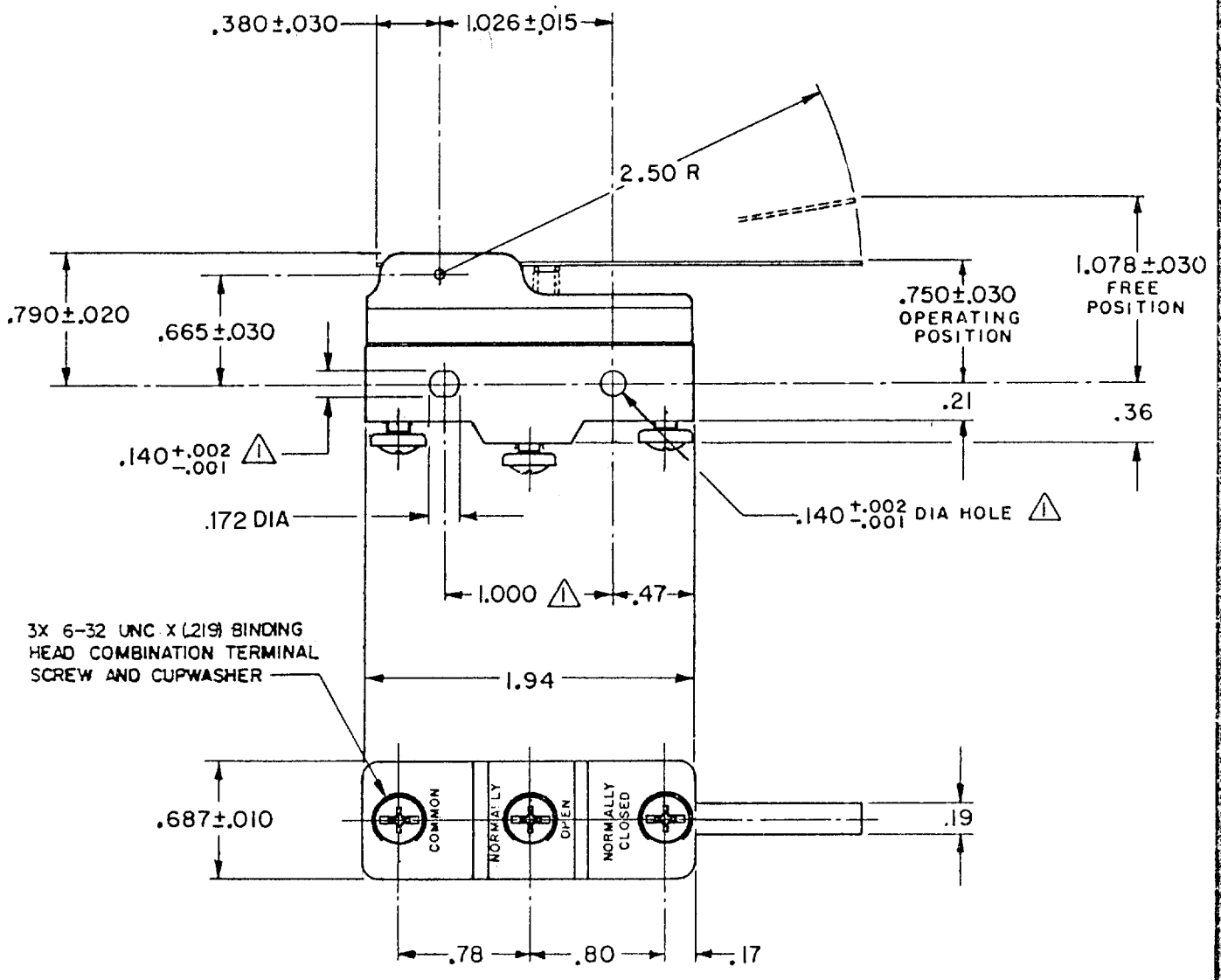
MICRO SWITCH
FREEPORT ILLINOIS
A DIVISION OF HONEYWELL
FED. MFG. CODE 91929

SWITCH - BASIC

BZ-2RW8244-A2

DRAWING NUMBER
BZ-2RW8244-A2
PAGE 1 OF 1
ISSUE
M
7

RELEASE NO.
CHECK
REVISIONS
A C017262
G C H
20 NOV 62
B C021530
W E G
22 AUG 66
C CO-
73287-D
K D R
8 JULY 93
D C093346
D L T
28 AUG 98
E CO-
95953
J J A
18 JAN 00
CHECK
D A W
28 NOV 62
CHECK
D A W
20 NOV 62
FORMTEK
FO-80378
DRAWN



NOTES
▲ - MOUNTING HOLES WILL ACCEPT PINS OR SCREWS OF .139 MAX DIA ON 1.000±.002 CENTERS
2 - SWITCH WILL WITHSTAND TEMPERATURE OF 400° F. FOR 100 HOURS

THIS DRAWING COVERS A PROPRIETARY ITEM AND IS THE PROPERTY OF MICRO SWITCH, A DIVISION OF MINNEAPOLIS-HONEYWELL REGULATOR CO. THIS DRAWING IS NOT TO BE COPIED OR USED WITHOUT THE APPROVAL OF MICRO SWITCH.

CHARACTERISTICS	ELECTRICAL DATA	SCALE FULL
OPERATING FORCE ----- 2 1/2 OZ MAX	CONTACT ARRANGEMENT S P D T	DO NOT SCALE PRINT
RELEASE FORCE ----- 1/2 OZ MIN	UNDERWRITERS' LAB. INC. LISTED RATING 5 A-125, 250 OR 480 VAC -L35- 1/2 A-125 VDC; 1/4 A-250 VDC -L288-	UNLESS OTHERWISE SPECIFIED DIMENSIONS ARE IN INCHES TOLERANCES ARE: ONE PLACE (.0) ±.030 TWO PLACE (.00) ±.015 THREE PLACE (.000) ±.005 ANGLES ±
DIFFERENTIAL TRAVEL ----- .007-.050	CE SP	WEIGHT .073 LB
OVERTRAVEL ----- .219 MIN		