

# MICRO SWITCH

FREERPORT ILLINOIS, U.S.A.  
A DIVISION OF HONEYWELL  
FED. MFG. CODE 91929

# SWITCH-BASIC

CATALOG LISTING

## BZ-2RW82444-A2

BZ-2RW82444-A2

PAGE 1 OF 1

REPLACES X82454-BZ

RELEASE NO. PR-14435

M

DRAWING NUMBER

ISSUE

4

CHECK

### REVISIONS

A	CO-73287-J	JAL	22 NOV 93
B	CO-77588	KDR	29 MAR 94
C	C093346	DLT	28 AUG 98

CHECK

JAN 90

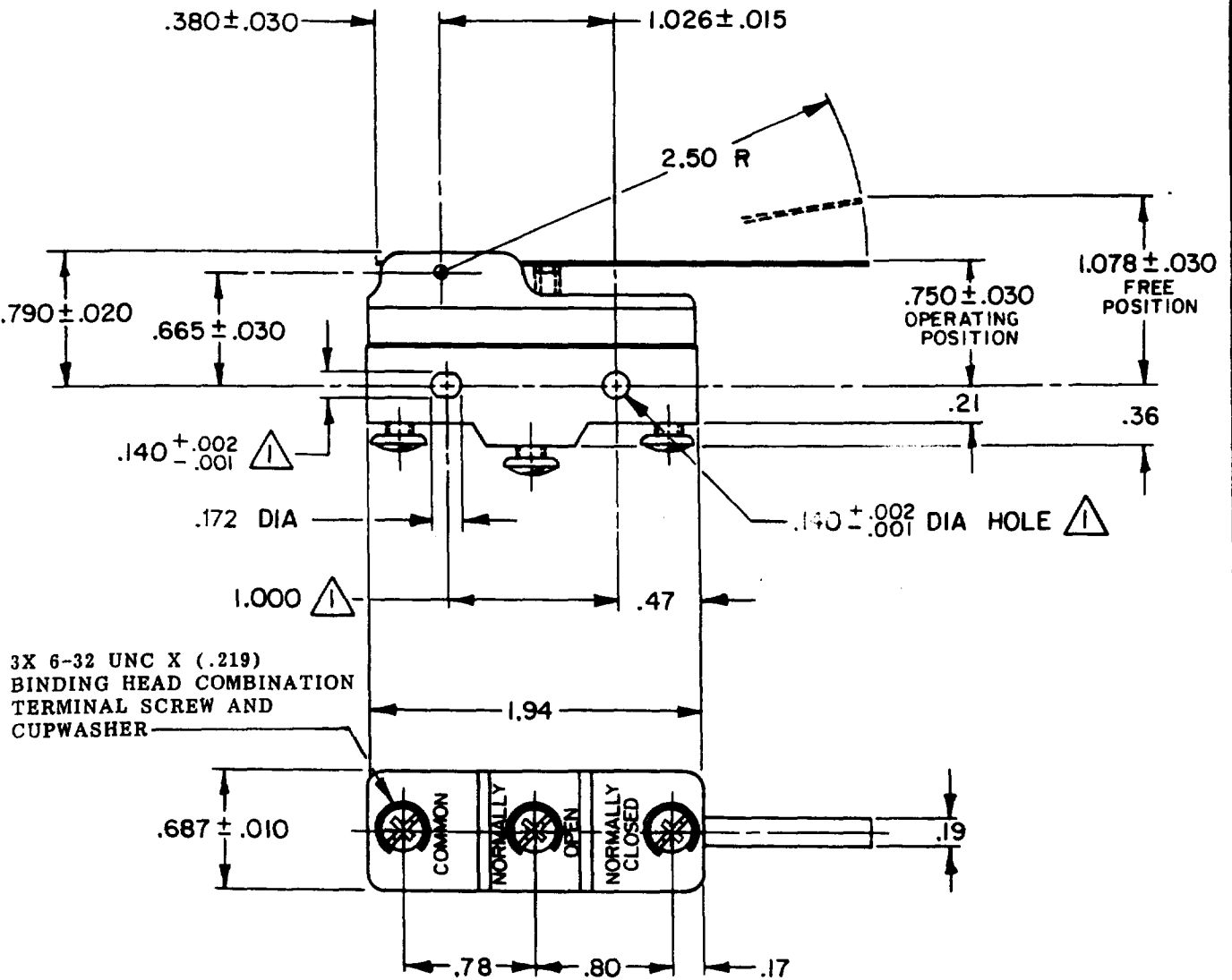
KAG

DEC 30

FORMTEK

FO-52848-A

DRAWN

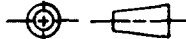


### NOTES

- 1 MOUNTING HOLES WILL ACCEPT PINS OR SCREWS OF .139 MAX DIA ON 1.000±.002 CENTERS
- 2 - SWITCH WILL WITHSTAND TEMPERATURE OF 400°F
- 3 - SWITCH CHARACTERISTICS MAY SHIFT AFTER PROLONGED EXPOSURE TO 400°F

THIS DRAWING COVERS A PROPRIETARY ITEM AND IS THE PROPERTY OF MICRO SWITCH, A DIVISION OF HONEYWELL. THIS DRAWING IS NOT TO BE COPIED OR USED WITHOUT THE APPROVAL OF MICRO SWITCH.

THIRD ANGLE PROJECTION



### CHARACTERISTICS

OPERATING FORCE - - - - - 2 1/2 OZ MAX

RELEASE FORCE - - - - - 1/2 OZ MIN

DIFFERENTIAL TRAVEL - - - - .007-.050

OVERTRAVEL - - - - - .219 MIN

### ELECTRICAL DATA

CONTACT ARRANGEMENT  
S P D T

L35 5A 125, 250, OR 480 VAC  
1/2 A 125 VDC, 1/4 A 250 VDC

L288

SCALE FULL

DO NOT SCALE PRINT

### TOLERANCES

APPLY TO DESIGN UNITS. CONVERSIONS ARE ONLY FOR REFERENCE. UNLESS NOTED, TOLERANCES ARE 2

	DIM.	TOL.	DIM.	TOL.
	mm	mm/in	in	mm/in
NO PLACES	X	17/96	X	0.01/50
ONE PLACE	X.X	0.45/818	X.X	0.007/354
TWO PLACES	X.XX	0.167/506	X.XX	0.002/81
THREE PLACES	X.XXX		X.XXX	0.131/500

DESIGN UNITS  SI METRIC  US CUSTOMARY

WEIGHT .073 LB