

MICRO SWITCH
a Honeywell Division

FED. MFG. CODE 91 929

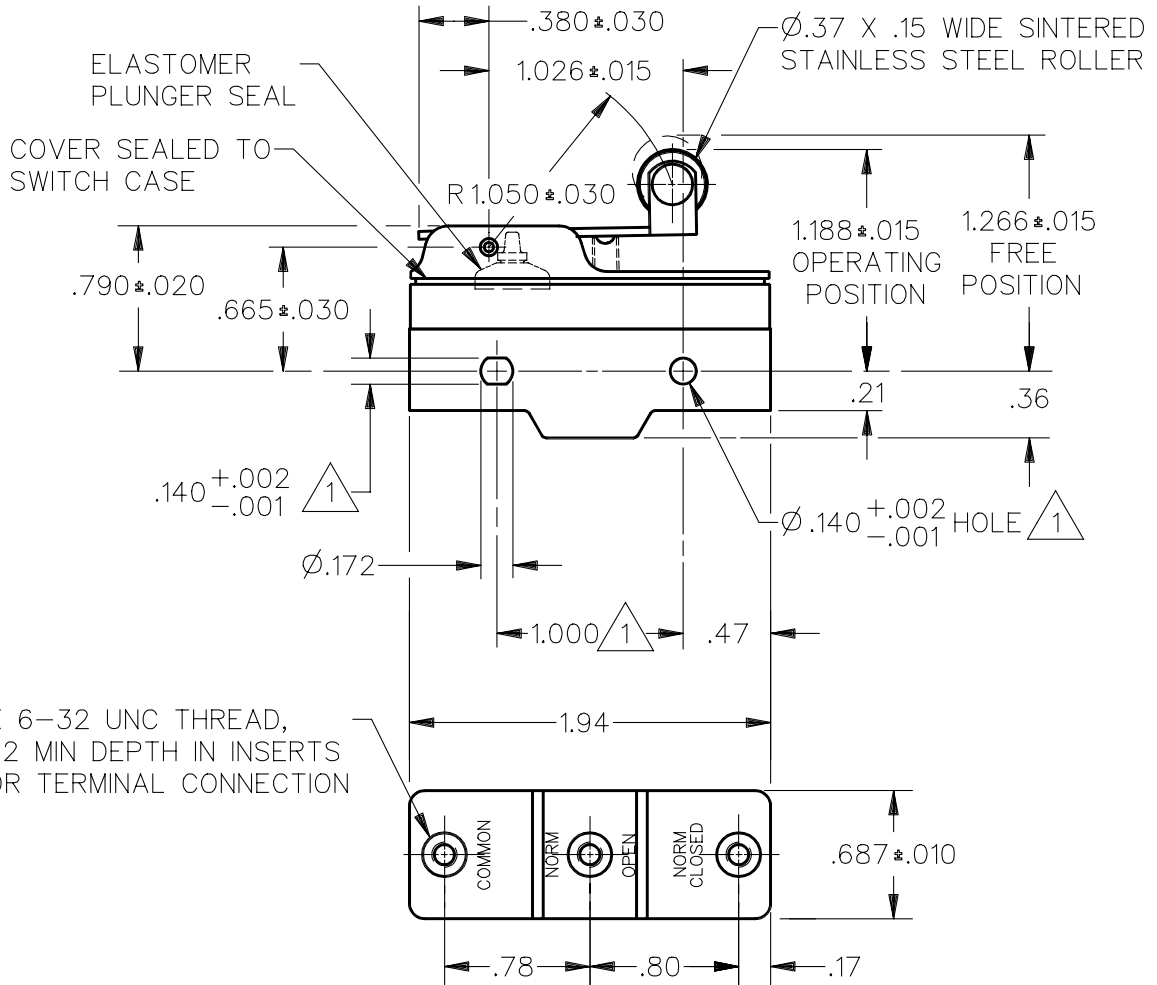
SWITCH - BASIC

CATALOG LISTING

BZ-2RW822551529T-S

CATALOG LISTING
BZ-2RW822551529T-S
PAGE 1 OF 1
REPLACES X98257-BZ
ISSUE 5

RELEASE NO. PR-21314
CHECK
REVISIONS
A CO-80986 LUF 7 JUN 95
B CO-82886 JJA 8 MAY 96
C CO-92493 SAV 12 FEB 98
D CO93346 DLT 14 AUG 98
CHECK
W J C 31 OCT 94
CHECK
M A M 26 OCT 94
DRAWN

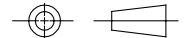


- NOTE
- 1 MOUNTING HOLES WILL ACCEPT PINS OR SCREWS OF ∅.139 MAX ON 1.000 ±.002 CENTERS
 - 2 - SEALED CONSTRUCTION PROVIDES SPLASH RESISTANCE
 - 3 - 3X TERMINAL SCREWS AND LOCKWASHER FURNISHED UNASSEMBLED

ANSI Y14.5M-1982 APPLIES

THIS DRAWING COVERS A PROPRIETARY ITEM AND IS THE PROPERTY OF MICRO SWITCH, A DIVISION OF HONEYWELL. THIS DRAWING IS NOT TO BE COPIED OR USED WITHOUT THE APPROVAL OF MICRO SWITCH.

THIRD ANGLE PROJECTION



CHARACTERISTICS	ELECTRICAL DATA	SCALE FULL	DO NOT SCALE PRINT
OPERATING FORCE — — — 6 OZ MAX	CONTACT ARRANGEMENT S P D T	UNLESS OTHERWISE SPECIFIED TOLERANCES ARE	
RELEASE FORCE — — — 1 1/2 OZ MIN	L9 10A 125, 250 OR 480 VAC 1/2A 125 VDC, 1/4A 250 VDC	ONE PLACE (.0)	±.030
DIFFERENTIAL TRAVEL — — — .003-.020		TWO PLACE (.00)	±.015
OVERTRAVEL — — — — .094 MIN	L288	THREE PLACE (.000)	±.005
		ANGLES	±
		WEIGHT .076 LB	

