

MICRO SWITCH

FREEMONT ILLINOIS, U.S.A.
A DIVISION OF HONEYWELL

FED. MFG. CODE 91929

SWITCH - BASIC

CATALOG LISTING

BZ-2RW80-D5

BZ-2RW80-D5
PAGE 1 OF 1

M

DRAWING
NUMBER

6

ISSUE

CHECK

REVISIONS

| | |
|---|------------------|
| A | CO-51576 |
| | KAG 28 JUL 82 |
| B | CO 58037 |
| | SMA 1 OCT 85 |
| C | CO- 77591 |
| | DAW 22 JUN 94 |
| D | CO93346 |
| | DLT 11 SEP 98 |
| E | CO- 94212-C |
| | DLT 17 SEP 99 |

REPLACES

PR-2099

CHECK

CHECK

CHECK

22 SEPT 71

DRAW

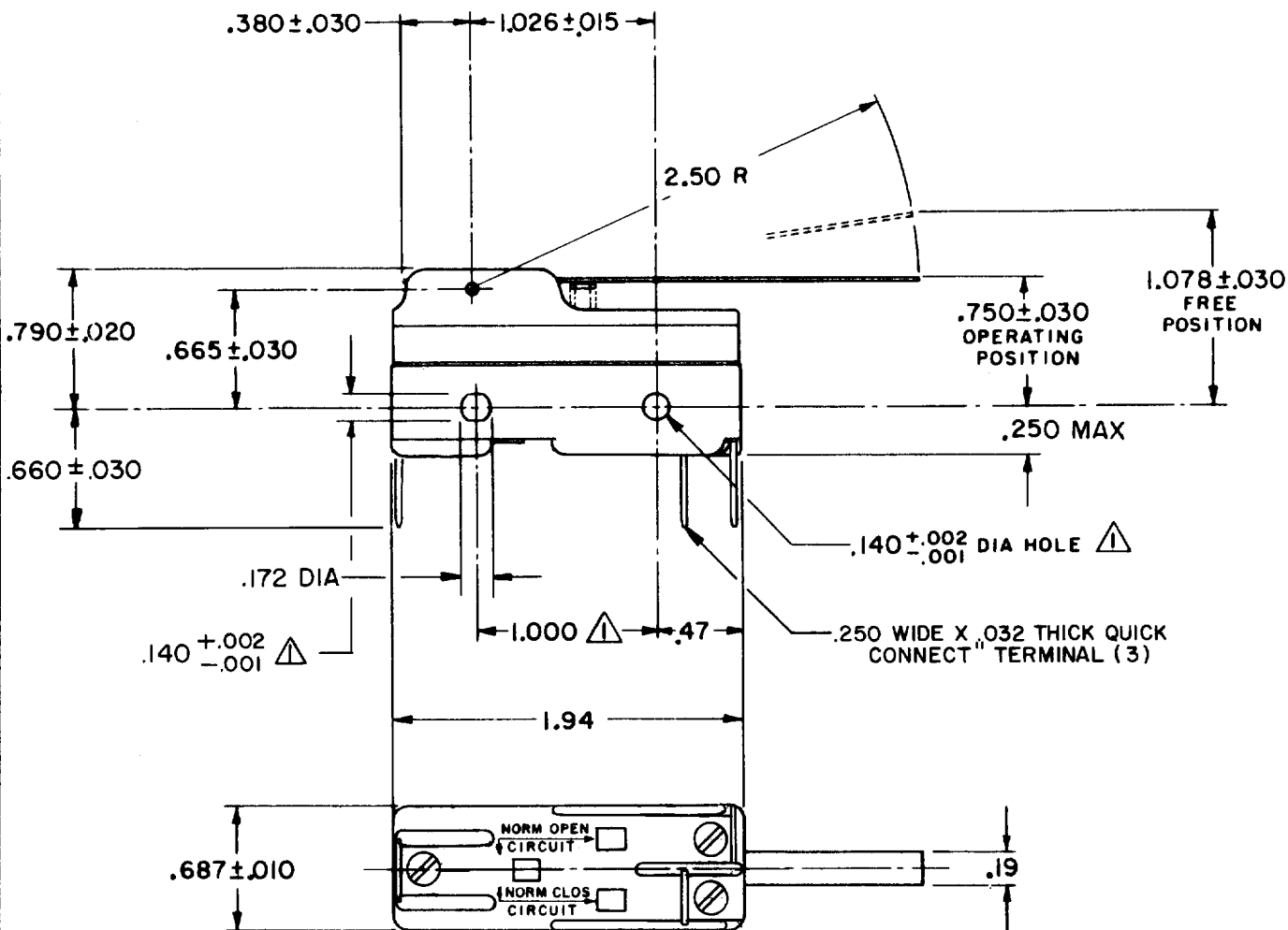
CHECK

21 SEPT 71

FORMTEK

FO-50378-1A

DRAWN



NOTE
MOUNTING HOLES WILL ACCEPT PINS OR SCREWS OF .139 MAX DIA ON 1.000 ± .002 CENTERS.

THIS DRAWING COVERS A PROPRIETARY ITEM AND IS THE PROPERTY OF MICRO SWITCH, A DIVISION OF HONEYWELL. THIS DRAWING IS NOT TO BE COPIED OR USED WITHOUT THE APPROVAL OF MICRO SWITCH.

| CHARACTERISTICS |
|---------------------------------------|
| OPERATING FORCE ----- 2 1/2 OZ MAX |
| RELEASE FORCE ----- 1/2 OZ MIN |
| DIFFERENTIAL TRAVEL ----- .007 - .050 |
| OVERTRAVEL ----- .219 MIN |

| ELECTRICAL DATA |
|--|
| CONTACT ARRANGEMENT S P D T |
| UNDERWRITERS' LAB. INC. LISTED RATING 15A-125, 250 OR 480 VAC -L96- 1/8HP-125 VAC; 1/4HP-250 VAC 1/2A-125 VDC; 1/4A-250 VDC |
| -L288- -L299- -L306- |
| CE D S 16A 250V ~ T85 5E4 |

| SCALE | FULL |
|--|---------------|
| DO NOT SCALE PRINT | |
| UNLESS OTHERWISE NOTED DIMENSIONS ARE IN INCHES | |
| TOLERANCES ARE: | |
| ONE PLACE | (.0) ± .030 |
| TWO PLACE | (.00) ± .015 |
| THREE PLACE | (.000) ± .005 |
| ANGLES | ± |
| WEIGHT | .060 LB |