

# MICRO SWITCH

A DIVISION OF MINNEAPOLIS-HONEYWELL REGULATOR COMPANY  
 FREEPORT, MINNESOTA

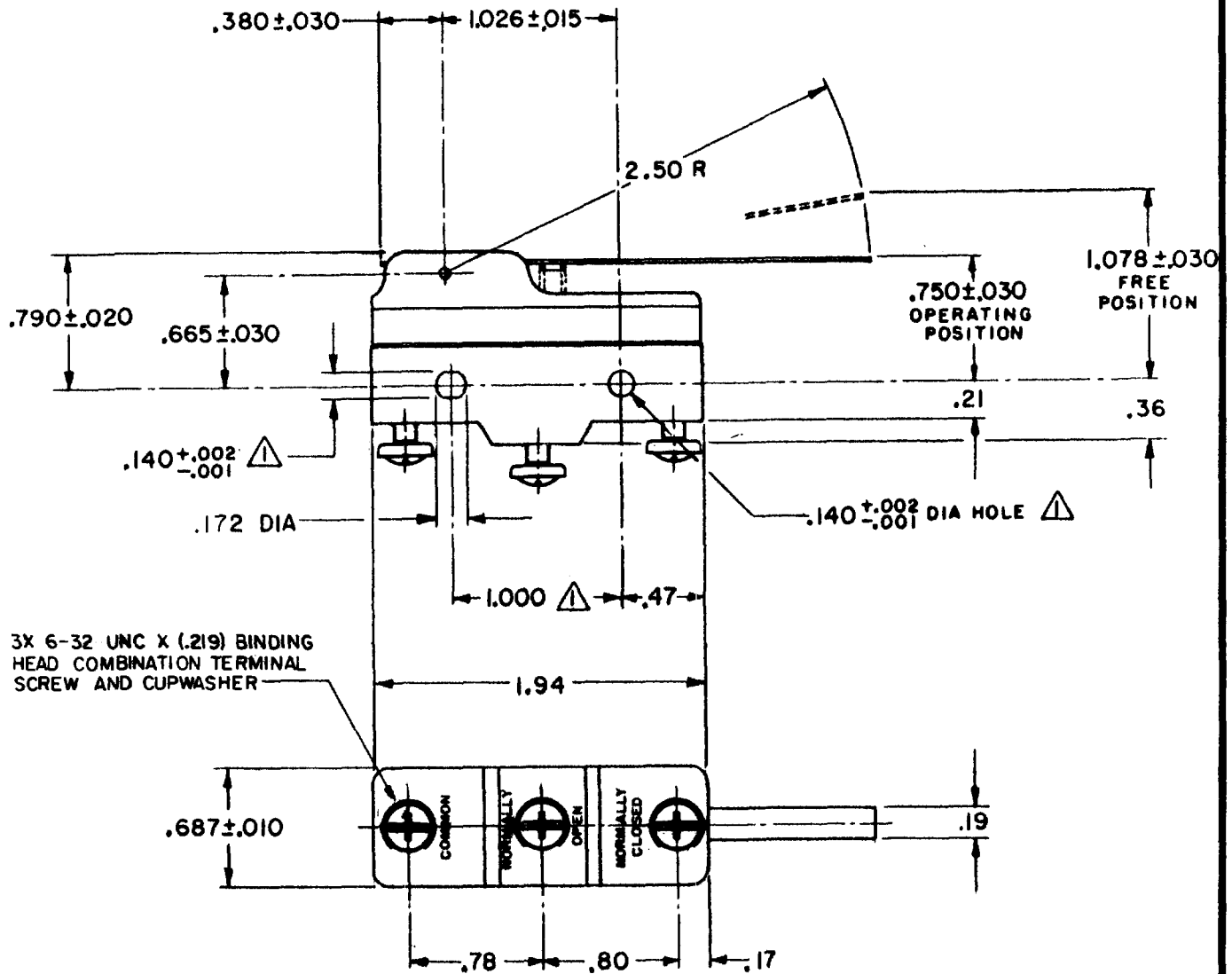
FED. MFR. CODE 91929

# SWITCH - BASIC

CATALOG LISTING

## BZ-2RW80-A2

**M BZ-2RW80-A2**  
 PAGE 1 OF 1  
 DRAWING NUMBER  
 ISSUE 7  
 REVISIONS  
 A CO 16736 GCH 12 MAR 62  
 B CO 31001 DAW 16 AUG 72  
 C CO-73287-B DHD 19 MAY 83  
 D CO-77589 MAM 29 MAR 94  
 E CO93346 DLT 2 SEP 98  
 FORMTEK FO-50276  
 GCH 12 MAR 62  
 CHECK DRAWN  
 29 MAR 62  
 CHECK DRAWN  
 29 MAR 62  
 REPLACES  
 RELEASE NO.  
 CHECK  
 CHECK  
 CHECK



3X 6-32 UNC X (.219) BINDING HEAD COMBINATION TERMINAL SCREW AND CUPWASHER

NOTE  
 $\triangle$  - MOUNTING HOLES WILL ACCEPT PINS OR SCREWS OF  $.139$  MAX DIA ON  $1.000 \pm .002$  CENTERS

THIS DRAWING COVERS A PROPRIETARY ITEM AND IS THE PROPERTY OF MICRO SWITCH, A DIVISION OF MINNEAPOLIS-HONEYWELL REGULATOR CO. THIS DRAWING IS NOT TO BE COPIED OR USED WITHOUT THE APPROVAL OF MICRO SWITCH.

CHARACTERISTICS	ELECTRICAL DATA	SCALE FULL
OPERATING FORCE ----- 2 1/2 OZ MAX	CONTACT ARRANGEMENT S P D T	DO NOT SCALE PRINT
RELEASE FORCE ----- 1/2 OZ MIN	UNDERWRITERS' LAB. INC. LISTED RATING 15A-125, 250 OR 480 VAC, 2A-600 VAC -L74- 1/8HP-125 VAC; 1/4HP-250 VAC 1/2A-125 VDC; 1/4A-250 VDC -L288- -L299- -L306-	UNLESS OTHERWISE SPECIFIED DIMENSIONS ARE IN INCHES
DIFFERENTIAL TRAVEL ----- .007-.050		TOLERANCES ARE: ONE PLACE (.0) $\pm .030$ TWO PLACE (.00) $\pm .015$ THREE PLACE (.000) $\pm .005$ ANGLES $\pm$
OVERTRAVEL ----- .219 MIN		16A 250V T85 5E4
		WEIGHT .073 LB