

CATALOG LISTING
BZ-2RW8055513T
 PAGE 1 OF 1
 ISSUE 3
 REVISIONS
 A 95581 DLM 7 SEP 99
 B 0015138 SPK 29 AUG 05
 CHECK
 29 AUG 05
 RJ
 CHECK
 6 JULY 99
 J A F
 CHECK
 6 JULY 99
 J J A
 DRAWN
 FORMTEK

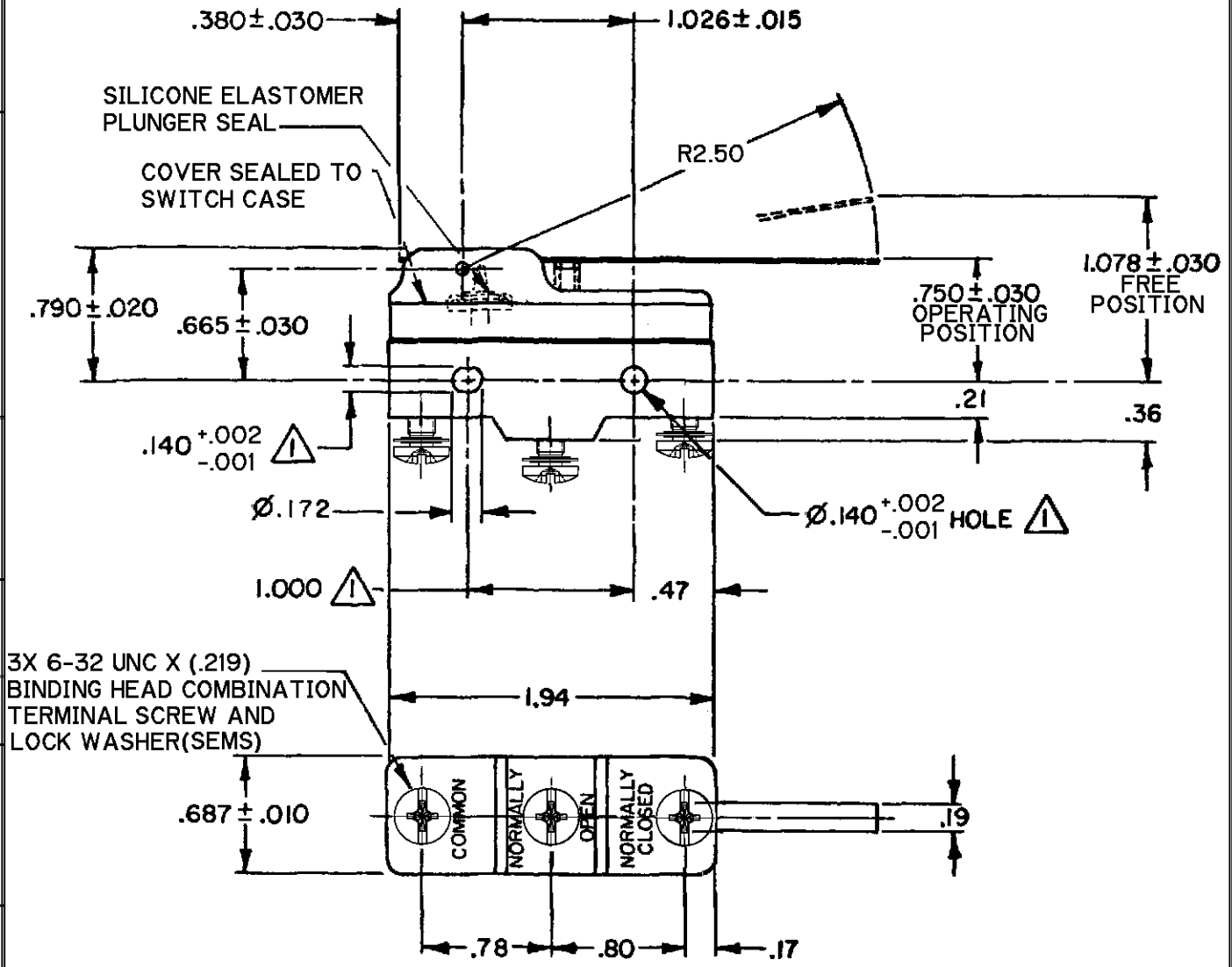
MICRO SWITCH
 a Honeywell Division

FED. MFG. CODE 91929

SWITCH - BASIC

CATALOG LISTING
BZ-2RW8055513T

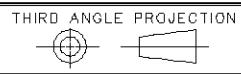
AQB2354



3X 6-32 UNC X (.219)
 BINDING HEAD COMBINATION
 TERMINAL SCREW AND
 LOCK WASHER(SEMS)

- NOTES**
- 1 MOUNTING HOLES WILL ACCEPT PINS OR SCREWS OF Ø.139 MAX ON 1.000±.002 CENTERS
 - 2 - SEALED CONSTRUCTION PROVIDES SPLASH RESISTANCE

THIS DRAWING COVERS A PROPRIETARY ITEM AND IS THE PROPERTY OF MICRO SWITCH, A DIVISION OF HONEYWELL. THIS DRAWING IS NOT TO BE COPIED OR USED WITHOUT THE APPROVAL OF MICRO SWITCH.



CHARACTERISTICS	ELECTRICAL DATA	SCALE	FULL	DO NOT SCALE PRINT
OPERATING FORCE ----- 2 1/2 OZ MAX	CONTACT ARRANGEMENT S P D T	UNLESS OTHERWISE SPECIFIED TOLERANCES ARE		
RELEASE FORCE ----- 1/2 OZ MIN	L96	ONE PLACE	(.0)	±.030
DIFFERENTIAL TRAVEL --- .007 - .050	15A 125, 250 OR 480 VAC 1/8HP 125 VAC, 1/4HP 250 VAC 1/2A 125 VDC, 1/4A 250 VDC	TWO PLACE	(.00)	±.015
OVERTRAVEL ----- .219 MIN	-L288- -L306- -L315-	THREE PLACE	(.000)	±.005
	CE EN05 EC	ANGLES		±
	16A 250V ~ T85 5E4	WEIGHT	.073 LB	

REPLACES PR-24112
 X111633-BZ