

# MICRO SWITCH

FREEMONT ILLINOIS, U.S.A  
A DIVISION OF HONEYWELL  
FED. MFG. CODE 91929

## SWITCH-BASIC

CATALOG LISTING

BZ-2RW80259-A2

M BZ-2RW80259-A2

PAGE 1 OF 1

REPLACES X85375-BZ

DRAWING NUMBER

ISSUE 5

REVISIONS

A	C068179	J A P	17 SEP 90
B	CO-732A7-J	J A L	22 NOV 93
C	CO-77589	TSM	29 MAR 94
D	C093346	DLT	20 SEP 98

CHECK

CHECK

5 MAY 87

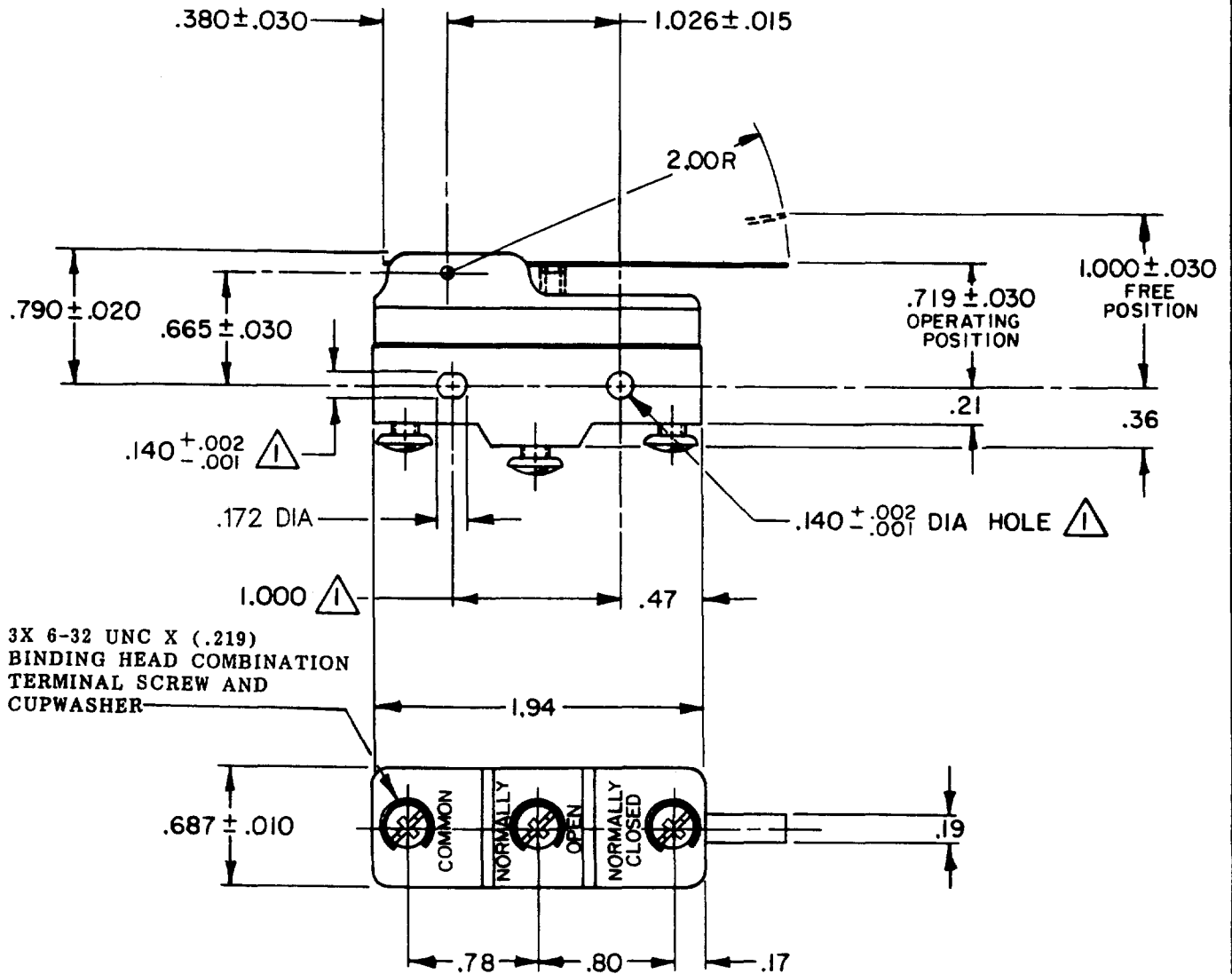
CHECK MAM

5 MAY 87

FORMTEK

FO-52848-A

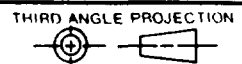
DRAWN



3X 6-32 UNC X (.219)  
BINDING HEAD COMBINATION  
TERMINAL SCREW AND  
CUPWASHER

**NOTE**  
MOUNTING HOLES WILL ACCEPT PINS OR SCREWS  
OF .139 MAX DIA ON 1.000 ± .002 CENTERS

THIS DRAWING COVERS A PROPRIETARY ITEM AND IS THE PROPERTY OF MICRO SWITCH, A DIVISION OF HONEYWELL. THIS DRAWING IS NOT TO BE COPIED OR USED WITHOUT THE APPROVAL OF MICRO SWITCH.



<b>CHARACTERISTICS</b>	<b>ELECTRICAL DATA</b>	SCALE FULL																										
		DO NOT SCALE PRINT																										
		<b>TOLERANCES</b> APPLY TO DESIGN UNITS. CONVERSIONS ARE ONLY FOR REFERENCE. UNLESS NOTED, TOLERANCES ARE ±																										
		<table border="1"> <tr> <th>DIM.</th> <th>TOL.</th> <th>DIM.</th> <th>TOL.</th> </tr> <tr> <td>mm</td> <td>mm/in</td> <td>in</td> <td>mm/in</td> </tr> <tr> <td>NO PLACES</td> <td>X</td> <td>1/04</td> <td></td> </tr> <tr> <td>ONE PLACE</td> <td>X,X</td> <td>0.47/816</td> <td>X,X 0.81/05</td> </tr> <tr> <td>TWO PLACES</td> <td>X,XX</td> <td>0.187/006</td> <td>X,XX 0.367/015</td> </tr> <tr> <td>THREE PLACES</td> <td>X,XXX</td> <td></td> <td>X,XXX 0.131/005</td> </tr> <tr> <td>HOLES</td> <td></td> <td></td> <td></td> </tr> </table>	DIM.	TOL.	DIM.	TOL.	mm	mm/in	in	mm/in	NO PLACES	X	1/04		ONE PLACE	X,X	0.47/816	X,X 0.81/05	TWO PLACES	X,XX	0.187/006	X,XX 0.367/015	THREE PLACES	X,XXX		X,XXX 0.131/005	HOLES	
DIM.	TOL.	DIM.	TOL.																									
mm	mm/in	in	mm/in																									
NO PLACES	X	1/04																										
ONE PLACE	X,X	0.47/816	X,X 0.81/05																									
TWO PLACES	X,XX	0.187/006	X,XX 0.367/015																									
THREE PLACES	X,XXX		X,XXX 0.131/005																									
HOLES																												
OPERATING FORCE - - - - 1 1/4 OZ MAX	CONTACT ARRANGEMENT S P D T	DESIGN UNITS <input type="checkbox"/> SI METRIC <input type="checkbox"/> US CUSTOMARY <input checked="" type="checkbox"/>																										
RELEASE FORCE - - - - - 3/4 OZ MIN	L96 15A 125, 250 OR 480 VAC 1/8 HP 125 VAC, 1/4 HP 250 VAC 1/2A 125 VDC, 1/4A 250 VDC	WEIGHT .073 LB																										
DIFFERENTIAL TRAVEL - - - .003-.040	L288																											
OVERTRAVEL - - - - - .172 MIN	L299 16A 250V ~ T85 5E4																											
	L306																											