

MICRO SWITCH

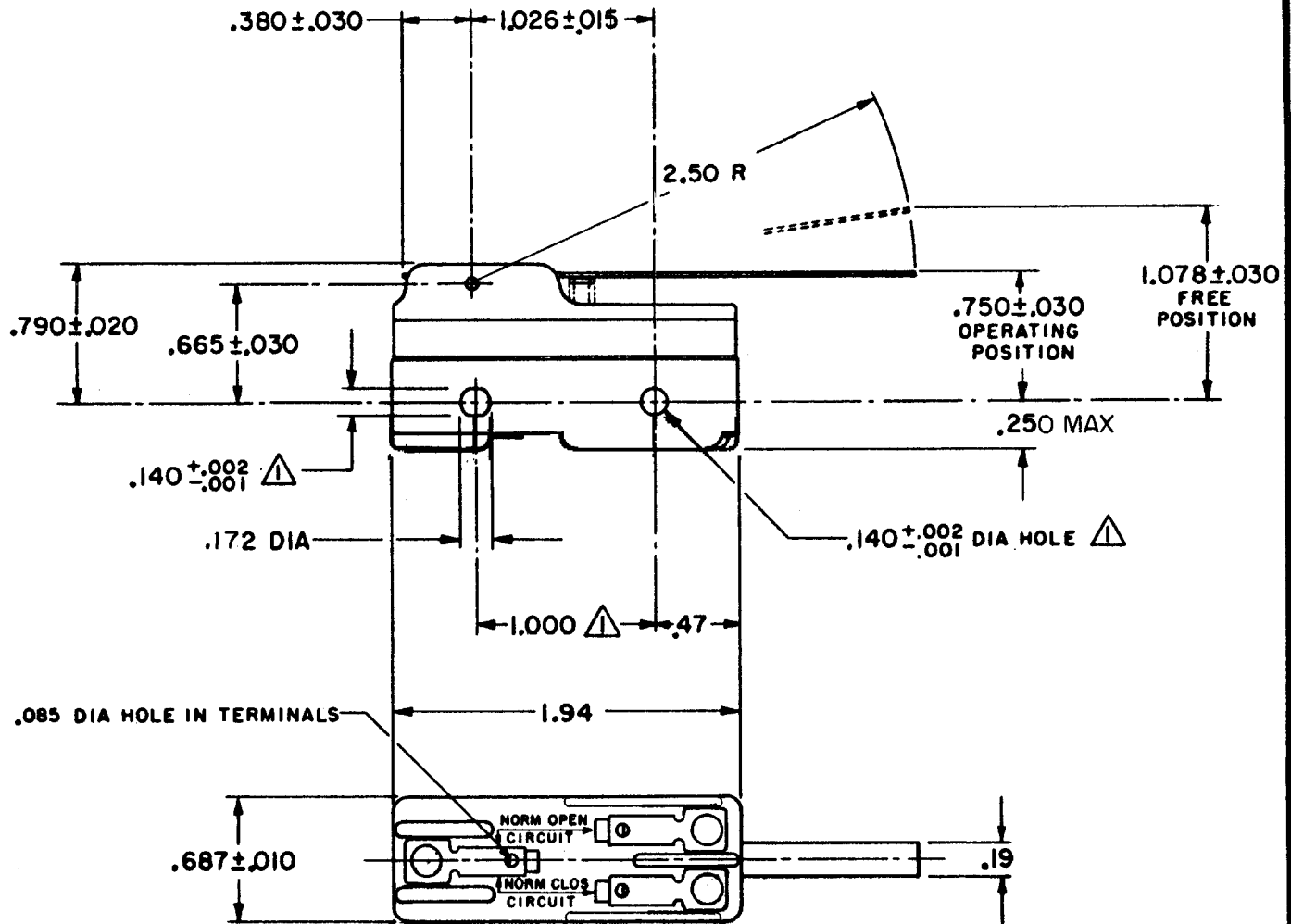
A DIVISION OF MINNEAPOLIS-HONEYWELL REGULATOR COMPANY
 FREEPORT, ILLINOIS

FED. MFR. CODE 91929

SWITCH - BASIC

CATALOG LISTING
BZ-2RW8024




DRAWING NUMBER
BZ-2RW8024
 PAGE 1 OF 1
 ISSUE
M
 1
 RELEASE NO. 204148
 REPLACES X113952-BZ



NOTE
 ▲ MOUNTING HOLES WILL ACCEPT PINS OR SCREWS OF .139 MAX DIA ON 1.000 ± .002 CENTERS.
 2 - SWITCH WILL WITHSTAND TEMPERATURE OF 250°F

THIS DRAWING COVERS A PROPRIETARY ITEM AND IS THE PROPERTY OF MICRO SWITCH, A DIVISION OF MINNEAPOLIS-HONEYWELL REGULATOR CO. THIS DRAWING IS NOT TO BE COPIED OR USED WITHOUT THE APPROVAL OF MICRO SWITCH.

CHARACTERISTICS	
OPERATING FORCE-----	2 1/2 OZ MAX
RELEASE FORCE-----	1/2 OZ MIN
DIFFERENTIAL TRAVEL-----	.007 - .050
OVERTRAVEL-----	.219 MIN

ELECTRICAL DATA	
CONTACT ARRANGEMENT S P D T	
UNDERWRITERS' LAB. INC. LISTED RATING	
-L96-	15A-125, 250, OR 480 VAC
	1/2 A-125 VDC ; 1/4 A-250 VDC
	1/8 HP-125 VAC ; 1/4 HP-250 VAC
-L288-	  
-L299-	
-L306-	
16A 250V ~ T85 5E4	

SCALE FULL	
DO NOT SCALE PRINT	
UNLESS OTHERWISE SPECIFIED	
DIMENSIONS ARE IN INCHES	
TOLERANCES ARE:	
ONE PLACE (.0)	± .030
TWO PLACE (.00)	± .015
THREE PLACE (.000)	± .005
ANGLES	±
WEIGHT .060 LB	

REVISIONS
 CHECK
 CHECK
 11OCT01
 SAV
 CHECK
 11OCT01
 JLH
 DRAWN
 FC-50378