

MICRO SWITCH

FREERPORT ILLINOIS, U.S.A
A DIVISION OF HONEYWELL
FED. MFG. CODE 91929

SWITCH-BASIC

CATALOG LISTING
BZ-2RW80147-P4

APR9030

MIBZ-2RW80147-P4

PAGE 1 OF 1

REPLACES

PR-1568

DRAWING NUMBER

RELEASE NO. 21EFB06

ISSUE 7

RJ

CHECK

REVISIONS

A	CO-73267-G	JAL	20 OCT 93
B	CO-75367B	L J F	3 MAR 94
C	CO-80988	J J A	5 JUN 95
D	CO-77863	G J W	7 MAY 96
E	C093346	DLT	16 SEP 98
F	0018656	NM	21 FEB 06

18 NOV 70

CHECK

SCH

18 NOV 70

CHECK

BAO

18 NOV 70

CHECK

NOV 70

DRAWN

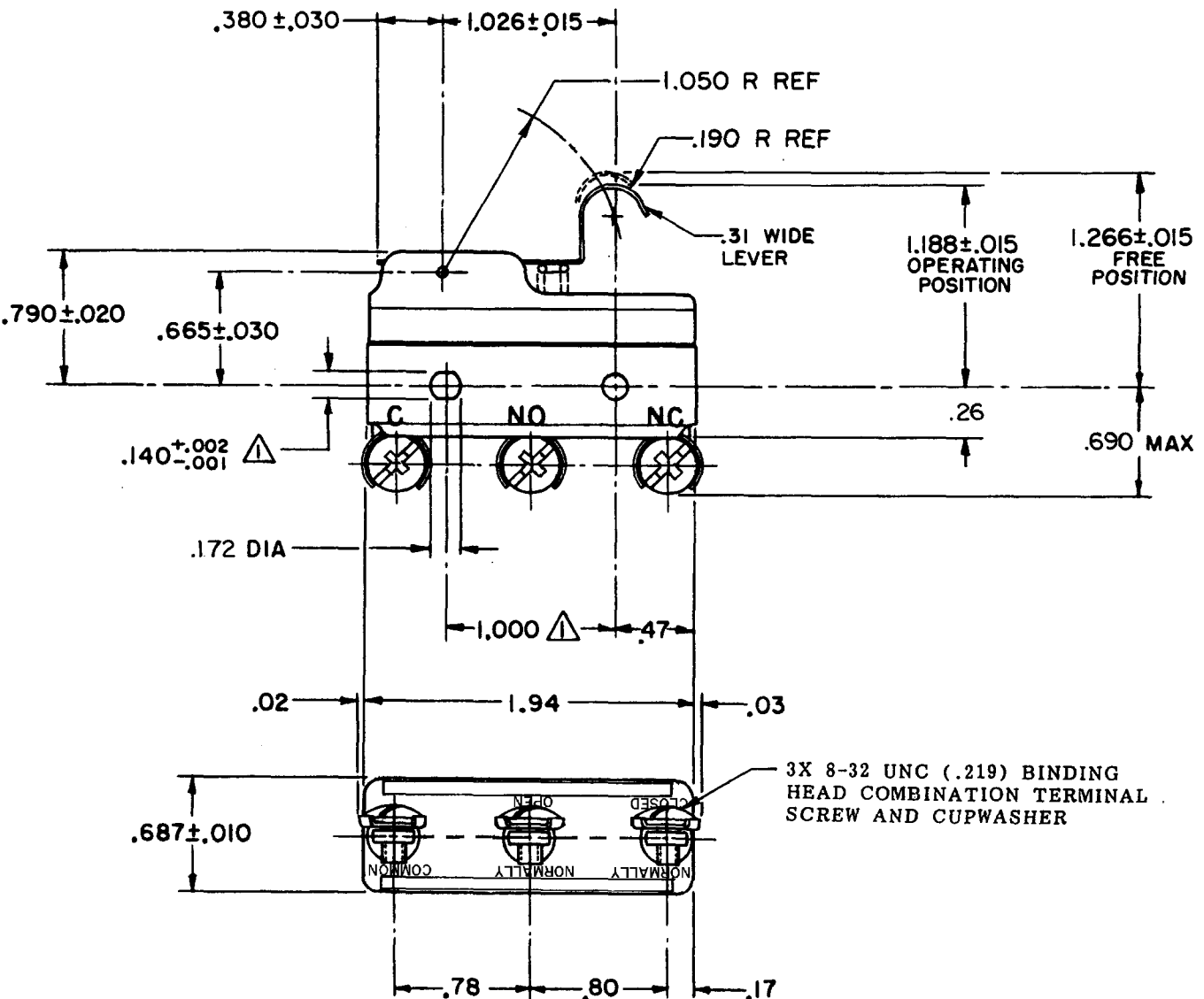
S R H

17 NOV 70

CHECK

NOV 70

CHECK



NOTE
 MOUNTING HOLES WILL ACCEPT PINS OR SCREWS OF .139 MAX DIAMETER ON 1.000 ± .002 CENTERS

THIS DRAWING COVERS A PROPRIETARY ITEM AND IS THE PROPERTY OF MICRO SWITCH, A DIVISION OF HONEYWELL. THIS DRAWING IS NOT TO BE COPIED OR USED WITHOUT THE APPROVAL OF MICRO SWITCH.

CHARACTERISTICS

OPERATING FORCE----- 6 OZ MAX
 RELEASE FORCE----- 1 1/2 OZ MIN
 DIFFERENTIAL TRAVEL----- .003-.020
 OVERTRAVEL----- .094 MIN

ELECTRICAL DATA

CONTACT ARRANGEMENT
 S P D T
 UNDERWRITERS' LAB. INC. LISTED RATING
 -L96- 15A-125, 250, OR 480 VAC
 1/2 A-125 VDC; 1/4A-250 VDC
 1/8 HP-125 VAC; 1/4HP-250 VAC

-L288-
 -L306-
 -L315-

 16A 250V ~ T85 5E4

SCALE FULL

DO NOT SCALE PRINT

UNLESS OTHERWISE NOTED

DIMENSIONS ARE IN INCHES

TOLERANCES ARE:
 ONE PLACE (.0) ± .030
 TWO PLACE (.00) ± .015
 THREE PLACE (.000) ± .005
 ANGLES ± .005

WEIGHT

FORMTEK

O-50378-1A

DRAWN

NOV 70

CHECK