

MICRO SWITCH

A DIVISION OF MINNEAPOLIS-HONEYWELL REGULATOR COMPANY
MINNETONKA, MINNESOTA

FED. MFR. CODE 91929

SWITCH - BASIC

CATALOG LISTING

BZ-2RW80136-A2

APR5500

BZ-2RW80136-A2

PAGE 1 OF 1

M

DRAWING NUMBER

ISSUE

8

REPLACES

MPS

RELEASE NO.

CHECK

REVISIONS

A	CO	16736	6 C H	30 APRIL 62
B	CO	34306	DAW	18 SEP 75
C	CO	73287-J	JAL	22 NOV 93
D	CO	77589	TSN	29 MAR 94
E	CO	093346	DLT	16 SEP 98
F	CO	0017978	LKM	20 FEB 06

CHECK

25 MAY 62

DAW

CHECK

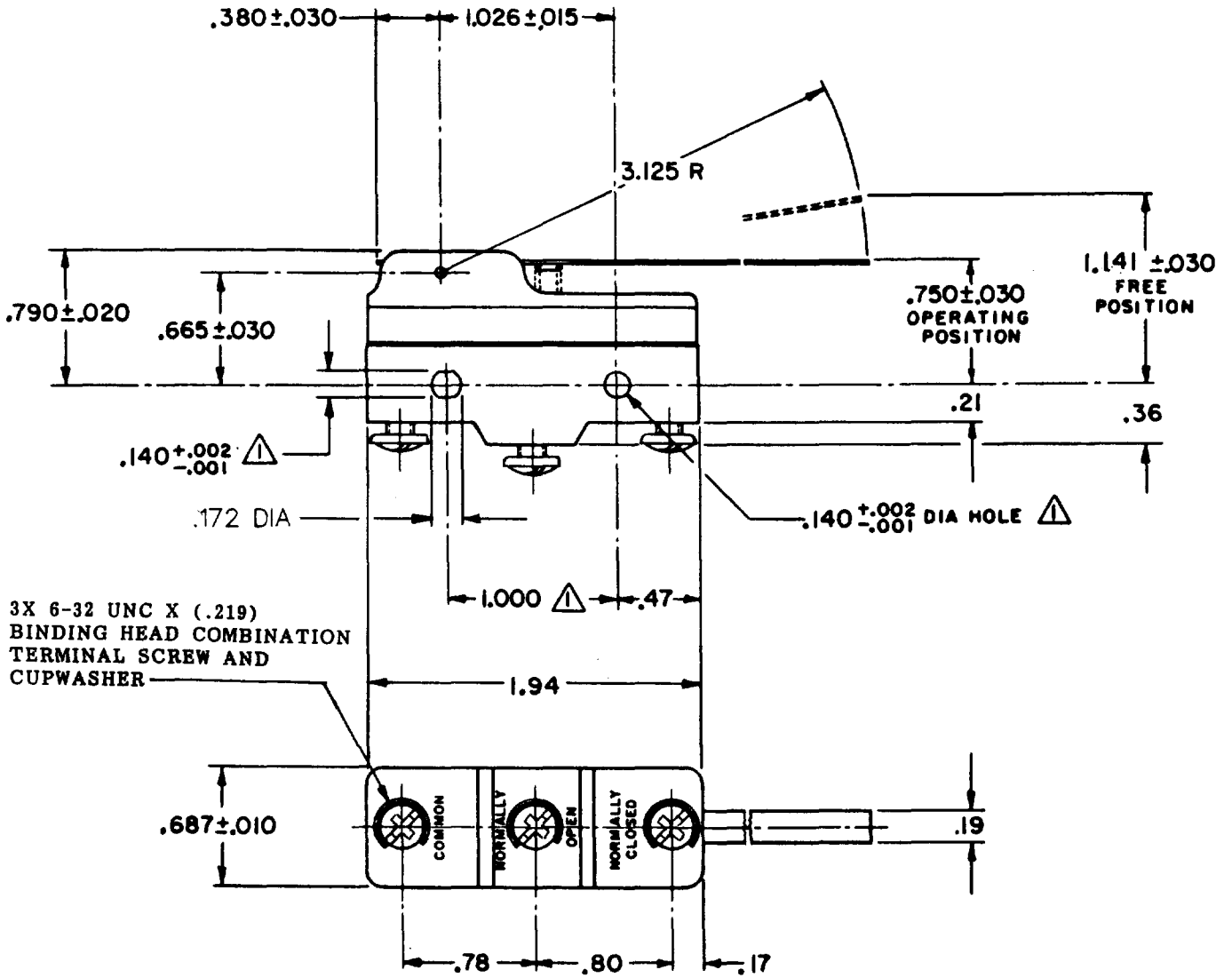
30 APRIL 62

DRAWN

GCH

30 APRIL 62

GCH



3X 6-32 UNC X (.219)
BINDING HEAD COMBINATION
TERMINAL SCREW AND
CUPWASHER

NOTE
MOUNTING HOLES WILL ACCEPT PINS OR SCREWS
OF .139 MAX DIA ON 1.000±.002 CENTERS

THIS DRAWING COVERS A PROPRIETARY ITEM AND IS THE PROPERTY OF MICRO SWITCH, A DIVISION OF MINNEAPOLIS-HONEYWELL REGULATOR CO. THIS DRAWING IS NOT TO BE COPIED OR USED WITHOUT THE APPROVAL OF MICRO SWITCH.

CHARACTERISTICS	ELECTRICAL DATA	SCALE FULL
OPERATING FORCE ----- 2 1/4 OZ MAX	CONTACT ARRANGEMENT S P D T	DO NOT SCALE PRINT
RELEASE FORCE ----- 1/2 OZ MIN	-L96- 15A-125, 250, OR 400 VAC 1/2 A-125 VDC; 1/4 A-250 VDC 1/8 HP-125 VAC; 1/4 HP-250 VAC -L288- -L315- -L306-	UNLESS OTHERWISE SPECIFIED DIMENSIONS ARE IN INCHES TOLERANCES ARE:
DIFFERENTIAL TRAVEL ----- .010-.063		ONE PLACE (.0) ±.000 TWO PLACE (.00) ±.010 THREE PLACE (.000) ±.005 ANGLES ±
OVERTRAVEL ----- .278 MIN		CE SA 05 16A 250V ~ T85 5E4
		WEIGHT .073 LB

FORMTEK

10-80376