



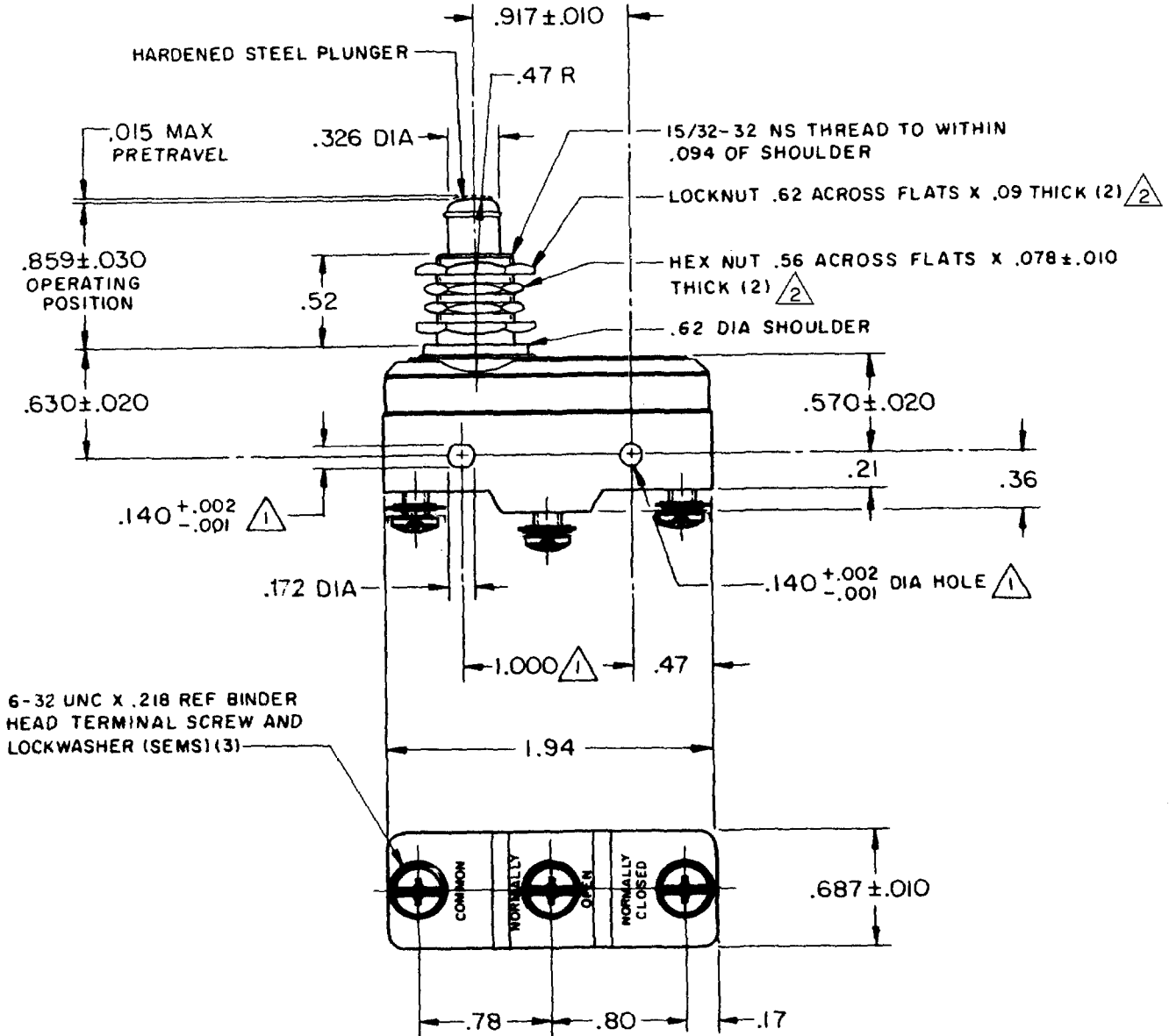
MICRO SWITCH
 FREEPORT, ILLINOIS, U.S.A.
 A DIVISION OF HONEYWELL

FED. MFG. CODE 91929

SWITCH - BASIC

CATALOG LISTING
BZ - 2RQ1T

BZ-2RQ1T
 PAGE 1 OF 1
 M
 DRAWING NUMBER
 15
 ISSUE
 REVISIONS
 A CO17410
 G C H
 20 MAY 63
 B CO21231
 R E R
 21 MAR 66
 C CO-
 88351-D
 JWS
 18 JUL 91
 D CO-
 77589
 K D R
 29 MAR 94
 E CO-82133
 CSL
 25 JUL 96
 F CO93346
 D L T
 10 SEP 98
 FORMTEK
 FO-30376
 DRAWN
 G C H
 20 MAY 63
 CHECK
 L.S.D. 15 JUN 63
 CHECK
 20 MAY 63
 REPLACES
 RELEASE NO.



- NOTES
- ① MOUNTING HOLES WILL ACCEPT PINS OR SCREWS OF .139 MAX DIA ON 1.000±.002 CENTERS
 - ② HARDWARE FURNISHED UNASSEMBLED

THIS DRAWING COVERS A PROPRIETARY ITEM AND IS THE PROPERTY OF MICRO SWITCH, A DIVISION OF MINNEAPOLIS-HONEYWELL REGULATOR CO. THIS DRAWING IS NOT TO BE COPIED OR USED WITHOUT THE APPROVAL OF MICRO SWITCH.

CHARACTERISTICS	
OPERATING FORCE	-----9-13 OZ
RELEASE FORCE	-----4 OZ MIN
DIFFERENTIAL TRAVEL	-----.0004-.0020
OVERTRAVEL	-----.219 MIN

ELECTRICAL DATA	
CONTACT ARRANGEMENT S P D T	
UNDERWRITERS' LAB. INC. LISTED RATING	
-L96-	15 A-125, 250, OR 480 VAC 1/2 A-125 VDC, 1/4 A-250 VDC 1/8 HP-125 VAC, 1/4 HP-250 VAC
-L288-	
-L299-	
-L306-	
16A 250V ~ T85 5E4	

SCALE FULL	
DO NOT SCALE PRINT	
UNLESS OTHERWISE NOTED	
DIMENSIONS ARE IN INCHES	
TOLERANCES ARE:	
ONE PLACE (.0)	±.030
TWO PLACE (.00)	±.015
THREE PLACE (.000)	±.005
ANGLES	±
WEIGHT .094 LB	