

MICRO SWITCH

A DIVISION OF MINNEAPOLIS-HONEYWELL REGULATOR COMPANY
PRAIRIE, ILLINOIS

FED. MFR. CODE 91929

SWITCH-BASIC

CATALOG LISTING

BZ-2RQ1-D6

BZ-2RQ1-D6
PAGE 1 OF 1

M
DRAWING NUMBER

11
ISSUE

REPLACES

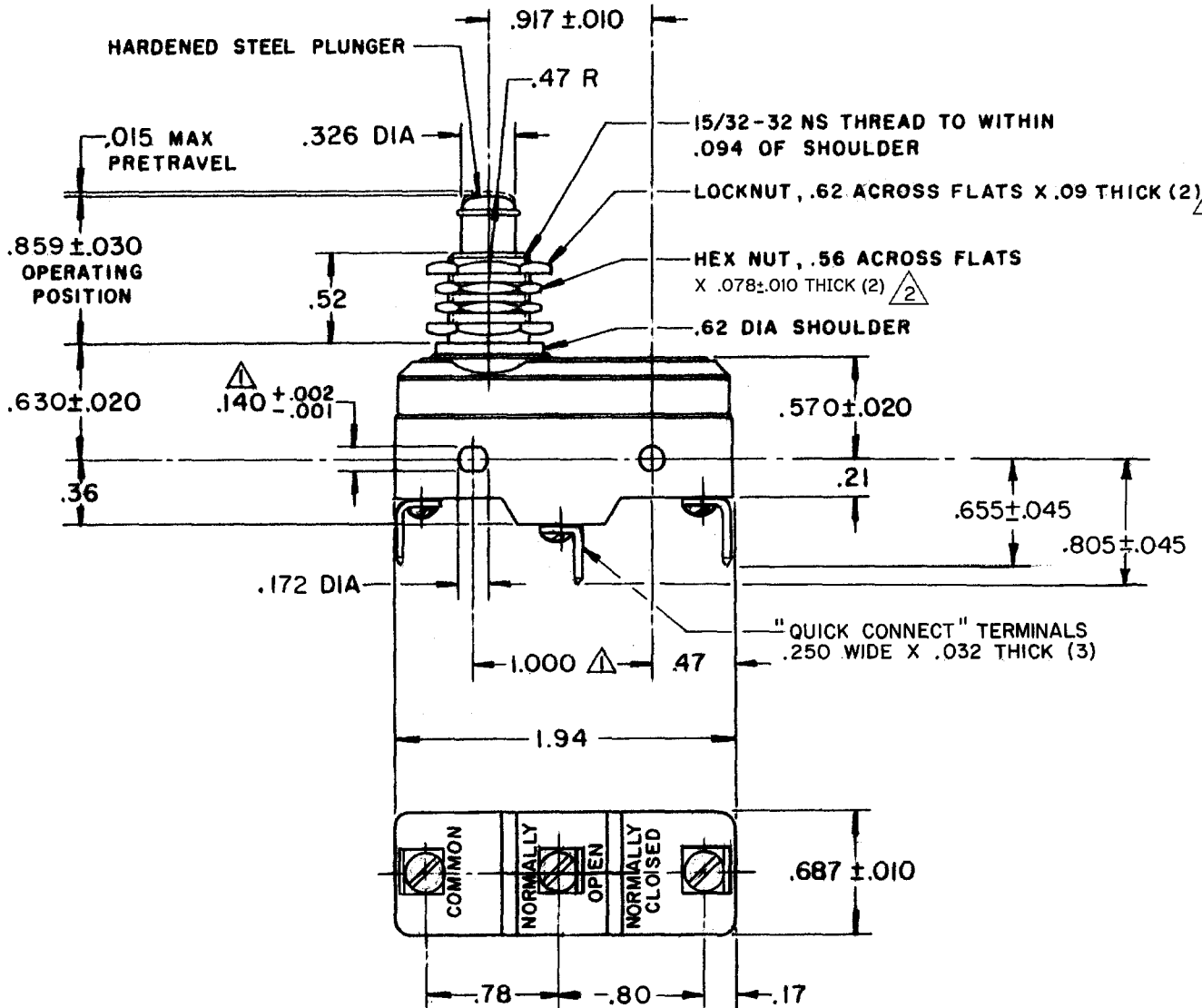
PR-2594

RELEASE NO.

CHECK

REVISIONS

A	CO14866	JID	20 APR 60
B	OBS DWG CO18857	HBW	28 JAN 64
C	REINS EYS	RLD	9 FEB 66
D	PR-2594	SRH	20 APR 72
E	CO 46317	SMA	4 SEPT 79
F	PR8349	SLB	17 DEC 79
G	CO 77589	JAL	30 MAR 94
H	CO 80938	DLT	12 JUN 95
J	CO-82133	CSL	30 JUL 96
K	CO93346	DLT	10 SEP 98



- NOTES**
- ① MOUNTING HOLES WILL ACCEPT PINS OR SCREWS OF .139 MAX DIA ON 1.000±.002 CENTERS
 - ② HARDWARE FURNISHED UNASSEMBLED

THIS DRAWING COVERS A PROPRIETARY ITEM AND IS THE PROPERTY OF MICRO SWITCH, A DIVISION OF MINNEAPOLIS-HONEYWELL REGULATOR CO. THIS DRAWING IS NOT TO BE COPIED OR USED WITHOUT THE APPROVAL OF MICRO SWITCH.

CHARACTERISTICS	
OPERATING FORCE	-----9-13 OZ
RELEASE FORCE	-----4 OZ MIN
DIFFERENTIAL TRAVEL	----.0004-.002
OVERTRAVEL	-----.219 MIN

ELECTRICAL DATA	
CONTACT ARRANGEMENT S P D T	
UNDERWRITERS' LAB. INC. LISTED RATING	
-L96-	15A-125, 250, OR 480 VAC
	1/2 A-125 VDC; 1/4 A-250 VDC
	1/8 HP-125 VAC; 1/4 HP-250 VAC
-L288-	CE
-L299-	D
-L306-	SP
	16A 250V ~ T85 5E4

SCALE FULL	
DO NOT SCALE PRINT	
UNLESS OTHERWISE SPECIFIED DIMENSIONS ARE IN INCHES	
TOLERANCES ARE:	
ONE PLACE (.0)	±.030
TWO PLACE (.00)	±.015
THREE PLACE (.000)	±.008
ANGLES	±
WEIGHT .094 LB	

FORMTEK
FO-50378
DRAWN
MBF 7 JULY 60
CHECK
GCH 7 JUL 60