



MICRO SWITCH
 FREEPORT ILLINOIS
 A DIVISION OF HONEYWELL
 FED. MFG. CODE 91929

SWITCH - BASIC

CATALOG LISTING

BZ-2RQ18-P4

ALH2500

BZ-2RQ18-P4
 PAGE 1 OF 1

M

DRAWING NUMBER

10

ISSUE

REVISIONS

A CO16881

21 FEB 63

B CO-75367B

20 OCT 93

C CO-75367B

3 MAR 94

D CO-77863

6 MAY 96

E CO-82133

2 AUG 96

F CO-83422

21 OCT 96

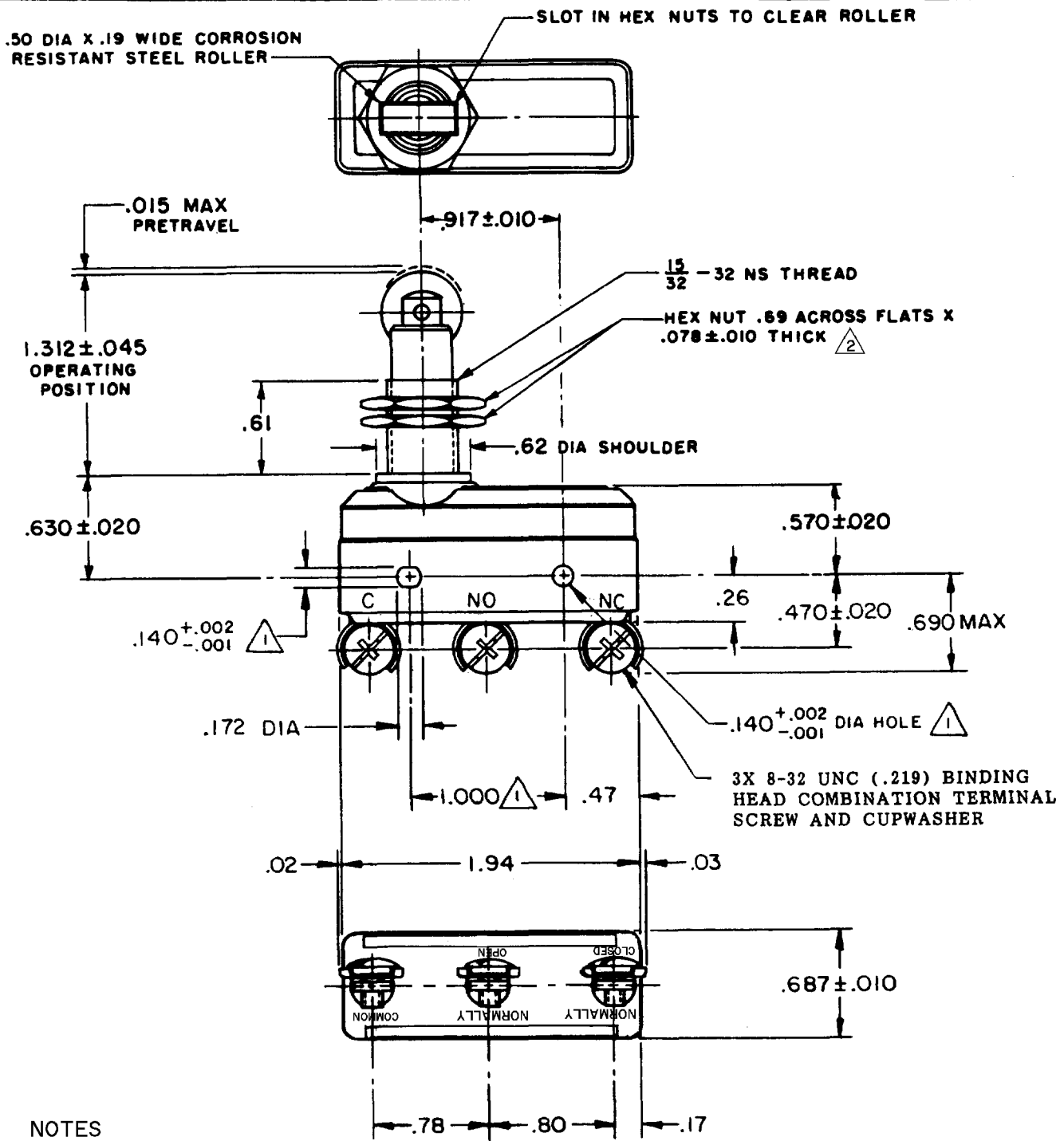
G CO93346

10 SEP 98

H 0018004

19 JAN 06

REPLACES
 RELEASE NO.
 CHECK
 19 JAN 06
 RJ
 CHECK
 5, MAR '03
 CHECK
 21 FEB 63
 DRAWN
 GCH



NOTES
 1 MOUNTING HOLES WILL ACCEPT PINS OR SCREWS OF .139 MAX DIA ON 1.000 ± .002 CENTERS
 2 HARDWARE FURNISHED UNASSEMBLED

THIS DRAWING COVERS A PROPRIETARY ITEM AND IS THE PROPERTY OF MICRO SWITCH, A DIVISION OF MINNEAPOLIS-HONEYWELL REGULATOR CO. THIS DRAWING IS NOT TO BE COPIED OR USED WITHOUT THE APPROVAL OF MICRO SWITCH.

CHARACTERISTICS	
OPERATING FORCE	9-13 OZ
RELEASE FORCE	4 OZ MIN
DIFFERENTIAL TRAVEL	.0004-.0020
OVERTRAVEL	.141 MIN

ELECTRICAL DATA	
CONTACT ARRANGEMENT S P D T	
-L96-	15A-125, 250, OR 400 VAC 1/2 A-125 VDC; 1/4 A-250 VDC
-L288-	1/8 HP-125 VAC; 1/4 HP-250 VAC
-L306-	
-L315-	

SCALE FULL	
DO NOT SCALE PRINT	
UNLESS OTHERWISE SPECIFIED DIMENSIONS ARE IN INCHES	
TOLERANCES ARE:	
ONE PLACE (.0)	±.030
TWO PLACE (.00)	±.015
THREE PLACE (.000)	±.005
ANGLES	±
WEIGHT .132 LB	

FORMTEK
 FO-80376