

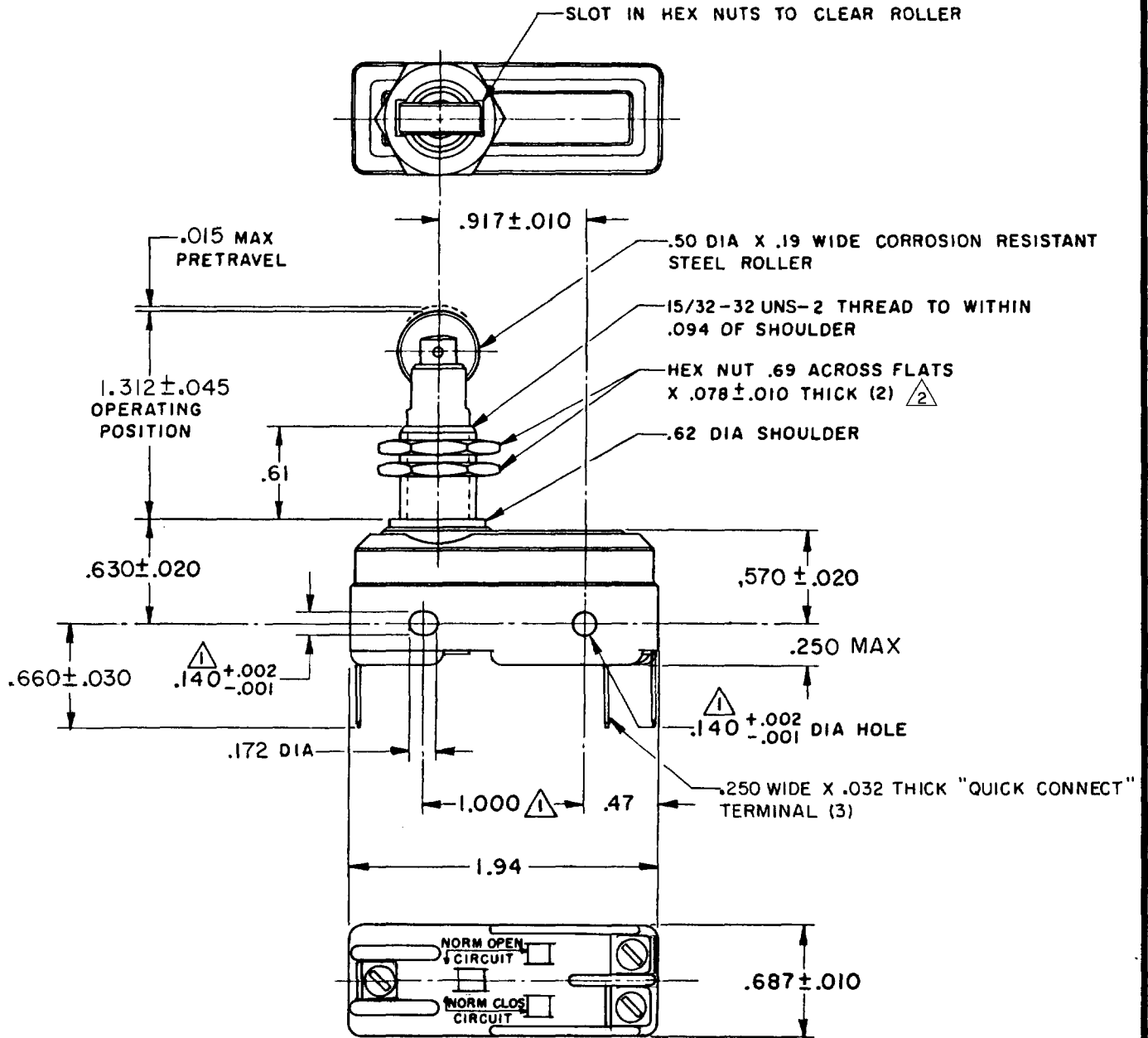
MICRO SWITCH

FREERPORT ILLINOIS, U.S.A
A DIVISION OF HONEYWELL
FED. MFG. CODE 91929

SWITCH - BASIC

CATALOG LISTING

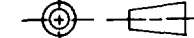
BZ-2RQ18-D5



- NOTES
- $\triangle 1$ MOUNTING HOLES WILL ACCEPT PINS OR SCREWS OF .139 MAX DIA ON 1.000 ± .002 CENTERS
 - $\triangle 2$ HARDWARE FURNISHED UNASSEMBLED

THIS DRAWING COVERS A PROPRIETARY ITEM AND IS THE PROPERTY OF MICRO SWITCH, A DIVISION OF HONEYWELL. THIS DRAWING IS NOT TO BE COPIED OR USED WITHOUT THE APPROVAL OF MICRO SWITCH.

THIRD ANGLE PROJECTION



CHARACTERISTICS

OPERATING FORCE - - - - - 9-13 OZ
RELEASE FORCE - - - - - 4 OZ MIN
DIFFERENTIAL TRAVEL - .0004 - .0020
OVERTRAVEL - - - - - .140 MIN

ELECTRICAL DATA

CONTACT ARRANGEMENT
S P D T

UL LISTED-FILE E12252
CODE L96 15A-125, 250 OR 480 VAC
1/8 HP-125 VAC; 1/4 HP-250 VAC
1/2 A-125 VDC; 1/4 A-250 VDC

L288
L299
L306

CE $\text{\textcircled{D}}$ $\text{\textcircled{SF}}$

16A 250V \sim T85 5E4

SCALE FULL

DO NOT SCALE PRINT

TOLERANCES
APPLY TO DESIGN UNITS. CONVERSIONS ARE ONLY FOR REFERENCE. UNLESS NOTED, TOLERANCES ARE \pm

DIM.	TOL.	DIM.	TOL.
mm	mm/in	in	mm/in
NO PLACES	X	1/DA	
ONE PLACE	X,X	0.4/015	X X 0.6/03
TWO PLACES	X,XX	0.15/006	X XX 0.38/015
THREE PLACES	X,XXX		X XXX 0.13/005
ANGLES			

DESIGN UNITS SI METRIC US CUSTOMARY

WEIGHT .107 LB

M BZ-2RQ18-D5

DRAWING NUMBER

6

ISSUE

CHECK

REVISIONS

REV	CO	DATE	BY
A	58037	1 OCT 85	SM
B	77591	22 JUN 94	DAW
C	82133		CSL
D	093346		DLT
E	94212-C	17 SEP 99	DLT

REPLACES

RELEASE NO. PR-6563

CHECK

CHECK

30 JUNE 77

C E B

C E B

77

29 JUN 77

C E B

77

FORMTEK

FO-52848-A

DRAWN