

**MICRO SWITCH**  
a Honeywell Division

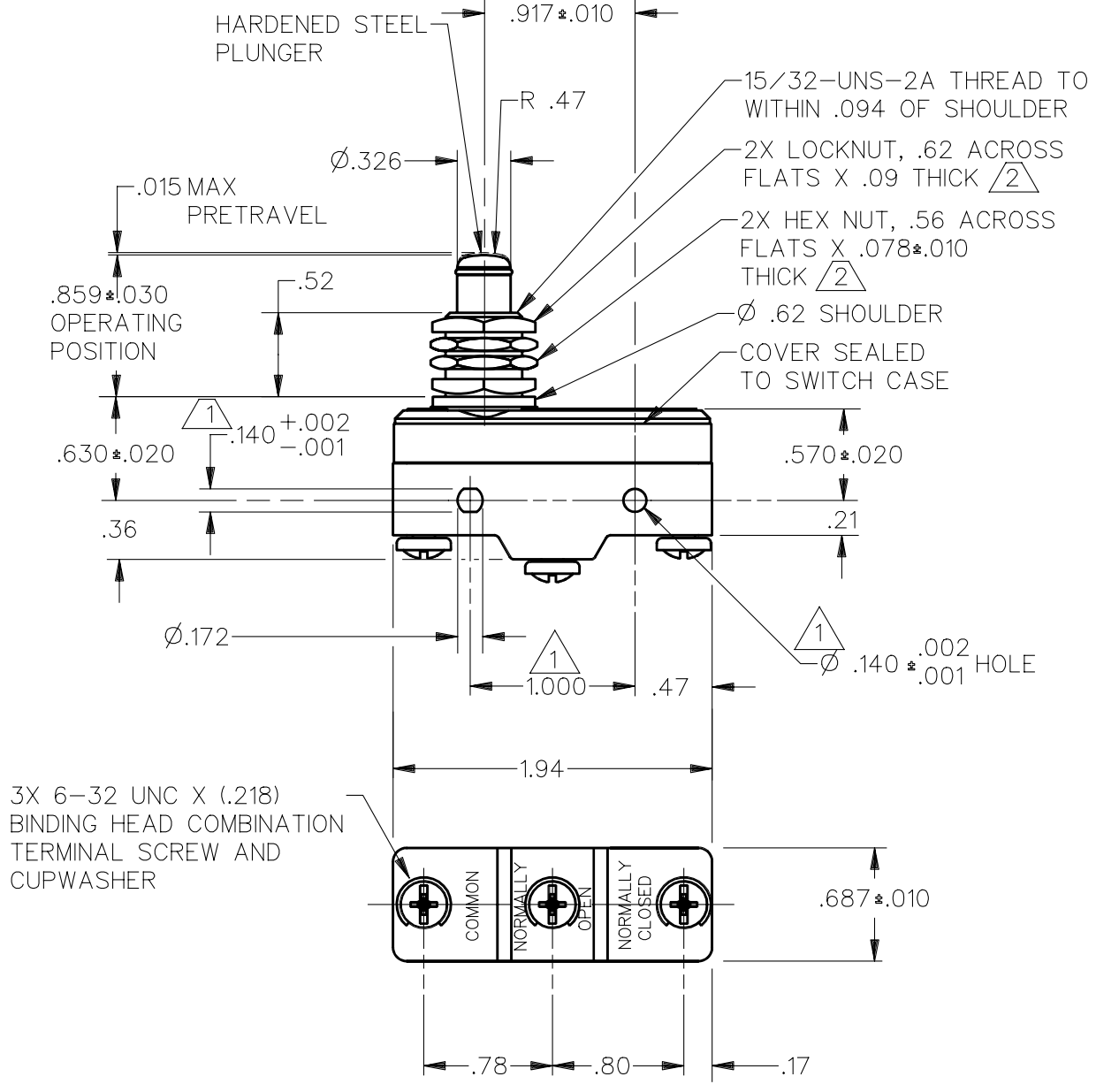
FED. MFG. CODE 91 929

**SWITCH-BASIC**

CATALOG LISTING

**BZ-2RQ1008-A2**

CATALOG LISTING  
BZ-2RQ1008-A2  
PAGE 1 OF 1  
ISSUE 6  
REPLACES X97331-BZ  
RELEASE NO. PR-20635  
CHECK  
REVISIONS  
A CO-76742 LJJ 2 MAR 94  
B CO-77589 LJJ 31 MAR 94  
C CO-77853 MAM 17 AUG 94  
D C082133 J A K 30 JUL 96  
E C093346 D L T 12 AUG 98  
CHECK  
J W B 20 AUG 93  
J W B 18 AUG 93  
CHECK  
D D M / C A D  
DRAWN  
L J J

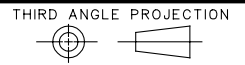




3X 6-32 UNC X (.218)  
BINDING HEAD COMBINATION  
TERMINAL SCREW AND  
CUPWASHER

NOTE  
 1 MOUNTING HOLES WILL ACCEPT PINS OR SCREWS  
OF .139 MAX DIA ON 1.000±.002 CENTERS  
 2 HARDWARE FURNISHED UNASSEMBLED

ANSI Y14.5M-1982 APPLIES

THIS DRAWING COVERS A PROPRIETARY ITEM AND IS THE PROPERTY OF MICRO SWITCH, A DIVISION OF HONEYWELL. THIS DRAWING IS NOT TO BE COPIED OR USED WITHOUT THE APPROVAL OF MICRO SWITCH.



CHARACTERISTICS	ELECTRICAL DATA	SCALE FULL	DO NOT SCALE PRINT
OPERATING FORCE ----- 5 OZ MAX	CONTACT ARRANGEMENT S P D T	<b>UNLESS OTHERWISE SPECIFIED TOLERANCES ARE</b> ONE PLACE (.0) ±.030 TWO PLACE (.00) ±.015 THREE PLACE (.000) ±.005 ANGLES ± WEIGHT .094 LB	
RELEASE FORCE ----- 2 1/2 OZ MIN	L9 10A 125, <u>250</u> OR 480 VAC 1/2A 125 VDC, 1/4A 250 VDC		
DIFFERENTIAL TRAVEL ---- .0004-.002	L288		
OVERTRAVEL ----- .219 MIN	CE  		
OVERTRAVEL FORCE ----- 10 OZ MAX			