

MICRO SWITCH

FREEPORT ILLINOIS, U.S.A
A DIVISION OF HONEYWELL

FED. MFG. CODE 91929

CATALOG LISTING

BZ-2RN770

SWITCH-BASIC

AKS7600 & JG07952

X43454-BZ

BZ-2RN770
PAGE 1 OF 1

M

DRAWING
NUMBER

9

ISSUE

REPLACES

RELEASE NO. PR-1249

18 FEB 06

RJ

CHECK

REVISIONS

A	CO	33708	81 JUN 74
B	CO	35336	

K	P	K	9 MAY 75
C	CO	36332	

R	R	R	14 JAN 76
D	CO	38099	

K	P	K	15 JUN 77
E	CO	73287-J	

J	A	L	22 NOV 93
F	CO	77592	

D	A	W	15 AUG 94
G	CO	93346	

D	L	T	1 SEP 98
H	CO	018449	

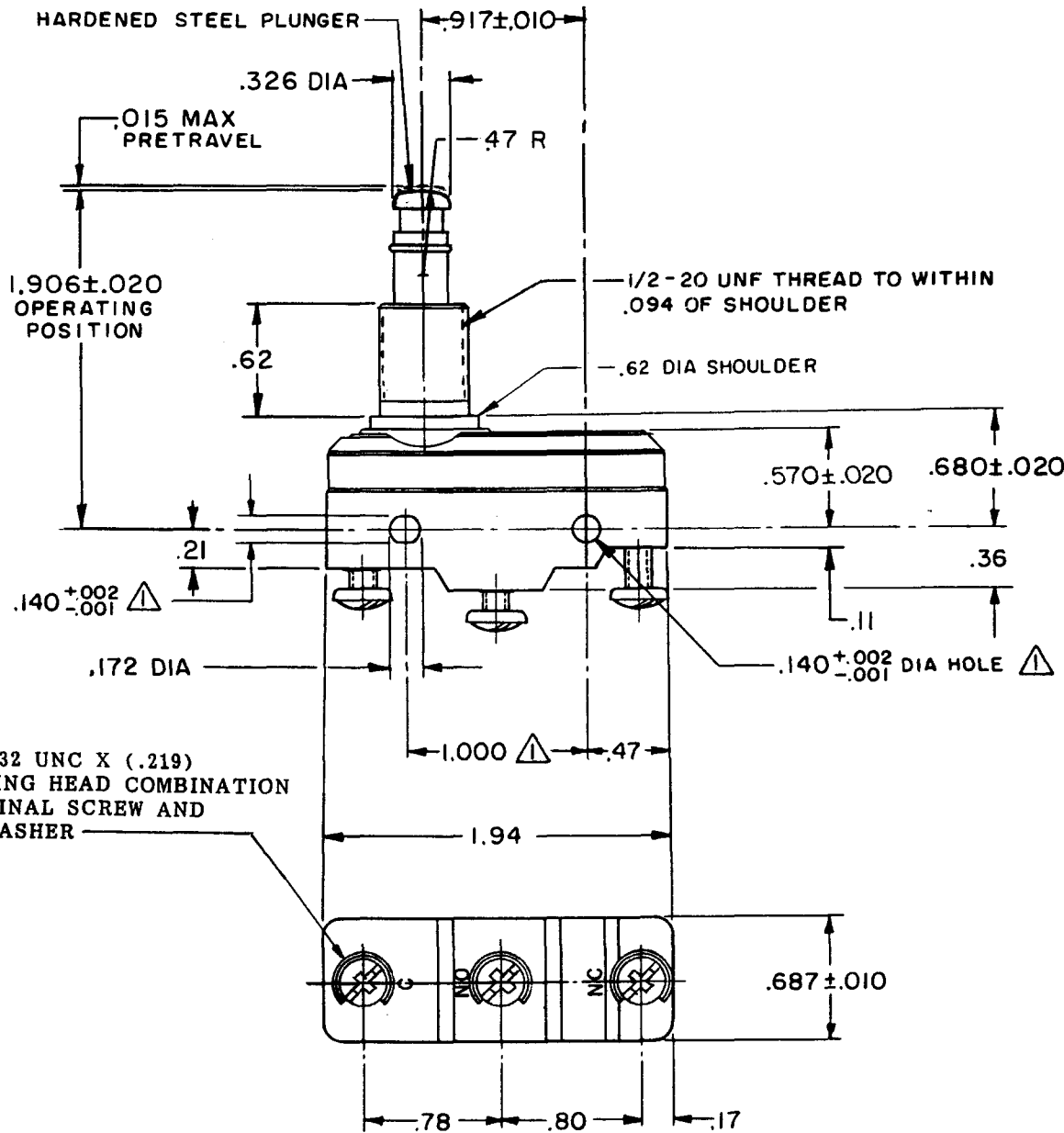
D	V	M	18 FEB 06
---	---	---	-----------

FORMTEK

0-30378-1A

DRAWN

MB S 6 JAN 70



NOTE
 ▲ - MOUNTING HOLES WILL ACCEPT PINS OR SCREWS OF $.139$ MAX DIA ON $1.000 \pm .002$ CENTERS

THIS DRAWING COVERS A PROPRIETARY ITEM AND IS THE PROPERTY OF MICRO SWITCH, A DIVISION OF HONEYWELL. THIS DRAWING IS NOT TO BE COPIED OR USED WITHOUT THE APPROVAL OF MICRO SWITCH.

CHARACTERISTICS	ELECTRICAL DATA	SCALE FULL
OPERATING FORCE ----- 9-13 OZ	CONTACT ARRANGEMENT S P D T	DO NOT SCALE PRINT
RELEASE FORCE ----- 4 OZ MIN	15A-125, 250 OR 480 VAC, 2A-600 VAC 1/8HP-125 VAC; 1/4HP-250 VAC CODE L74 1/2A-125 VDC; 1/4A-250 VDC	UNLESS OTHERWISE NOTED
DIFFERENTIAL TRAVEL ---- .0004-.0020		
OVERTRAVEL ----- .219 MIN	L288 L315 L306 16A 250V T85 5E4	TOLERANCES ARE: ONE PLACE (.) ±.030 TWO PLACE (.00) ±.015 THREE PLACE (.000) ±.005 ANGLES
		WEIGHT