

MICRO SWITCH
a Honeywell Division

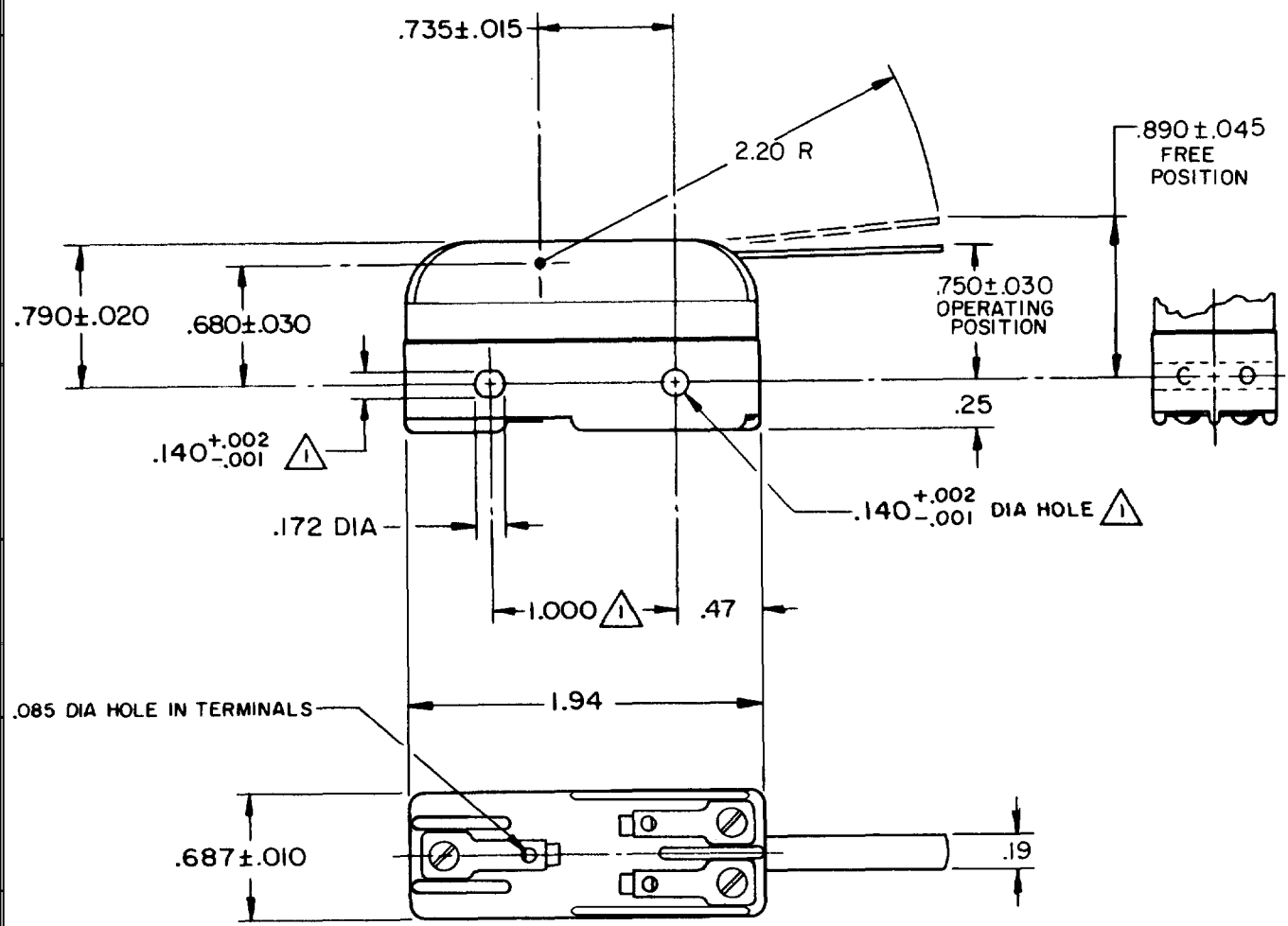
FED. MF6. CODE 91929

SWITCH - BASIC

CATALOG LISTING

BZ-2RM

CATALOG LISTING
BZ-2RM
 PAGE 1 OF 1
 ISSUE **10**
 REVISIONS
A CO17410
 RJW 15 AUG 64
B CO-77591
 DAW 22 JUN 94
C CO93346
 DLT 10 SEP 98
D CO-94212-L
 DLM 9 FEB 00
 CHECK
 DAW 18 SEPT 64
 CHECK
 DAW 15 AUG 64
 CHECK
 FORMTEK
 DRAWN
 RJW 15 AUG 64
 REPLACES
 RELEASE NO.



NOTE
 MOUNTING HOLES WILL ACCEPT PINS OR SCREWS
 OF .139 MAX DIA ON 1.000±.002 CENTERS

THIS DRAWING COVERS A PROPRIETARY ITEM AND IS THE PROPERTY OF MICRO SWITCH, A DIVISION OF HONEYWELL. THIS DRAWING IS NOT TO BE COPIED OR USED WITHOUT THE APPROVAL OF MICRO SWITCH.

THIRD ANGLE PROJECTION

CHARACTERISTICS	
OPERATING FORCE	6 OZ MAX
RELEASE FORCE	1 OZ MIN
PRETRAVEL	.219 MAX
DIFFERENTIAL TRAVEL	.004-.035
OVERTRAVEL	.219 MIN

ELECTRICAL DATA	
CONTACT ARRANGEMENT S P D T	
UNDERWRITERS' LAB. INC. LISTED RATING	
-L96-	15 A-125, 250, OR 480 VAC
	1/2 A-125 VDC; 1/4 A-250 VDC
	1/8 HP-125 VAC; 1/4 HP-250 VAC
-L288-	
-L299-	
-L306-	
	16A 250V ~ T85 5E4

SCALE	FULL	DO NOT SCALE PRINT
ONE PLACE	(.0)	±.030
TWO PLACE	(.00)	±.015
THREE PLACE	(.000)	±.005
ANGLES		±
WEIGHT	.060 LB	