

**MICRO SWITCH**  
a Honeywell Division

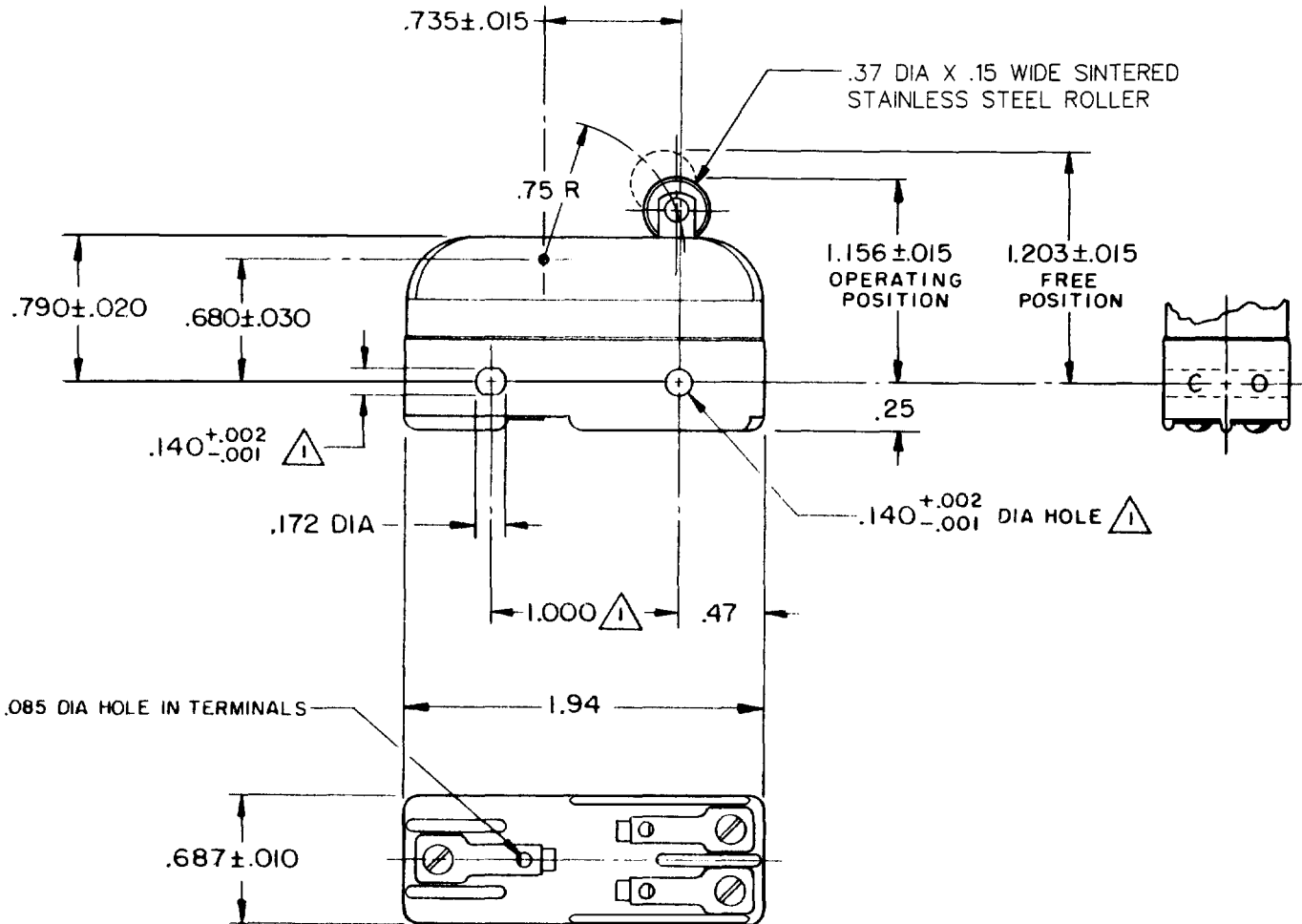
FED. MFG. CODE 91929

**SWITCH - BASIC**

CATALOG LISTING

**BZ - 2RM22**

CATALOG LISTING  
**BZ - 2RM22**  
PAGE 1 OF 1  
REPLACES  
ISSUE  
**M**  
10  
CHECK  
RELEASE NO.



REVISIONS

A	CO17410	GCH	23 SEP 63
B	CO-75204-R	SAV	1 FEB 94
C	CO-77591	DAW	22 JAN 94
D	CO93346	DLT	10 SEP 98
E	CO-94212-L	DLM	8 FEB 00

CHECK  
26, SEPT 63  
DAW

CHECK  
23 SEP 63

FORMTEK  
DRAWN  
GCH  
23 SEP 63

**NOTE**  
▲ MOUNTING HOLES WILL ACCEPT PINS OR SCREWS OF .139 MAX DIA ON 1.000±.002 CENTERS

THIS DRAWING COVERS A PROPRIETARY ITEM AND IS THE PROPERTY OF MICRO SWITCH, A DIVISION OF HONEYWELL. THIS DRAWING IS NOT TO BE COPIED OR USED WITHOUT THE APPROVAL OF MICRO SWITCH.

THIRD ANGLE PROJECTION

CHARACTERISTICS
OPERATING FORCE ----- 19 OZ MAX
RELEASE FORCE ----- 6 OZ MIN
PRETRAVEL ----- .078 MAX
DIFFERENTIAL TRAVEL ---- .001-.011
OVERTRAVEL----- .078 MIN

ELECTRICAL DATA
CONTACT ARRANGEMENT <b>S P D T</b>
<b>UNDERWRITERS' LAB. INC. LISTED RATING</b>
-L96- 15 A - 125, 250, OR 480 VAC
1/2 A - 125 VDC; 1/4 A - 250 VDC
1/8 HP - 125 VAC; 1/4 HP - 250 VAC
-L288-
-L299-
-L306-
16A 250V ~ T85 5E4

SCALE	FULL	DO NOT SCALE PRINT
<b>UNLESS OTHERWISE SPECIFIED TOLERANCES ARE</b>		
ONE PLACE	(.0)	±.030
TWO PLACE	(.00)	±.015
THREE PLACE	(.000)	±.005
ANGLES		±
WEIGHT .063 LB		